



SP6003 Synchronous Rectifier Driver

APPLICATION INFORMATION

Predictive Timing Operation

The essence of SP6003, the predictive timing circuitry, is based on several U.S. patented technologies. This assures higher rectification efficiency by a) eliminating high cross conduction current under all operating conditions and b) significantly reducing the body diode conduction losses in the synchronous rectifier.

VDD Decoupling Capacitor

The IC is sensitive to large supply voltage ripple. If the IC drives a MOSFET with significant input capacitance, Ciss, the ripple due to gate drive energy transfer can create large ripple. Therefore, it is most suitable to add a high frequency decoupling ceramic capacitor of 0.01µF~0.1µF between Vdd to ground, and the capacitor should be placed as close proximity to the driver as possible.

Ramp Capacitor Selection (Cramp)

The ramp capacitor selection is frequency dependent. The capacitance selection should be made in according to the plot below:

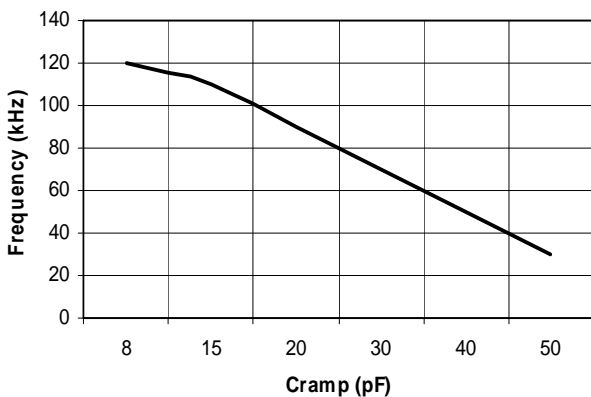


Fig. 1

The ramp capacitor selection is dependant on the range of the On and OFF times of the synchronous rectifier. In most application it is necessary to work to a narrow duty cycle. The ramp capacitor voltage charges from about 0.7 volts during the ON time. The charging current is 80 µA. For proper operation of the internal timing it is necessary to limit the ramp amplitude to 3.8 volts. This voltage limits and the maximum ramp ON

time sets the minimum size capacitor needed. Since it is usually desirable to achieve proper operation down to essentially zero duty cycle, the capacitor minimum size can be represented as a function of frequency.

$$C_{min} = I_{charge} * dT/dV = I_{charge}/F/dV;$$

Since $I_{charge} = 80\mu A$ & $dV=3.8V-0.7V$,

$$C_{min}=2.66*10^{-5}/F$$

A capacitor size should be selected to meet the above criteria including the frequency tolerance and the capacitor tolerance over temperature. The criterion for the maximum suitable capacitance is less precise because it is driven by noise constraints. If a larger capacitor is chosen, the ramp voltage becomes lower and there is more jitter on the pulse width due to noise. It is usually advantageous to operate with as high a ramp voltage as possible for this reason. The minimum ramp amplitude occurs at the maximum converter operating duty cycle because this is when the MOSFET is conducting for the shortest period of time. For converters that need to be able to operate to a wider duty cycle, the capacitance should be close to the minimum calculated above to prevent noise problems.

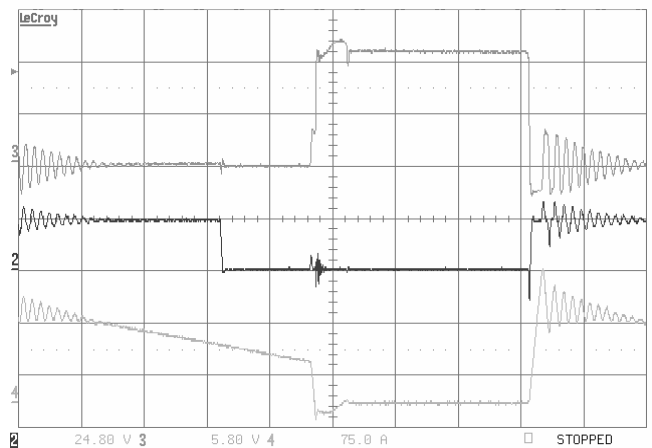


Fig. 2

Figure 2 illustrates the characteristic waveforms of a flyback converter with input voltage of 110VAC.



SP6003 Synchronous Rectifier Driver

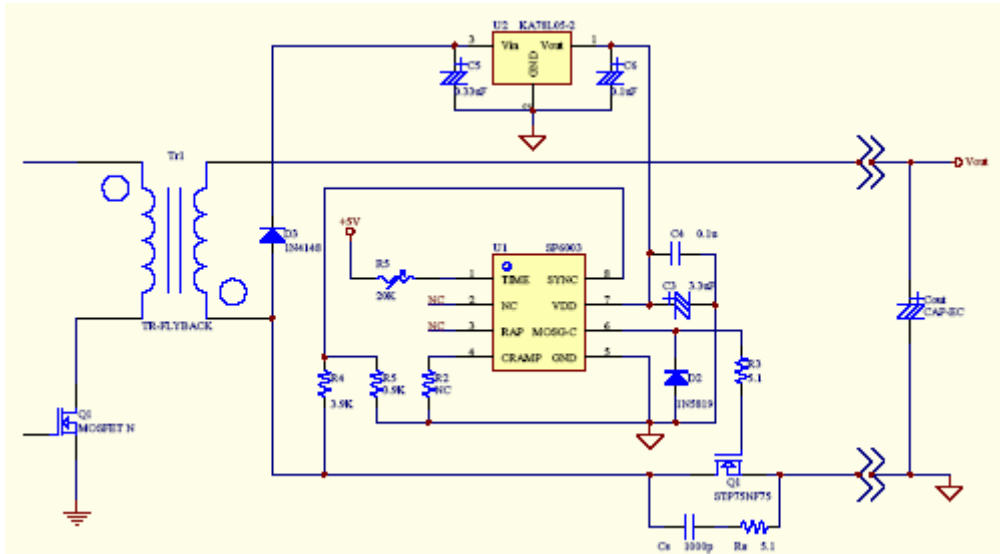


Fig. 3: Application Schematic

Channel 3 (2µs/DIV & 2V/DIV) indicates the SYNC voltage on the secondary side of a flyback transformer at 77 kHz, channel 2 (2µs/DIV & 5V/DIV) is the SP6003 output pin, MOSG-C, connects to the gate of MOSFET, and channel 4 (2µs/DIV & 10A/DIV) designates the input current (I_D). Notice the timing gap between the falling edge of MOSG-C and the rising edge of SYNC is 3.5µs with no ramp capacitor connected. Figure 3 is the equivalent circuit for this particular application.

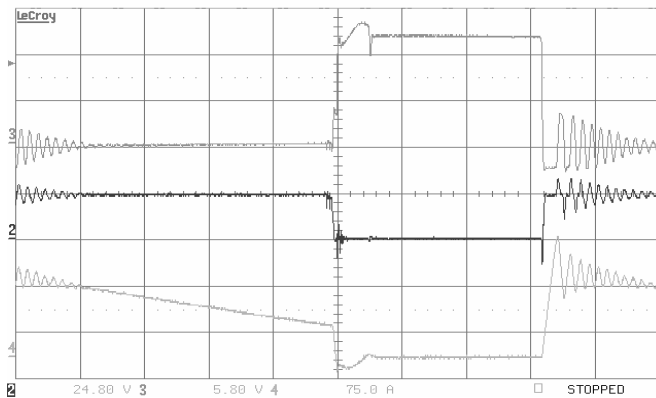


Fig. 4

With 33pF added to C_{ramp} pin with respect to ground, the timing gap immediately shortens and the ON time of the gate increased from 8.2µs to 11.6µs, as shown in figure 4. Thus, the efficiency is improved by approximately 0.65%. The output for this converter is set at 5V/8A.

For typical flyback application with 50 kHz to 120 kHz operations, a ramp capacitor value of 10 pF to 47pF is recommended. This allows the gate ON time to reach 10-12 microseconds for narrow pulse widths.

Timing Adjustment

The Timing pin provides adjustment of the patented dv/dt filter circuit that differentiates between the real power and ring-back no-power transformer secondary voltage positive waveform. Under light or no load conditions, the output current will be discontinuous. For that condition the transformer voltage “rings” back positive. The SP6003 detects positive transformer secondary voltage to establish power transmission, and determines the SR MOSFET turn ON time. However, it is not desirable to turn on the MOSFET during the “ring-back”. The dv/dt filter detects the true power pulse from the “ring-back”.

- Connect resistor to V_{DD} .

The first option is the nominal setting. For this condition, the Timing pin is left open or no connection. In result, the ON time of MOSG-C should be turned ON at every cycle. If not, the timing needs to be adjusted. Figure 5 illustrates an example of several ON time cycles missing:



SP6003 Synchronous Rectifier Driver

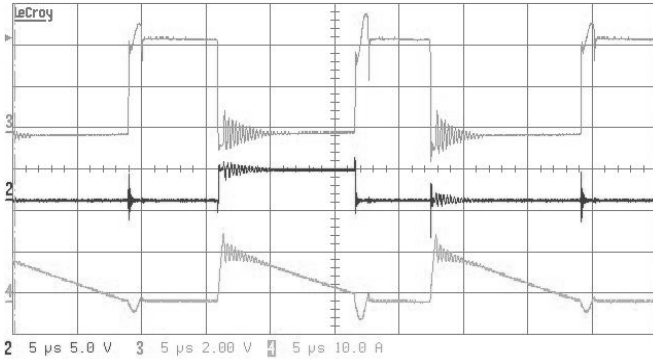


Fig. 5

The Timing adjustment should be performed under heavy load circumstance. A variable resistor, 0~20K Ω , is connected from Timing pin to VDD and adjust the variable resistor until the waveform at MOSG-C pin appears in every cycle. If this is unable to achieve, connect the variable resistor to ground and follow the same procedures. But be careful, once the correct resistor value is exceeded, more ON time cycles will appear during oscillation. It is best to eliminate these.

Once the variable resistor is adjusted to the correct value, the output waveform of pin MOSG-C should be ON at every cycle as shown in Figure 6. Then measure the resistance of the variable resistor. The typical value is between 7K Ω to 10K Ω .

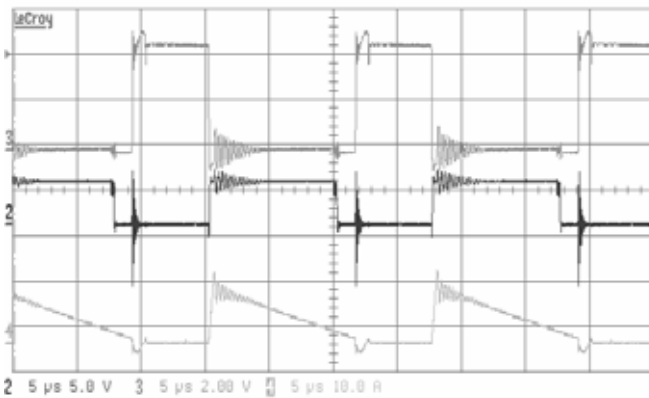


Fig. 6

For light load condition, the equivalent waveform with correct resistor value connected to Timing pin is demonstrated in figure 7. The output of MOSG-C pin is turned ON at every cycle. Observe during “ring-back”, the MOSFET remains OFF. The dv/dt filter will differentiate between the true power pulses from the “ring-back” pulses.

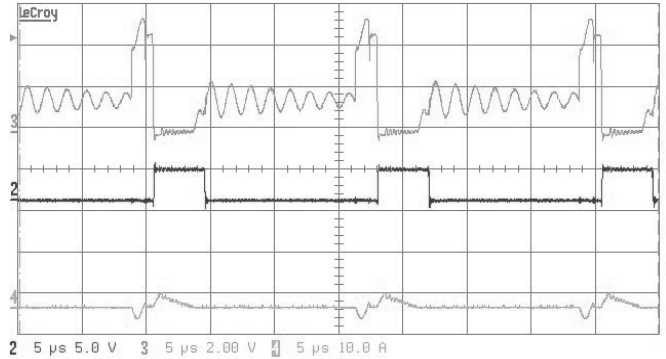


Fig. 7

SYNC Voltage

The Sync input voltage stands between VDD and VDD + 0.5 volts. It is necessary to use a resistor divider if the Sync voltage is much higher than 5 volts. R4 and R5 function as a voltage divider, in which the voltage from the secondary side of the transformer might reach as high as 40V-60V. The maximum allowable voltage for this pin is 7.5 volts. When the voltage is reached above this limit, the IC may suffer permanent damage. Therefore, it is recommended to insert a 1-5K Ω resistor in between Sync, Pin 1, to ground so the voltage can be lowered.

Here is another example of a 3.3V/3.69A output converter with everything adjusted at no load:

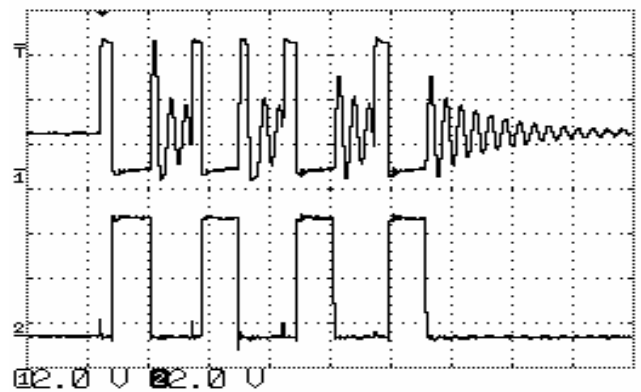


Fig. 8

In this application, the resistor for Timing pin is adjusted at 8.80K Ω to VDD and no Cramp capacitor is needed. The converter is using a green-mode PWM IC at primary side, and figure 8 demonstrates the output, MOSG-C (channel 2), during burst mode (channel 1).



SP6003 Synchronous Rectifier Driver

Rapid Adjustment

The internal "Rapid Adjustment" circuit initiates a delay to assure that the drive circuit will not false trigger when there is a very fast reduction in pulse width required in the pulse width modulation. This can occur in regulators for very high di/dt load changes demanded by such loads as microprocessors. False triggering could result in a high cross conduction current for a few nanoseconds. A capacitor can be connected among Rapid-Adj to ground that sets the amount of filtering. For most applications, a capacitor of 100 pF is suitable.

Alternate Power Source

For applications with single set of transformer output, a way to deliver power to the IC can be derived from the isolated secondary voltage via a voltage regulator KA7805 or 78L05 as shown in figure 3. KA7805 is selected in this application. An input (0.33uF) and output (0.1uF) capacitor is also required for the voltage regulator. This is an acceptable approach for voltages from 6.5 volts minimum ripple valley voltage to 35 volts maximum peak voltage.

Some converters have output rated at 5V, an alternate power source for the IC could be delivered from that source, figure 9 demonstrates this schematic:

MOSG-C

Since the output of this IC delivers a square wave of 0~5 volts at various frequencies, a logic level MOSFET is most applicable for the Synchronous Rectifiers. R3 is recommended at 5Ω and D2 is a small signal Schottky diode, such as BAT54, 1N5817, or 1N5819.

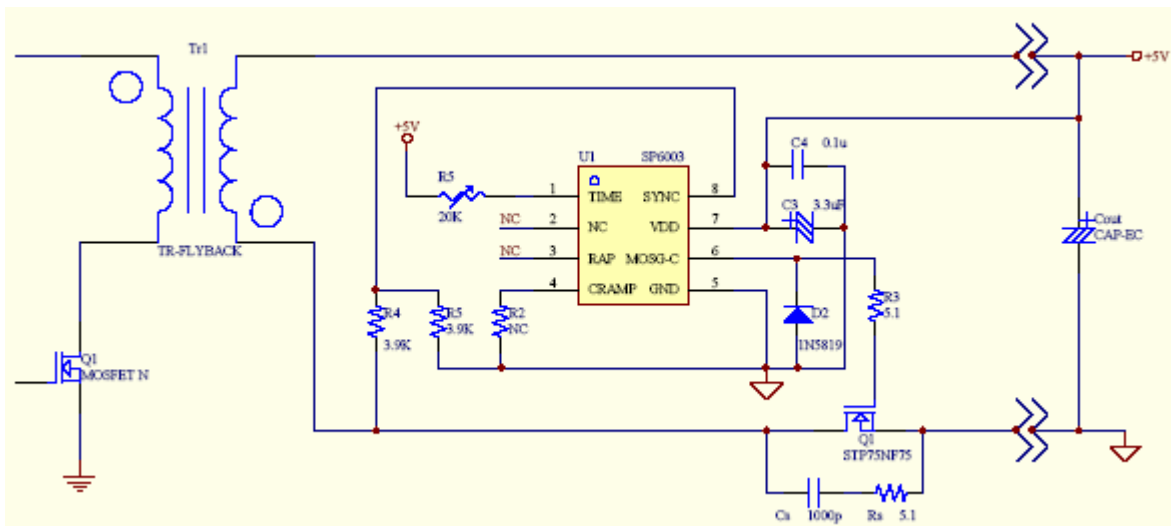


Fig. 9: Alternative Power Source Circuit



SP6003 Synchronous Rectifier Driver

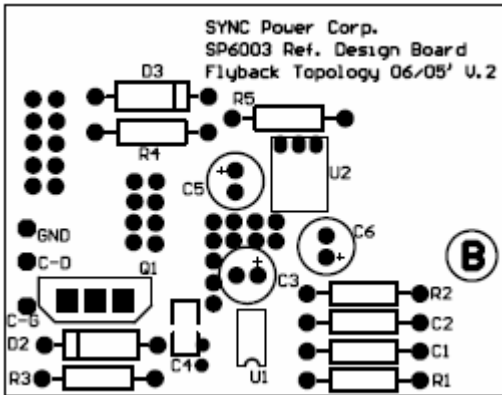


Fig. 10: Front View (4x its actual size)

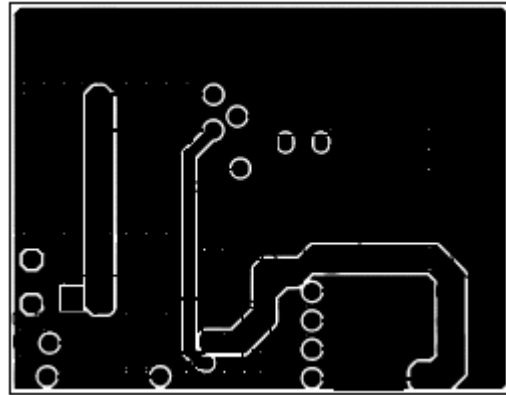


Fig. 11: Back View

Reference Design Board

There are a couple of necessary steps when installing the reference design board onto an existing flyback converter:

Step 1: Short out the existing Schottky diode.

Step 2: Find the ground connection from the output of the transformer and split it to two segments. When doing so, be as close to the transformer's output as possible and try to avoid contacts with any other components.

Step 3: Place any MOSFET with drain connecting to the output of the transformer and source to the other segment that was split from step 2. It is best if attached directly onto the PCB/converter directly. At this point, the gate should connect to source.

Step 4: Try turn on the converter and it should be able to generate output, even though it is using the body diode of the MOSFET to conduct.

Step 5: Remove the MOSFET from step 4 and place the reference design board by attaching the drain and source of the MOSFET from the reference board to the converter.

Step 6: Voltage divider. In most application, the peak input voltage is more than 25 volts into pin 8, SYNC; the recommended voltage at this pin is 5-7.5 volts. R4 & R5 can be used as voltage divider, since R4 is

connected in between and R5 is tied to GND. Two 3.3-3.9K resistors are used for default settings.

Step 7: Timing adjustment. Use an electronic scope to probe the drain and gate of the MOSFET to monitor the waveforms when doing so. This adjustment is purely application dependent. Normal application should connect a 7-15K resistor to V_{dd} for input frequency range from 60-80KHz.

Once on the converter, if there is no output from MOSG-C, R_{Timing} needs to be adjusted to a higher value. On the other hand, during oscillation, if excessive ON time is appeared, such as below, the value of this resistor should be lowered.



SP6003 Synchronous Rectifier Driver

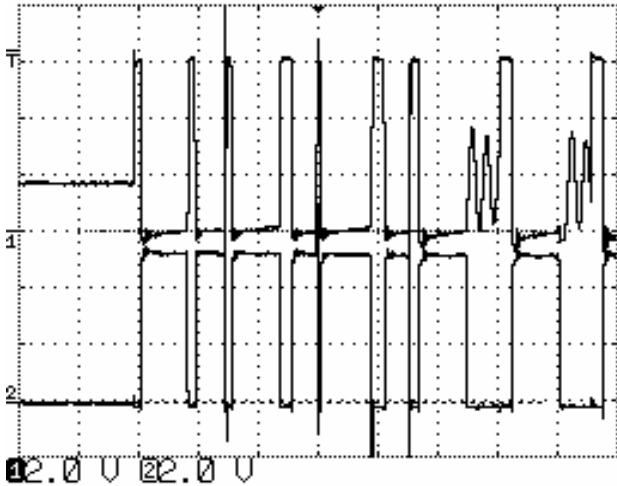


Fig. 12

Channel 1 illustrates the drain and channel 2 is the gate of the MOSFET. Notice that when the value of R_{Timing} is higher than it should be, this will affect the waveform on the drain side. Start this adjustment at no load or light load condition. When it is adjusted properly, it should look as follows:



Fig. 13

Step 8: Cramp selection. The size of this capacitor is frequency dependent. The recommended value ranges from 10pF to 100pF. Please refer to page 1 for more details.

Optional Settings

On the reference board, there are two optional pins with * designated, *Vdd and *Catch Gate. *Vdd is directly connected to Vdd of the IC (pin 7) with another decoupling capacitor, Cd. It is for applications that enclose the ability to provide another voltage source of 5 volts, such as additional winding from the transformer. If this is the case, KA7805 / 78L05, Ci, Co, and D1 can be omitted.

The other optional pin is *Catch Gate, this pin is attached directly to the output, MOSG-C, which is the gate of the catch MOSFET. It is designed for applications with external MOSFET connection.



SP6003

Synchronous Rectifier Driver

Information provided is alleged to be exact and consistent. SYNC Power Corporation presumes no responsibility for the penalties of use of such information or for any violation of patents or other rights of third parties, which may result from its use. No license is granted by allegation or otherwise under any patent or patent rights of SYNC Power Corporation. Conditions mentioned in this publication are subject to change without notice. This publication surpasses and replaces all information previously supplied. SYNC Power Corporation products are not authorized for use as critical components in life support devices or systems without express written approval of SYNC Power Corporation.

©The SYNC Power logo is a registered trademark of SYNC Power Corporation
©2004 SYNC Power Corporation – Printed in Taiwan – All Rights Reserved
SYNC Power Corporation
9F-5, No.3-2, Park Street
NanKang District (NKSP), Taipei, Taiwan, 115, R.O.C
Phone: 886-2-2655-8178
Fax: 886-2-2655-8468
<http://www.syncpower.com>