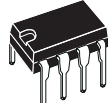


## POWER FACTOR CORRECTOR

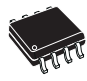
- VERY PRECISE ADJUSTABLE OUTPUT OVERVOLTAGE PROTECTION
- MICRO POWER START-UP CURRENT (50µA TYP.)
- VERY LOW OPERATING SUPPLY CURRENT(4mA TYP.)
- INTERNAL START-UP TIMER
- CURRENT SENSE FILTER ON CHIP
- DISABLE FUNCTION
- 1% PRECISION (@  $T_j = 25^\circ\text{C}$ ) INTERNAL REFERENCE VOLTAGE
- TRANSITION MODE OPERATION
- TOTEM POLE OUTPUT CURRENT:  $\pm 400\text{mA}$
- DIP8/SO8 PACKAGES

### DESCRIPTION

L6561 is the improved version of the L6560 standard Power Factor Corrector. Fully compatible with the standard version, it has a superior performant multiplier making the device capable of working in wide input voltage range applications (from 85V to 265V) with an excellent THD. Furthermore the start up current has been reduced at few tens of  $\mu\text{A}$  and a disable function has been implemented on the ZCD pin, guaranteeing lower current



**Minidip(DIP8)**



**SO8**

**ORDERING NUMBERS:**

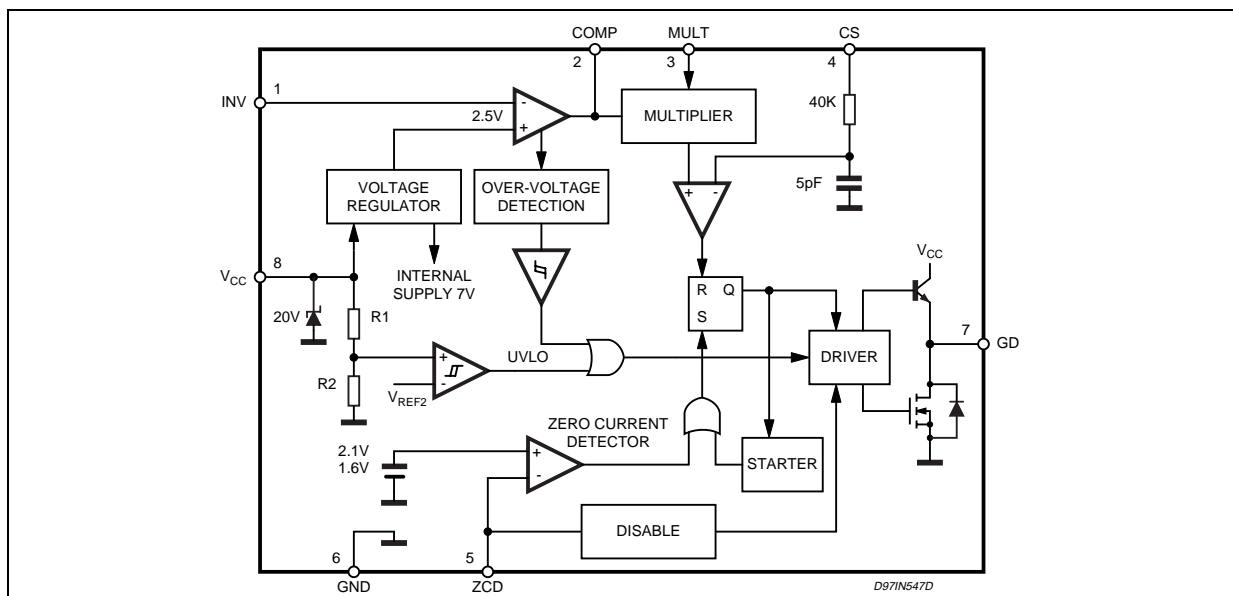
L6561	L6561D
	L6561D013TR

consumption in stand by mode. Realised in mixed BCD technology, the chip gives the following benefits:

- **micro power start up current**
- **1% precision internal reference voltage ( $T_j = 25^\circ\text{C}$ )**
- **Soft Output Over Voltage Protection**
- **no need for external low pass filter on the current sense**
- **very low operating quiescent current minimises power dissipation**

The totem pole output stage is capable of driving a Power MOS or IGBT with source and sink currents of  $\pm 400\text{mA}$ . The device is operating in transition mode and it is optimised for Electronic Lamp Ballast application, AC-DC adaptors and SMPS.

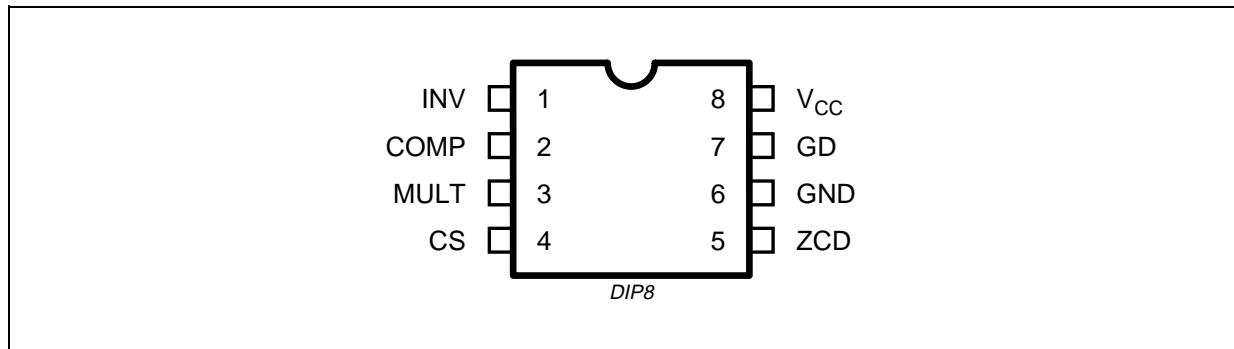
### BLOCK DIAGRAM



**ABSOLUTE MAXIMUM RATINGS**

Symbol	Pin	Parameter	Value	Unit
$I_{VCC}$	8	$I_q + I_z$ ; ( $I_{GD} = 0$ )	30	mA
$I_{GD}$	7	Output Totem Pole Peak Current (2 $\mu$ s)	$\pm 700$	mA
INV, COMP MULT	1, 2, 3	Analog Inputs & Outputs	-0.3 to 7	V
CS	4	Current Sense Input	-0.3 to 7	V
ZCD	5	Zero Current Detector	50 (source) -10 (sink)	mA mA
$P_{tot}$		Power Dissipation @ $T_{amb} = 50\text{ }^\circ\text{C}$	1 0.65	W W
$T_j$		Junction Temperature Operating Range	-40 to 150	$^\circ\text{C}$
$T_{stg}$		Storage Temperature	-55 to 150	$^\circ\text{C}$

**PIN CONNECTION** (Top view)



**THERMAL DATA**

Symbol	Parameter	SO 8	MINIDIP	Unit
$R_{th\ j-amb}$	Thermal Resistance Junction to ambient	150	100	$^\circ\text{C/W}$

**PIN DESCRIPTION**

N.	Name	Function
1	INV	Inverting input of the error amplifier. A resistive divider is connected between the output regulated voltage and this point, to provide voltage feedback.
2	COMP	Output of error amplifier. A feedback compensation network is placed between this pin and the INV pin.
3	MULT	Input of the multiplier stage. A resistive divider connects to this pin the rectified mains. A voltage signal, proportional to the rectified mains, appears on this pin.
4	CS	Input to the comparator of the control loop. The current is sensed by a resistor and the resulting voltage is applied to this pin.
5	ZCD	Zero current detection input. If it is connected to GND, the device is disabled.
6	GND	Current return for driver and control circuits.
7	GD	Gate driver output. A push pull output stage is able to drive the Power MOS with peak current of 400mA (source and sink).
8	VCC	Supply voltage of driver and control circuits.

**ELECTRICAL CHARACTERISTICS**(V<sub>CC</sub> = 14.5V; T<sub>amb</sub> = -25°C to 125°C; unless otherwise specified)

Symbol	Pin	Parameter	Test Condition	Min.	Typ.	Max.	Unit
<b>SUPPLY VOLTAGE SECTION</b>							
V <sub>CC</sub>	8	Operating Range	after turn-on	11		18	V
V <sub>CC ON</sub>	8	Turn-on Threshold		11	12	13	V
V <sub>CC OFF</sub>	8	Turn-off Threshold		8.7	9.5	10.3	V
Hys	8	Hysteresis		2.2	2.5	2.8	V
<b>SUPPLY CURRENT SECTION</b>							
I <sub>START-U</sub>	8	Start-up Current	before turn-on (V <sub>CC</sub> = 11V)	20	50	90	μA
I <sub>q</sub>	8	Quiescent Current			2.6	4	mA
I <sub>CC</sub>	8	Operating Supply Current	C <sub>L</sub> = 1nF @ 70KHz		4	5.5	mA
			in OVP condition V <sub>pin1</sub> = 2.7V		1.4	2.1	mA
I <sub>q</sub>	8	Quiescent Current	V <sub>PIN5</sub> ≤ 150mV, V <sub>CC</sub> > V <sub>CC off</sub>		1.4	2.1	mA
	8		V <sub>PIN5</sub> ≤ 150mV, V <sub>CC</sub> < V <sub>CC off</sub>	20	50	90	μA
V <sub>Z</sub>	8	Zener Voltage	I <sub>CC</sub> = 25mA	18	20	22	V
<b>ERROR AMPLIFIER SECTION</b>							
V <sub>INV</sub>	1	Voltage Feedback Input Threshold	T <sub>amb</sub> = 25°C	2.465	2.5	2.535	V
			12V < V <sub>CC</sub> < 18V	2.44		2.56	V
		Line Regulation	V <sub>CC</sub> = 12 to 18V		2	5	mV
I <sub>INV</sub>	1	Input Bias Current			-0.1	-1	μA
G <sub>V</sub>		Voltage Gain	Open loop	60	80		dB
GB		Gain Bandwidth			1		MHz
I <sub>COMP</sub>	2	Source Current	V <sub>COMP</sub> = 4V, V <sub>INV</sub> = 2.4V	-2	-4	-8	mA
		Sink Current	V <sub>COMP</sub> = 4V, V <sub>INV</sub> = 2.6V	2.5	4.5		mA
V <sub>COMP</sub>	2	Upper Clamp Voltage	I <sub>SOURCE</sub> = 0.5mA		5.8		V
		Lower Clamp Voltage	I <sub>SINK</sub> = 0.5mA		2.25		V
<b>MULTIPLIER SECTION</b>							
V <sub>MULT</sub>	3	Linear Operating Voltage		0 to 3	0 to 3.5		V
$\frac{\Delta V_{CS}}{\Delta V_{mult}}$		Output Max. Slope	V <sub>MULT</sub> = from 0V to 0.5V V <sub>COMP</sub> = Upper Clamp Voltage	1.65	1.9		
K		Gain	V <sub>MULT</sub> = 1V V <sub>COMP</sub> = 4V	0.45	0.6	0.75	1/V
<b>CURRENT SENSE COMPARATOR</b>							
V <sub>CS</sub>	4	Current Sense Reference Clamp	V <sub>MULT</sub> = 2.5V V <sub>COMP</sub> = Upper Clamp Voltage	1.6	1.7	1.8	V
I <sub>CS</sub>	4	Input Bias Current	V <sub>OS</sub> = 0		-0.05	-1	μA
t <sub>d</sub> (H-L)	4	Delay to Output			200	450	ns
	4	Current Sense Offset			0	15	mV
<b>ZERO CURRENT DETECTOR</b>							
V <sub>ZCD</sub>	5	Input Threshold Voltage Rising Edge	(1)		2.1		V
		Hysteresis	(1)	0.3	0.5	0.7	V
V <sub>ZCD</sub>	5	Upper Clamp Voltage	I <sub>ZCD</sub> = 20μA	4.5	5.1	5.9	V
V <sub>ZCD</sub>	5	Upper Clamp Voltage	I <sub>ZCD</sub> = 3mA	4.7	5.2	6.1	V

**ELECTRICAL CHARACTERISTICS** (continued)(V<sub>CC</sub> = 14.5V; T<sub>amb</sub> = -25°C to 125°C; unless otherwise specified)

Symbol	Pin	Parameter	Test Condition	Min.	Typ.	Max.	Unit
V <sub>ZCD</sub>	5	Lower Clamp Voltage	I <sub>ZCD</sub> = -3mA	0.3	0.65	1	V
I <sub>ZCD</sub>	5	Sink Bias Current	1V ≤ V <sub>ZCD</sub> ≤ 4.5V		2		μA
I <sub>ZCD</sub>	5	Source Current Capability		-3		-10	mA
I <sub>ZCD</sub>	5	Sink Current Capability		3		10	mA
V <sub>DIS</sub>	5	Disable threshold		150	200	250	mV
I <sub>ZCD</sub>	5	Restart Current After Disable	V <sub>ZCD</sub> < V <sub>dis</sub> ; V <sub>CC</sub> > V <sub>CCOFF</sub>	-100	-200	-300	μA
<b>OUTPUT SECTION</b>							
V <sub>GD</sub>	7	Dropout Voltage	I <sub>GDsource</sub> = 200mA		1.2	2	V
			I <sub>GDsource</sub> = 20mA		0.7	1	V
			I <sub>GDsink</sub> = 200mA			1.5	V
			I <sub>GDsink</sub> = 20mA			0.3	V
t <sub>r</sub>	7	Output Voltage Rise Time	C <sub>L</sub> = 1nF		40	100	ns
t <sub>f</sub>	7	Output Voltage Fall Time	C <sub>L</sub> = 1nF		40	100	ns
I <sub>GD off</sub>	7	IGD Sink Current	V <sub>CC</sub> = 3.5V V <sub>GD</sub> = 1V	5	10	-	mA
<b>OUTPUT OVERVOLTAGE SECTION</b>							
I <sub>OVP</sub>	2	OVP Triggering Current		35	40	45	μA
		Static OVP Threshold		2.1	2.25	2.4	V
<b>RESTART TIMER</b>							
t <sub>START</sub>		Start Timer		70	150	400	μs

(1) Parameter guaranteed by design, not tested in production.

**OVER VOLTAGE PROTECTION OVP**

The output voltage is expected to be kept by the operation of the PFC circuit close to its nominal value. This is set by the ratio of the two external resistors R1 and R2 (see fig. 2), taking into consideration that the non inverting input of the error amplifier is biased inside the L6561 at 2.5V.

In steady state conditions, the current through R1 and R2 is:

$$I_{R1sc} = \frac{V_{out} - 2.5}{R1} = I_{R2} = \frac{2.5V}{R2}$$

and, if the external compensation network is made only with a capacitor C<sub>comp</sub>, the current through C<sub>comp</sub> equals zero. When the output voltage increases abruptly the current through R1 becomes:

$$I_{R1} = \frac{V_{outsc} + \Delta V_{out} - 2.5}{R1} = I_{R1sc} + \Delta I_{R1}$$

Since the current through R2 does not change, ΔI<sub>R1</sub> must flow through the capacitor C<sub>comp</sub> and enter the error amplifier.

This current is monitored inside the L6561 and when reaches about 37μA the output voltage of the multiplier is forced to decrease, thus reducing the energy drawn from the mains. If the current exceeds 40μA, the OVP protection is triggered (Dynamic OVP), and the external power transistor is switched off until the current falls approximately below 10μA.

However, if the overvoltage persists, an internal comparator (Static OVP) confirms the OVP condition keeping the external power switch turned off (see fig. 1). Finally, the overvoltage that triggers the OVP function is:

$$\Delta V_{out} = R1 \cdot 40\mu A.$$

Typical values for  $R_1$ ,  $R_2$  and  $C$  are shown in the application circuits. The overvoltage can be set independently from the average output voltage. The precision in setting the overvoltage threshold is 7% of the overvoltage value (for instance  $\Delta V = 60V \pm 4.2V$ ).

### Disable function

The zero current detector (ZCD) pin can be used for device disabling as well. By grounding the ZCD voltage the device is disabled reducing the supply current consumption at 1.4mA typical (@ 14.5V supply voltage).

Releasing the ZCD pin the internal start-up timer will restart the device.

Figure 1.

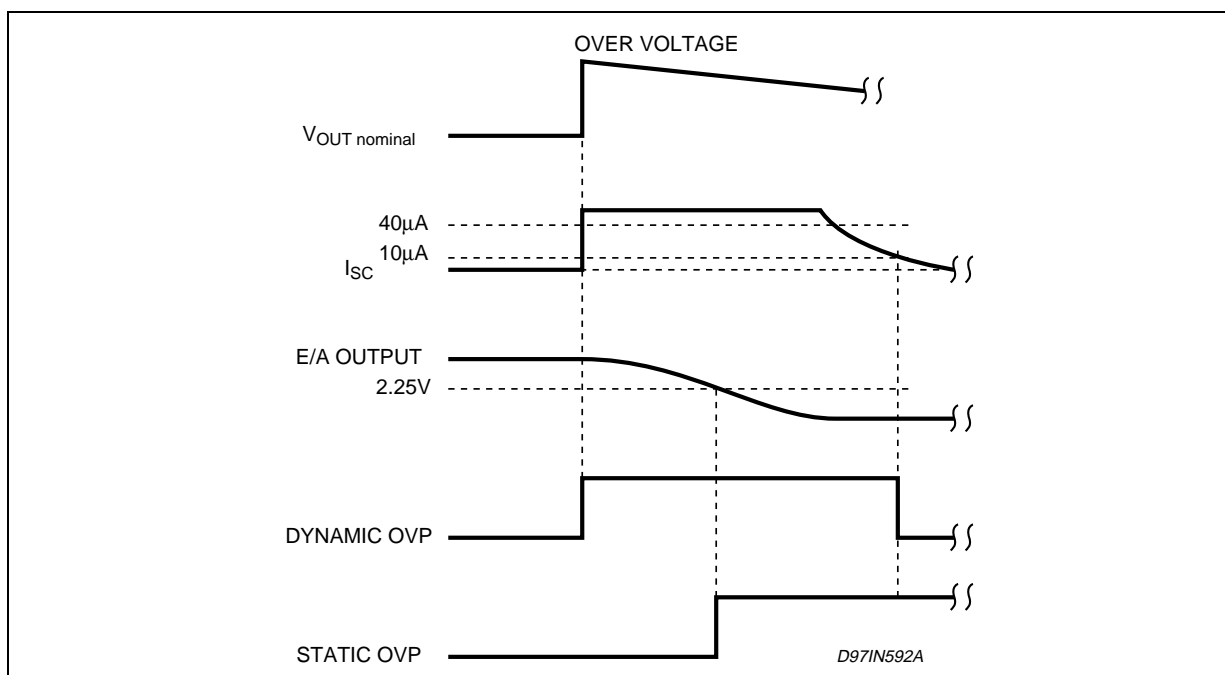


Figure 2. Overvoltage Protection Circuit

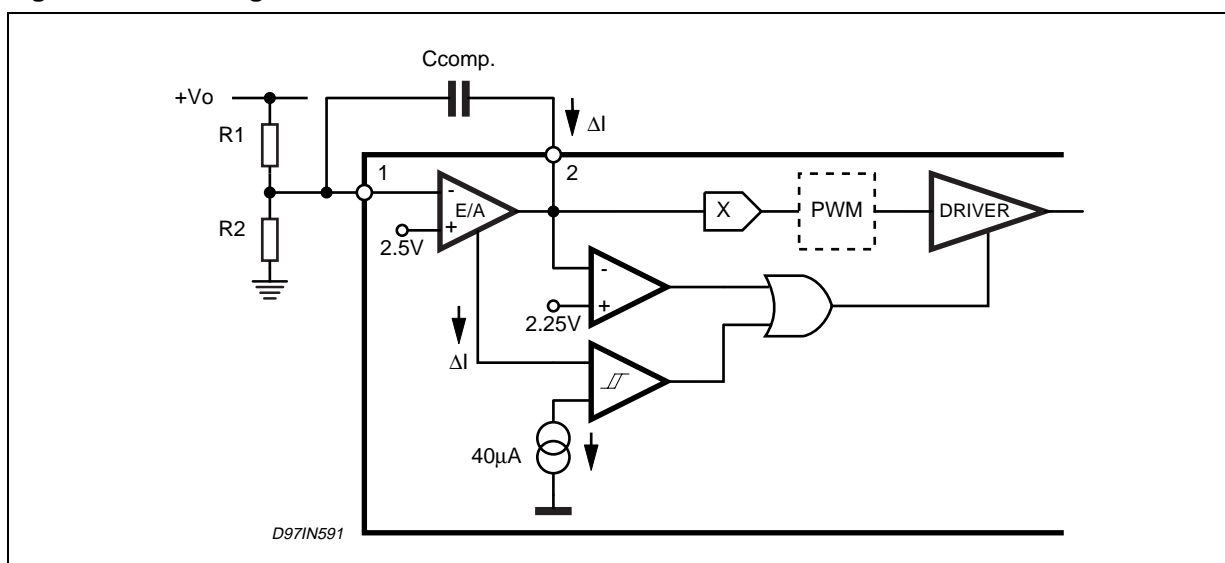


Figure 3. Typical Application Circuit (80W, 110VAC)

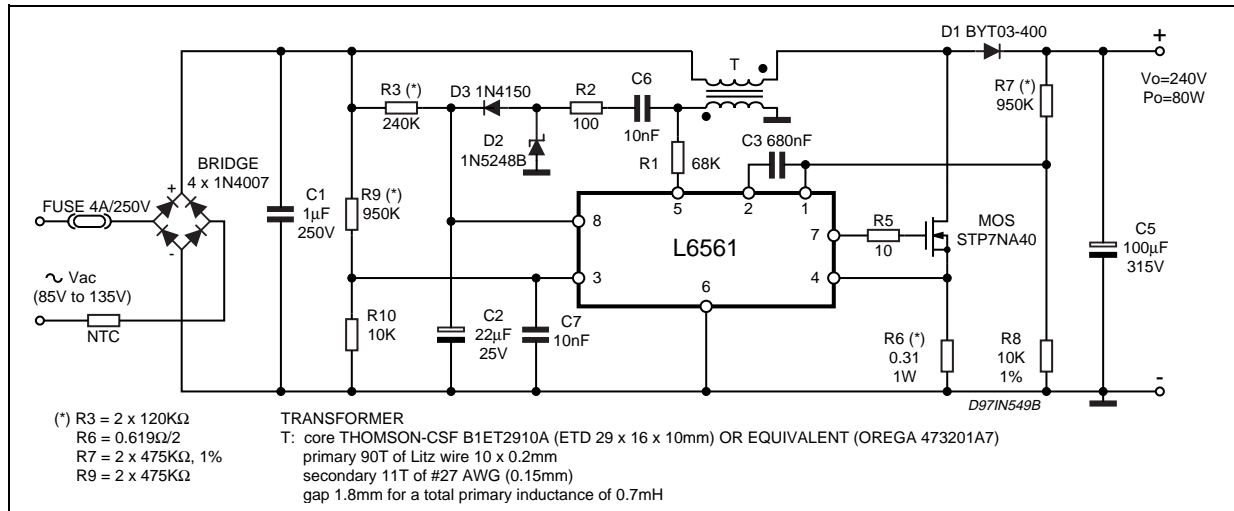


Figure 4. Typical Application Circuit (120W, 220VAC)

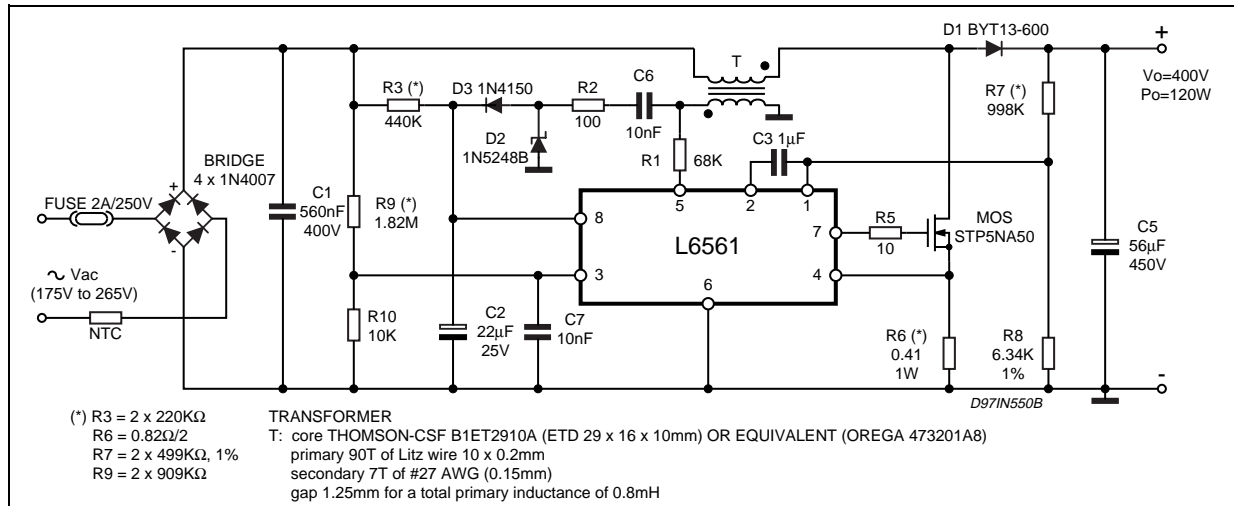


Figure 5. Typical Application Circuit (80W, Wide-range Mains)

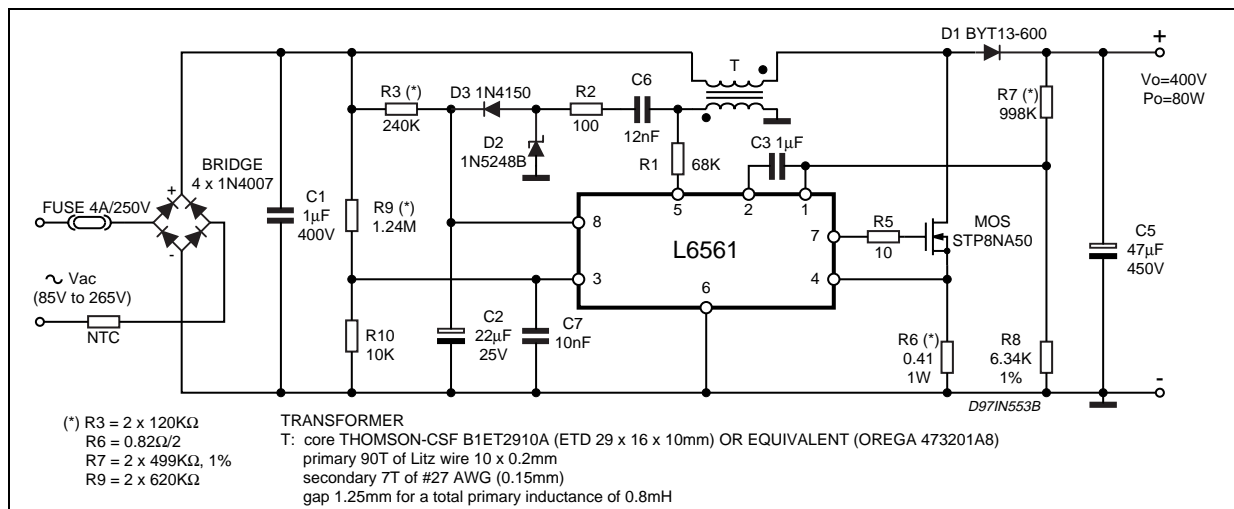


Figure 6. Demo Board (EVAL6561-80) Electrical Schematic

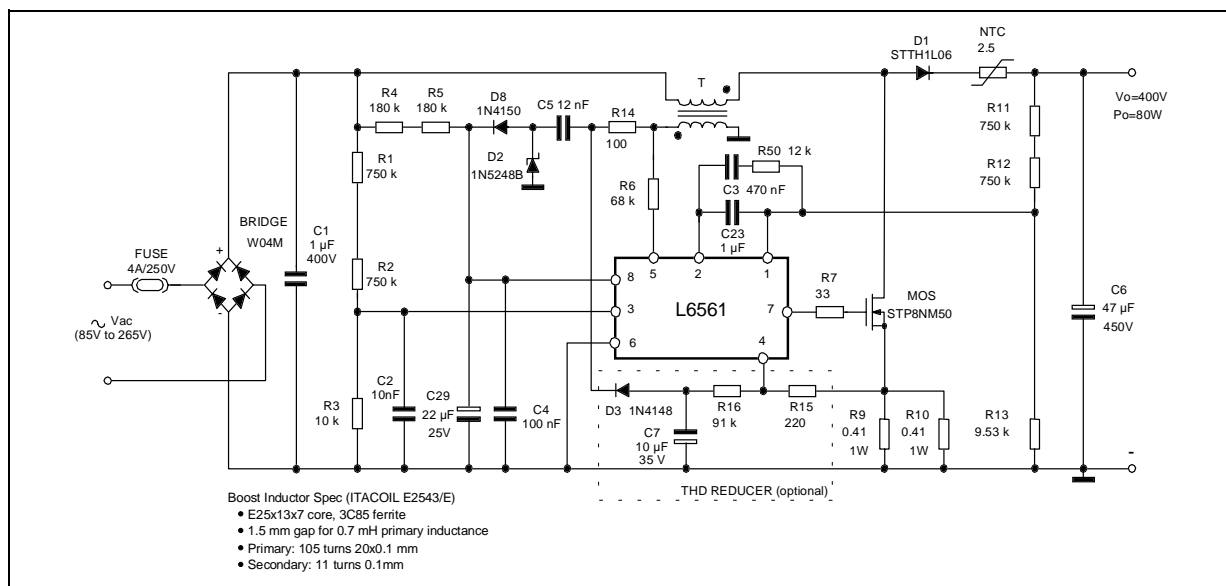


Figure 7. EVAL6561-80: PCB and Component Layout (Top view, real size 57x108mm)

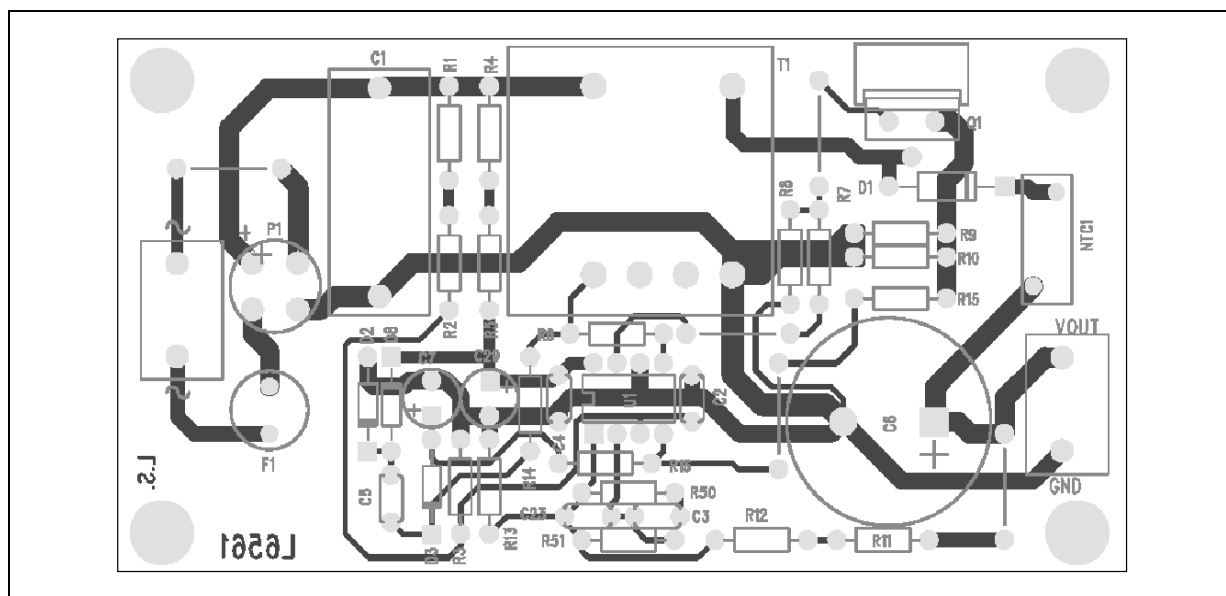


Table 1. EVAL6561-80: Evaluation Results.

V <sub>in</sub> (Vac)	Pin (W)	V <sub>o</sub> (Vdc)	ΔV <sub>o</sub> (Vdc)	P <sub>o</sub> (W)	η (%)	w/o THD reducer		with THD reducer	
						PF	THD (%)	PF	THD (%)
85	87.2	400.1	14	80.7	92.8	0.999	3.7	0.999	2.9
110	85.2	400.1	14	80.7	94.7	0.996	5.0	0.996	3.2
135	84.2	400.1	14	80.7	95.8	0.989	6.2	0.989	3.7
175	83.5	400.1	14	80.7	96.6	0.976	8.3	0.976	4.3
220	83.1	400.1	14	80.7	97.1	0.940	10.7	0.941	5.6
265	82.9	400.1	14	80.7	97.3	0.890	13.7	0.893	8.1

Figure 8. OVP Current Threshold vs. Temperature

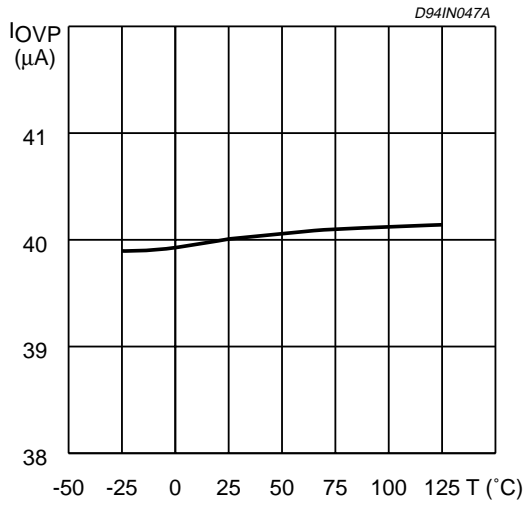


Figure 10. Supply Current vs. Supply Voltage

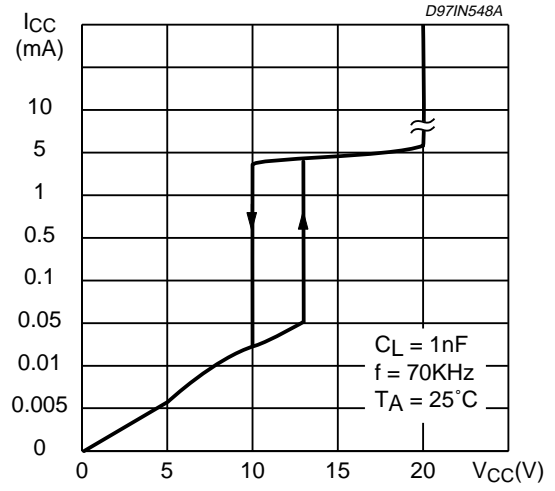


Figure 9. Undervoltage Lockout Threshold vs. Temperature

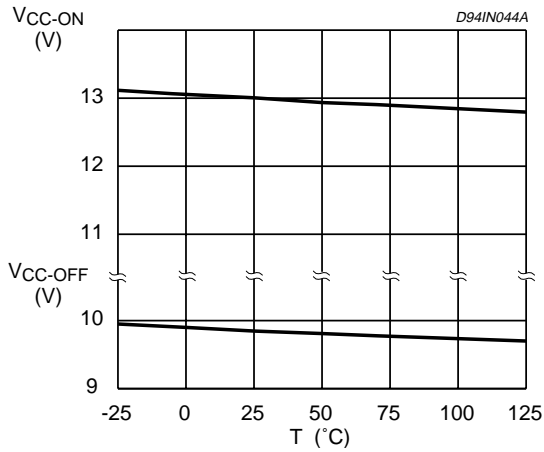
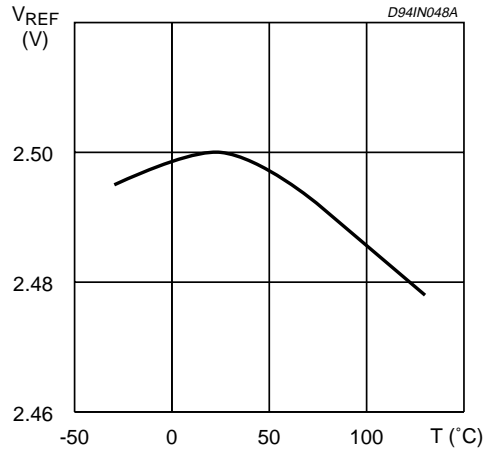
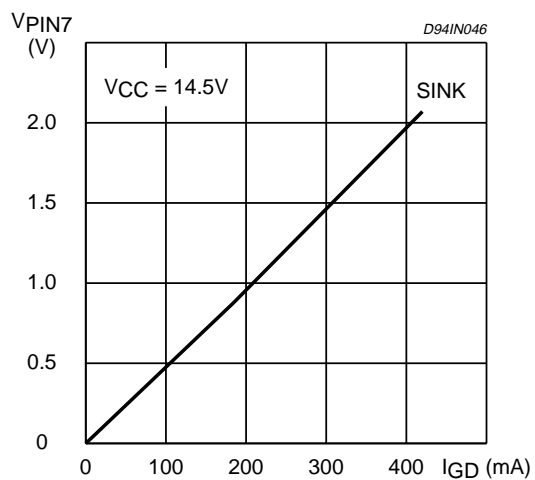


Figure 11. Voltage Feedback Input Threshold vs. Temperature

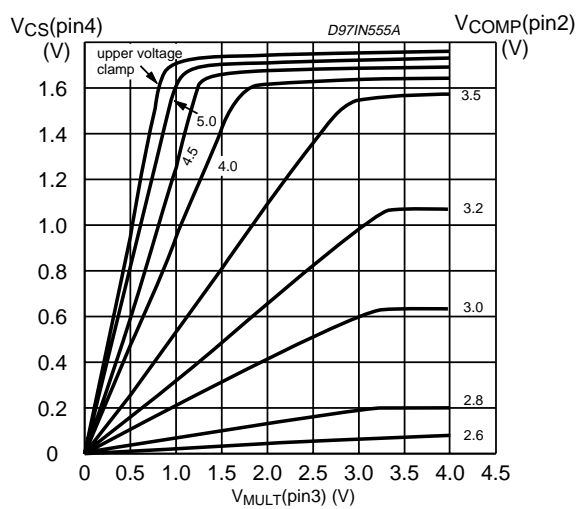




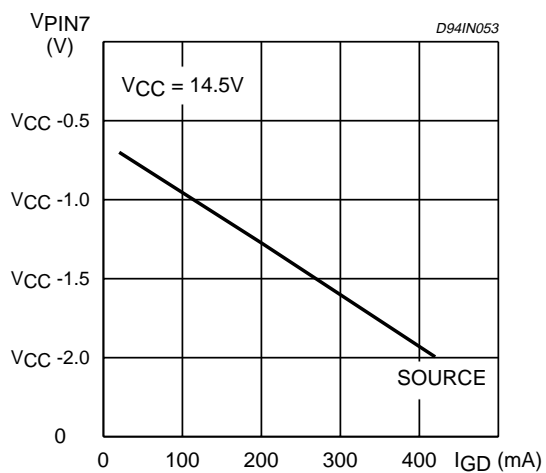
**Figure 12. Output Saturation Voltage vs. Sink Current**



**Figure 14. Multiplier Characteristics Family**

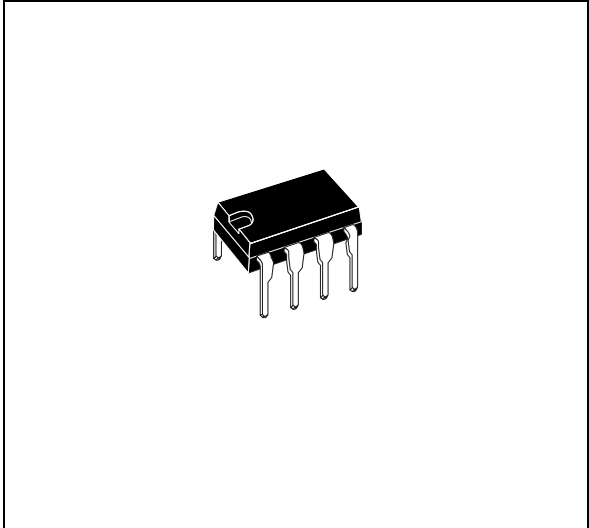


**Figure 13. Output Saturation Voltage vs. Source Current**

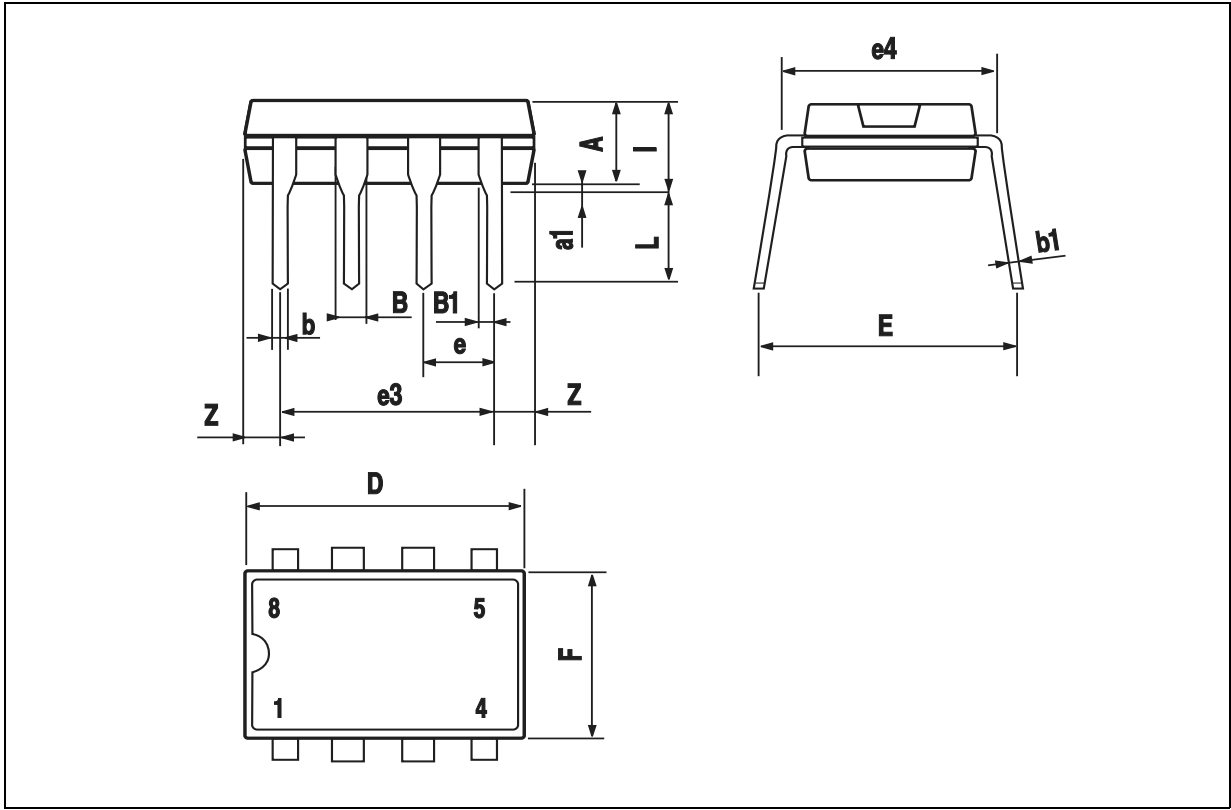


DIM.	mm			inch		
	MIN.	TYP.	MAX.	MIN.	TYP.	MAX.
A		3.32			0.131	
a1	0.51			0.020		
B	1.15		1.65	0.045		0.065
b	0.356		0.55	0.014		0.022
b1	0.204		0.304	0.008		0.012
D			10.92			0.430
E	7.95		9.75	0.313		0.384
e		2.54			0.100	
e3		7.62			0.300	
e4		7.62			0.300	
F			6.6			0.260
I			5.08			0.200
L	3.18		3.81	0.125		0.150
Z			1.52			0.060

**OUTLINE AND MECHANICAL DATA**

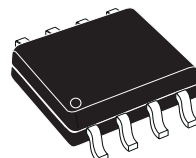


**Minidip**



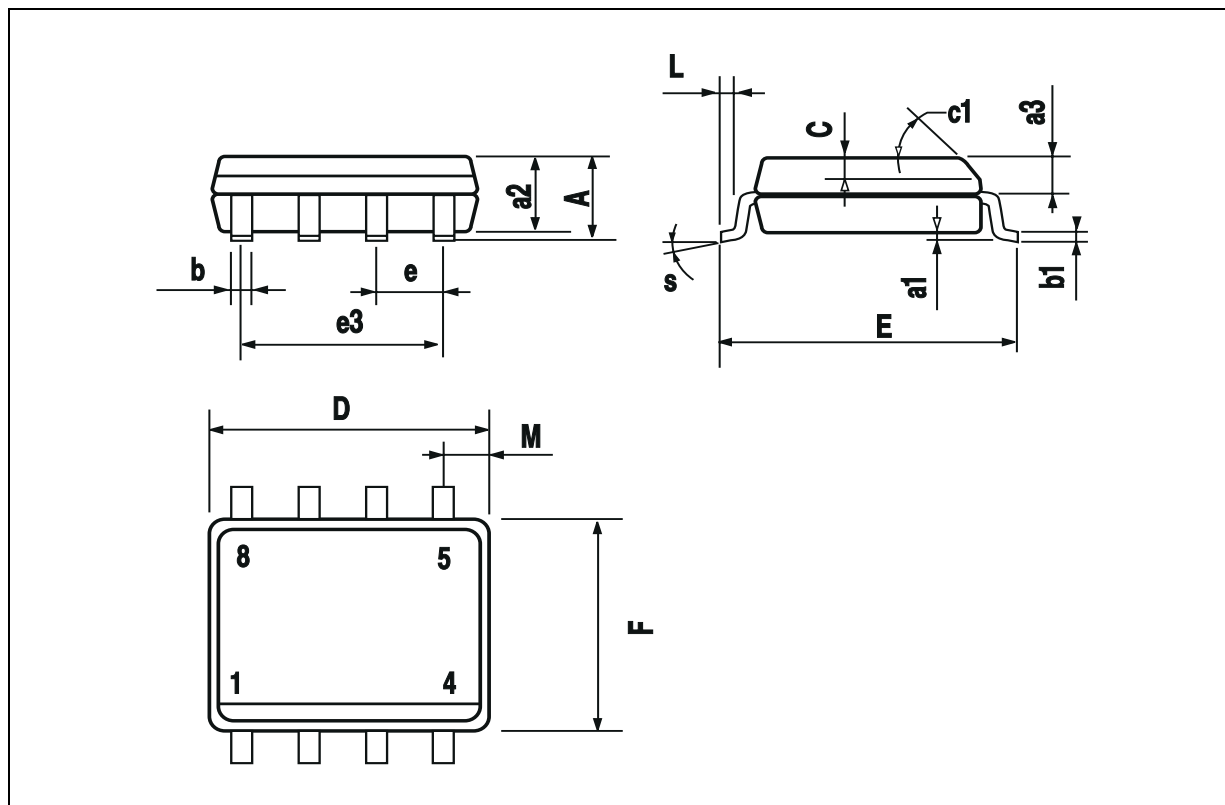
DIM.	mm			inch		
	MIN.	TYP.	MAX.	MIN.	TYP.	MAX.
A			1.75			0.069
a1	0.1		0.25	0.004		0.010
a2			1.65			0.065
a3	0.65		0.85	0.026		0.033
b	0.35		0.48	0.014		0.019
b1	0.19		0.25	0.007		0.010
C	0.25		0.5	0.010		0.020
c1	45° (typ.)					
D (1)	4.8		5.0	0.189		0.197
E	5.8		6.2	0.228		0.244
e		1.27			0.050	
e3		3.81			0.150	
F (1)	3.8		4.0	0.15		0.157
L	0.4		1.27	0.016		0.050
M			0.6			0.024
S	8° (max.)					

## OUTLINE AND MECHANICAL DATA



**SO8**

(1) D and F do not include mold flash or protrusions. Mold flash or protrusions shall not exceed 0.15mm (.006inch).



Information furnished is believed to be accurate and reliable. However, STMicroelectronics assumes no responsibility for the consequences of use of such information nor for any infringement of patents or other rights of third parties which may result from its use. No license is granted by implication or otherwise under any patent or patent rights of STMicroelectronics. Specifications mentioned in this publication are subject to change without notice. This publication supersedes and replaces all information previously supplied. STMicroelectronics products are not authorized for use as critical components in life support devices or systems without express written approval of STMicroelectronics.

STMicroelectronics acknowledges the trademarks of all companies referred to in this document.

The ST logo is a registered trademark of STMicroelectronics  
© 2003 STMicroelectronics - All Rights Reserved

STMicroelectronics GROUP OF COMPANIES  
Australia - Brazil - Canada - China - Finland - France - Germany - Hong Kong - India - Israel - Italy - Japan - Malaysia - Malta - Morocco -  
Singapore - Spain - Sweden - Switzerland - United Kingdom - United States.  
<http://www.st.com>