

6

5

4

3

2

1

D

D

C

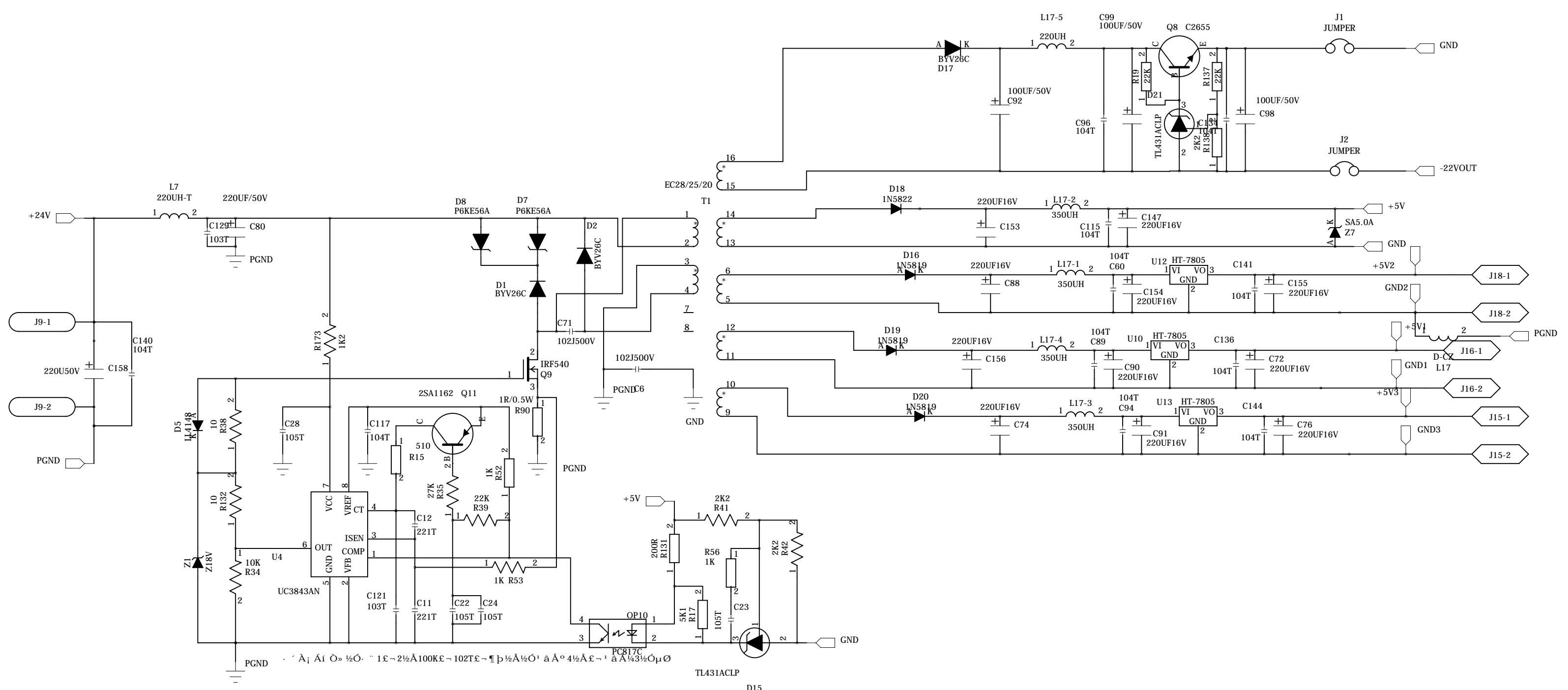
C

B

B

A

A



$\frac{1}{2} \epsilon < \bar{I} > \bar{O} \bar{A} \frac{1}{4} \mu \zeta \frac{1}{4} \zeta$
 $\bar{A} \bar{e} \bar{f} \frac{1}{4}$
 $\frac{3}{4} \bar{E} \mu \times \bar{I} \frac{1}{4} \times \bar{U} \circ \bar{A}$
 $\mu \times \bar{I} \frac{1}{4} \times \bar{U} \circ \bar{A}$
 $\zeta \circ \times \bar{O}$
 $\bar{E} \bar{O} \bar{A} \bar{U}$

$\mu \bar{U}$ $\bar{O} \bar{A}$