

APPENDIX 2 COMPLETE CIRCUIT DIAGRAM.

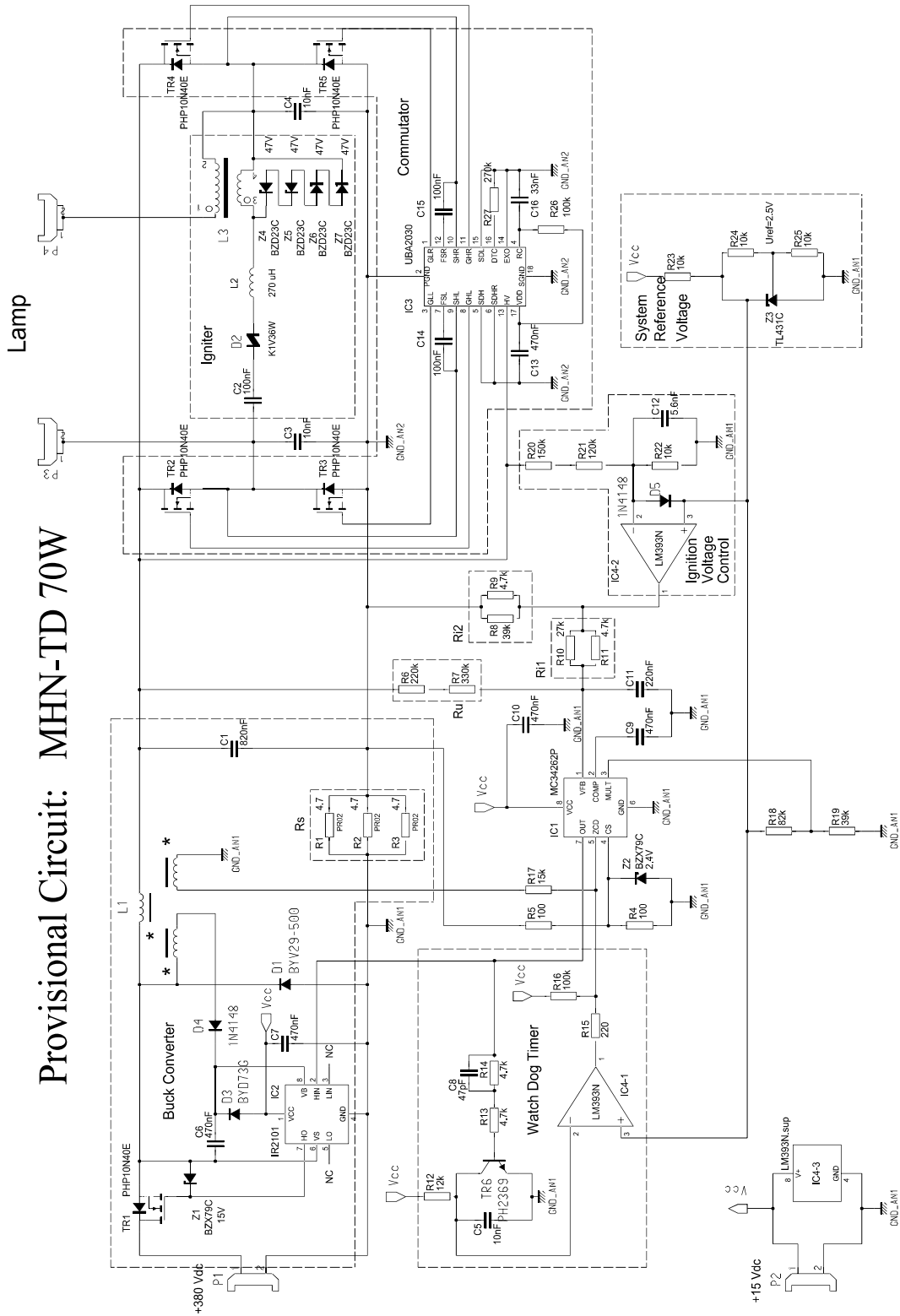


Fig.20 complete circuit diagram

Philips Semiconductors