

Hand-held motor-operated electric tools — Safety —

Part 2-2: Particular requirements for screwdrivers and impact wrenches

The European Standard EN 60745-2-2:2003 has the status of a
British Standard

ICS 25.140.20; 25.140.30



National foreword

This British Standard is the official English language version of EN 60745-2-2:2003. It was derived by CENELEC from IEC 60745-2-2:2003. It supersedes BS EN 50144-2-2:2000 and BS EN 50260-2-2:2002 which will be withdrawn on 2005-12-01.

The CENELEC common modifications have been implemented at the appropriate places in the text and are indicated by tags (e.g. **EN** **CD**).

The UK participation in its preparation was entrusted by Technical Committee CPL/61, Safety of household and similar electrical appliances, to Subcommittee CPL/61/6, Portable motor operated tools, which has the responsibility to:

- aid enquirers to understand the text;
- present to the responsible European committee any enquiries on the interpretation, or proposals for change, and keep the UK interests informed;
- monitor related international and European developments and promulgate them in the UK.

A list of organizations represented on this subcommittee can be obtained on request to its secretary.

Cross-references

The British Standards which implement international or European publications referred to in this document may be found in the *BSI Catalogue* under the section entitled "International Standards Correspondence Index", or by using the "Search" facility of the *BSI Electronic Catalogue* or of British Standards Online.

This publication does not purport to include all the necessary provisions of a contract. Users are responsible for its correct application.

Compliance with a British Standard does not of itself confer immunity from legal obligations.

Summary of pages

This document comprises a front cover, an inside front cover, the EN title page, pages 2 to 9 and a back cover.

The BSI copyright notice displayed in this document indicates when the document was last issued.

Amendments issued since publication

Amd. No.	Date	Comments

This British Standard was published under the authority of the Standards Policy and Strategy Committee on 2 September 2003

© BSI 2 September 2003

ISBN 0 580 42620 7

EUROPEAN STANDARD
NORME EUROPÉENNE
EUROPÄISCHE NORM

EN 60745-2-2

July 2003

ICS 25.140.20; 25.140.30

Supersedes EN 50144-2-2:1999 & EN 50260-2-2:2002

English version

**Hand-held motor-operated electric tools -
Safety
Part 2-2: Particular requirements for screwdrivers
and impact wrenches
(IEC 60745-2-2:2003, modified)**

Outils électroportatifs à moteur -
Sécurité
Partie 2-2: Règles particulières
pour les visseuses
(CEI 60745-2-2:2003, modifiée)

Handgeführte motorbetriebene
Elektrowerkzeuge -
Sicherheit
Teil 2-2: Besondere Anforderungen
für Schrauber und Schlagschrauber
(IEC 60745-2-2:2003, modifiziert)

This European Standard was approved by CENELEC on 2002-12-01. CENELEC members are bound to comply with the CEN/CENELEC Internal Regulations which stipulate the conditions for giving this European Standard the status of a national standard without any alteration.

Up-to-date lists and bibliographical references concerning such national standards may be obtained on application to the Central Secretariat or to any CENELEC member.

This European Standard exists in three official versions (English, French, German). A version in any other language made by translation under the responsibility of a CENELEC member into its own language and notified to the Central Secretariat has the same status as the official versions.

CENELEC members are the national electrotechnical committees of Austria, Belgium, Czech Republic, Denmark, Finland, France, Germany, Greece, Hungary, Iceland, Ireland, Italy, Lithuania, Luxembourg, Malta, Netherlands, Norway, Portugal, Slovakia, Spain, Sweden, Switzerland and United Kingdom.

CENELEC

European Committee for Electrotechnical Standardization
Comité Européen de Normalisation Electrotechnique
Europäisches Komitee für Elektrotechnische Normung

Central Secretariat: rue de Stassart 35, B - 1050 Brussels

© 2003 CENELEC - All rights of exploitation in any form and by any means reserved worldwide for CENELEC members.

Ref. No. EN 60745-2-2:2003 E

Foreword

The text of the International Standard IEC 60745-2-2:2003, prepared by SC 61F, Safety of hand-held motor-operated electric tools, of IEC TC 61, Safety of household and similar electrical appliances, together with the common modifications prepared by the Technical Committee CENELEC TC 61F, Safety of hand-held and transportable motor-operated electric tools, was submitted to the Unique Acceptance Procedure and was approved by CENELEC as EN 60745-2-2 on 2002-12-01.

This European Standard supersedes EN 50144-2-2:1999 and EN 50260-2-2:2002.

The following dates were fixed:

- latest date by which the EN has to be implemented at national level by publication of an identical national standard or by endorsement (dop) 2004-03-01
- latest date by which the national standards conflicting with the EN have to be withdrawn (dow) 2005-12-01

Other standards referred to in this European standard are listed in Clause 2. Clause 2 lists the valid edition of those documents at the time of issue of this EN.

This standard is divided into two parts:

Part 1: General requirements which are common to most hand-held electric motor-operated tools (for the purpose of this standard referred to simply as tools) which could come within the scope of this standard;

Part 2: Requirements for particular types of tools which either supplement or modify the requirements given in Part 1 to account for the particular hazards and characteristics of these specific tools.

This European Standard has been prepared under a mandate given to CEN and CENELEC by the European Commission and the European Free Trade Association and supports the essential health and safety requirements of the Machinery Directive.

Compliance with the clauses of Part 1 together with this Part 2 provides one means of conforming with the essential health and safety requirements of the Directive concerned.

CEN/TC 255 is producing standards for non-electric screwdrivers and impact wrenches (EN 792-6).

Warning: Other requirements and other EC Directives can be applicable to the products falling within the scope of this standard.

This standard follows the overall requirements of EN 292-1 and EN 292-2.

This Part 2-2 is to be used in conjunction with EN 60745-1:2003. When this standard states "addition", "modification" or "replacement", the relevant text in Part 1 is to be adapted accordingly.

Subclauses and figures which are additional to those in Part 1 are numbered starting from 101.

Subclauses, tables and figures which are additional to those in IEC 60745-2-2 are prefixed "Z".

NOTE In this standard, the following print types are used:

- requirements: in roman type;
- test specifications: in italic type;
- notes: in smaller roman type.

Endorsement notice

The text of the International Standard IEC 60745-2-2:2003 was approved by CENELEC as a European Standard with agreed common modifications.

HAND-HELD MOTOR-OPERATED ELECTRIC TOOLS – SAFETY –

Part 2-2: Particular requirements for screwdrivers and impact wrenches

1 Scope

This clause of Part 1 is applicable, except as follows:

1.1 Addition:

This standard applies to screwdrivers and impact wrenches.

2 Normative references

Ⓒ This clause of Part 1 is applicable, except as follows:

Additional normative reference.

EN ISO 8662-7:1997, *Hand-held portable power tools – Measurement of vibrations at the handle – Part 7: Wrenches, screwdrivers and nut runners with impact, impulse or ratchet action (ISO 8662-7:1997)* Ⓒ

3 Definitions

This clause of Part 1 is applicable, except as follows:

Additional definitions:

3.101 screwdriver

tool intended for tightening and loosening screws, nuts, and the like and not equipped with an impact mechanism but which may have a device for depth setting or setting the torque or means for switching off the rotation

3.102 impact wrench

tool intended for tightening and loosening screws, nuts, and the like and equipped with a rotary impact mechanism. Some impact wrenches are equipped with a means for depth setting and may have a means for setting the torque or switching off the rotation

4 General requirements

This clause of Part 1 is applicable.

5 General conditions for the tests

This clause of Part 1 is applicable.

6 Environmental requirements

This clause of Part 1 is applicable except as follows:

6.1.2.4 Modification:

Screwdrivers are suspended. The bit holder shall be horizontal.

Impact wrenches are held and used as specified in 6.1.2.5.

6.1.2.5 Modification:

Screwdrivers are tested at no-load.

Impact wrenches are tested under load. The load is applied by means of a brake system, so that the socket driving the brake rotates at a test speed of $(45 \pm 5) \text{ min}^{-1}$ and the impact mechanism is caused to operate continuously. The brake as shown in Figure Z101 is supported on a resilient material and mounted on a bench such that the geometric centre of the tool is 1 m above the reflecting plane. The details of the brake system are given in Annex B of EN ISO 8662-7.

The feed force shall be just sufficient to obtain a stable operation.

The measurement time shall be approximately 10 s.

6.2.2.3 Modification:

Measurements shall be made in the direction of the reaction torque.

6.2.2.4 Modification:

Screwdrivers and impact wrenches are tested under the operating conditions specified in 6.1.2.5. Ⓒ

7 Classification

This clause of Part 1 is applicable.

8 Marking and instructions

This clause of Part 1 is applicable.

9 Protection against access to live parts

This clause of Part 1 is applicable.

10 Starting

This clause of Part 1 is applicable.

11 Input and current

This clause of Part 1 is applicable.

12 Heating

This clause of Part 1 is applicable, except as follows:

12.4 Replacement:

The tool is operated intermittently for 30 cycles or until temperatures stabilise, whichever is achieved first, each cycle comprising a period of continuous operation of 30 s and a rest period of 90 s with the tool switched off, the tool loaded during the periods of operation by means of a brake adjusted so as to attain rated input or rated current. The temperature rises are measured at the end of the "on" period. At the manufacturer's option the tool may be operated continuously until thermal stabilisation.

The impact mechanism may be disabled during the test to prevent damage to the brake.

13 Leakage current

This clause of Part 1 is applicable.

14 Moisture resistance

This clause of Part 1 is applicable.

15 Electric strength

This clause of Part 1 is applicable.

16 Overload protection of transformers and associated circuits

This clause of Part 1 is applicable.

17 Endurance

This clause of Part 1 is applicable, except as follows:

17.2 Replacement:

For screwdrivers, the test of Part 1 is applicable.

For impact wrenches, replace the test of Part 1 as follows:

Impact wrenches are operated intermittently for 12 h at a supply voltage equal to 1,1 times rated voltage and then for 12 h at a supply voltage equal to 0,9 times rated voltage.

The tool may be switched on and off by means of a switch other than that incorporated in the tool.

Each cycle of operation comprises an "on" period of 100 s at no load and a resting period of 20 s with the tool switched "off", the "off" periods being included in the specified operating time.

During the tests above, the tool is placed in three different positions, the operating time, at each test voltage, being approximately 4 h for each position.

After this, the impact wrenches are operated intermittently for 12 h at a supply voltage equal to 1,1 times rated voltage, then for 12 h at a supply voltage equal to 0,9 times rated voltage.

Each cycle of operation comprises a tool impacting for a period of 1 s and a resting period of 9 s with the tool switched "off", the "off" periods being included in the specified operating time.

During this test, replacement of the carbon brushes is allowed, and the tool is oiled and greased as in normal use.

If the impact mechanism fails mechanically during the test without causing an accessible part to become live it may be replaced by a new one.

If the temperature rise of any part of the tool exceeds the temperature rise determined during the test of 12.1, forced cooling or rest periods are applied, the rest periods being excluded from the specified operating time.

During these tests, overload protection devices shall not operate.

18 Abnormal operation

This clause of Part 1 is applicable.

19 Mechanical hazards

This clause of Part 1 is applicable.

20 Mechanical strength

This clause of Part 1 is applicable.

21 Construction

Ⓒ This clause of Part 1 is applicable except as follows:

21.21 This subclause of Part 1 is not applicable.

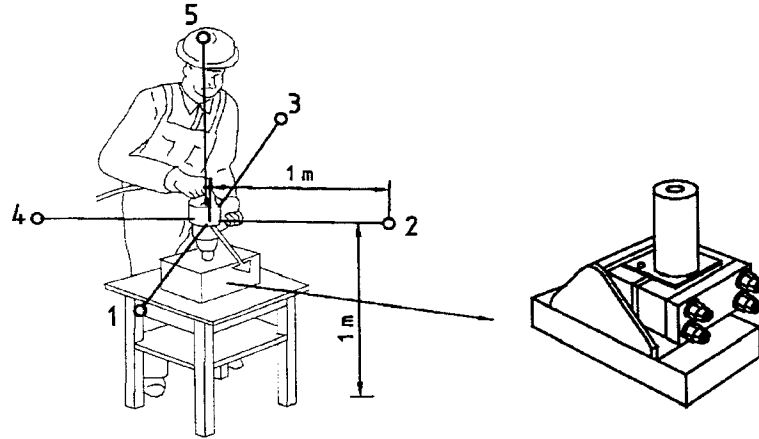


Figure Z101 — Brake

Ⓒ

22 Internal wiring

This clause of Part 1 is applicable.

23 Components

This clause of Part 1 is applicable.

24 Supply connection and external flexible cords

This clause of Part 1 is applicable, except as follows:

24.4 Replacement of paragraphs 1 and 2:

For impact wrenches, the lightest cable which can be used is:

- heavy polychloroprene sheathed flexible cable (60245 IEC 66) or equivalent.

25 Terminals for external conductors

This clause of Part 1 is applicable.

26 Provision for earthing

This clause of Part 1 is applicable.

27 Screws and connections

This clause of Part 1 is applicable.

28 Creepage distances, clearances and distances through insulation

This clause of Part 1 is applicable.

29 Resistance to heat, fire and tracking

This clause of Part 1 is applicable.

30 Resistance to rusting

This clause of Part 1 is applicable.

31 Radiation, toxicity and similar hazards

This clause of Part 1 is applicable.

Annexes

The annexes of Part 1 are applicable except as follows.

Annex K (normative)

Battery tools and battery packs

K.1.1 Addition:

All clauses of this Part 2 apply unless otherwise specified in this annex.

K.12.4 Replacement:

This sub-clause of Part 2 is not applicable.

K.17.2 Replacement:

This sub-clause of Part 2 is not applicable.

K.24.4 Replacement:

This sub-clause of Part 2 is not applicable.

Annex L (normative)

Battery tools and battery packs provided with mains connection or non-isolated sources

L.1.1 Addition:

All clauses of this Part 2 apply unless otherwise specified in this annex.

Bibliography

The bibliography of Part 1 is applicable.

BSI — British Standards Institution

BSI is the independent national body responsible for preparing British Standards. It presents the UK view on standards in Europe and at the international level. It is incorporated by Royal Charter.

Revisions

British Standards are updated by amendment or revision. Users of British Standards should make sure that they possess the latest amendments or editions.

It is the constant aim of BSI to improve the quality of our products and services. We would be grateful if anyone finding an inaccuracy or ambiguity while using this British Standard would inform the Secretary of the technical committee responsible, the identity of which can be found on the inside front cover. Tel: +44 (0)20 8996 9000. Fax: +44 (0)20 8996 7400.

BSI offers members an individual updating service called PLUS which ensures that subscribers automatically receive the latest editions of standards.

Buying standards

Orders for all BSI international and foreign standards publications should be addressed to Customer Services. Tel: +44 (0)20 8996 9001. Fax: +44 (0)20 8996 7001. Email: orders@bsi-global.com. Standards are also available from the BSI website at <http://www.bsi-global.com>.

In response to orders for international standards, it is BSI policy to supply the BSI implementation of those that have been published as British Standards, unless otherwise requested.

Information on standards

BSI provides a wide range of information on national, European and international standards through its Library and its Technical Help to Exporters Service. Various BSI electronic information services are also available which give details on all its products and services. Contact the Information Centre. Tel: +44 (0)20 8996 7111. Fax: +44 (0)20 8996 7048. Email: info@bsi-global.com.

Subscribing members of BSI are kept up to date with standards developments and receive substantial discounts on the purchase price of standards. For details of these and other benefits contact Membership Administration. Tel: +44 (0)20 8996 7002. Fax: +44 (0)20 8996 7001. Email: membership@bsi-global.com.

Information regarding online access to British Standards via British Standards Online can be found at <http://www.bsi-global.com/bsonline>.

Further information about BSI is available on the BSI website at <http://www.bsi-global.com>.

Copyright

Copyright subsists in all BSI publications. BSI also holds the copyright, in the UK, of the publications of the international standardization bodies. Except as permitted under the Copyright, Designs and Patents Act 1988 no extract may be reproduced, stored in a retrieval system or transmitted in any form or by any means – electronic, photocopying, recording or otherwise – without prior written permission from BSI.

This does not preclude the free use, in the course of implementing the standard, of necessary details such as symbols, and size, type or grade designations. If these details are to be used for any other purpose than implementation then the prior written permission of BSI must be obtained.

Details and advice can be obtained from the Copyright & Licensing Manager. Tel: +44 (0)20 8996 7070. Fax: +44 (0)20 8996 7553. Email: copyright@bsi-global.com.

BSI
389 Chiswick High Road
London
W4 4AL