



TOKEN ELECTRONICS IND. CO., LTD.

HONESTY PERFECTION SHARING

Catalogue of Inductors And Coils

Taiwan: No. 137, Sec. 1, Chung Shin Rd.,
Wu Ku Hsiang, Taipei Hsien, Taiwan, R.O.C

TEL: 886-2-2981 0109

FAX: 886-2-2988 7487

China: 3F South, Zhongxing Industry Bld.,
Changye Rd., Nanshan District,
Shen Zhen, Guangdong 518054

TEL: 86-755-2605 5363~4; 2605 5440~1

FAX: 86-755-2605 5365

Contact: token@token.com.tw

Support: support@tokenonline.net

Homepage: 1. <http://www.token.com.tw>

2. <http://www.tokenonline.net>

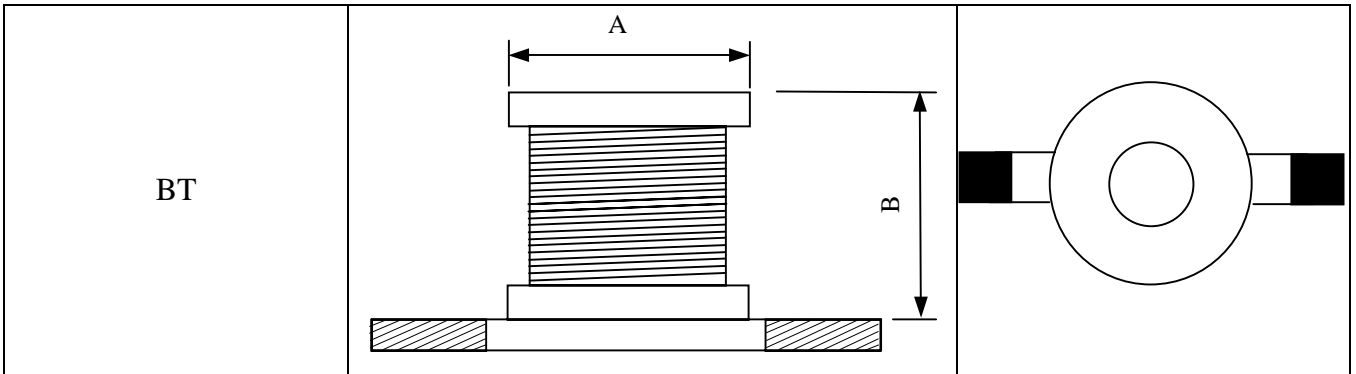


INDUCTORS & COILS INDEX

● ALARM & CLOCK COILS	2
● SMD MINIATURE COILS	4
● RADIAL TYPE CHOKE COILS (2W).....	6
● RADIAL TYPE CHOKE COILS (3W).....	7
● SEALED POWER INDUCTORS.....	8
● AXIAL TPE CHOKE COILS	9
● FIXED INDUCTORS	10
● POWER INDUCTORS.....	18
● BALUN COILS	20
● EMI SUPPRESSORS.....	21
● SPRING COILS	23
● THREAD CORE COILS	24
● DRUM FERRITE CORE COILS.....	25
● TOROID COILS.....	26
● IFT&OSC.COILS	28
● PEAKING COILS	32
● FERRITE BAR COILS	33
● ANTENNA COILS	34
● LINE FILTERS.....	35
● SELF-BONDED COILS.....	38
● SOLENOID COILS.....	39

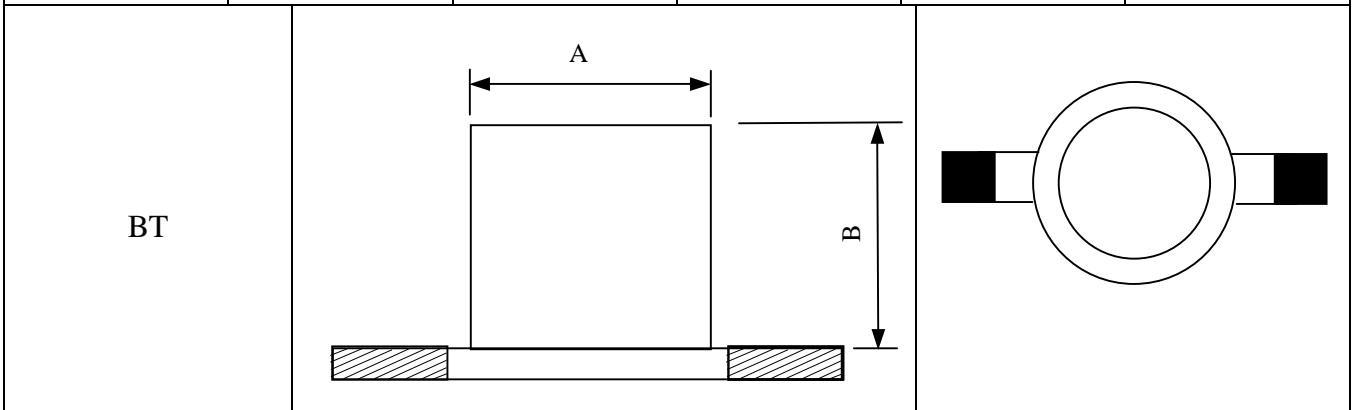


ALARM&CLOCK COILS



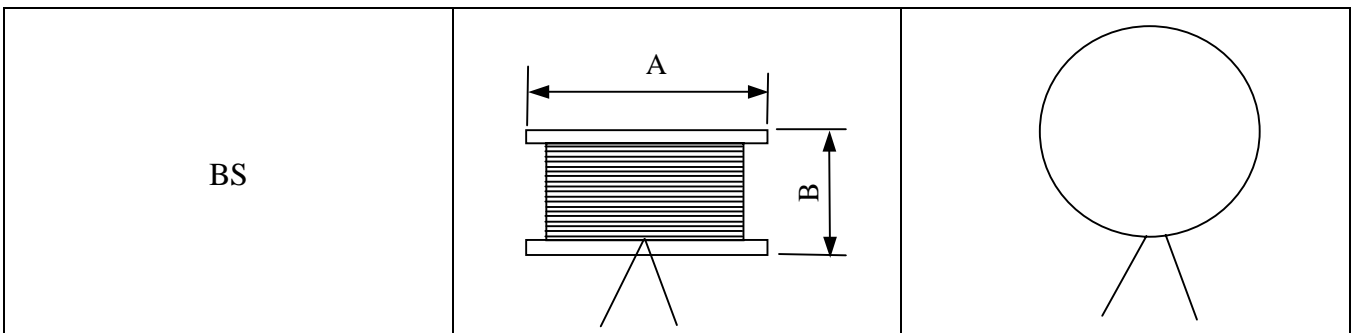
DIMENSION WITH PVC OR UL (Unit: mm)

MODEL	A	B	L	R (Ω)	USE
2519T	2.5	1.9	0.5~6.5	5~200	COIL
3519T	3.5	1.9	0.5~10	5~280	COIL



DIMENSION WITH PVC OR UL (Unit: mm)

MODEL	A	B	L (MH)	R (Ω)	USE
3320T	3.3	2.0	0.5~15	5~120	COIL
3322T	3.3	2.2	1.0~30	2~90	COIL
4520T	4.5	2.0	1.0~60	2~120	COIL
4525T	4.5	2.5	1.0~45	2~260	COIL
4928T	4.9	2.8	2.0~160	5~380	COIL
4931T	4.9	3.1	2.0~200	5~400	COIL

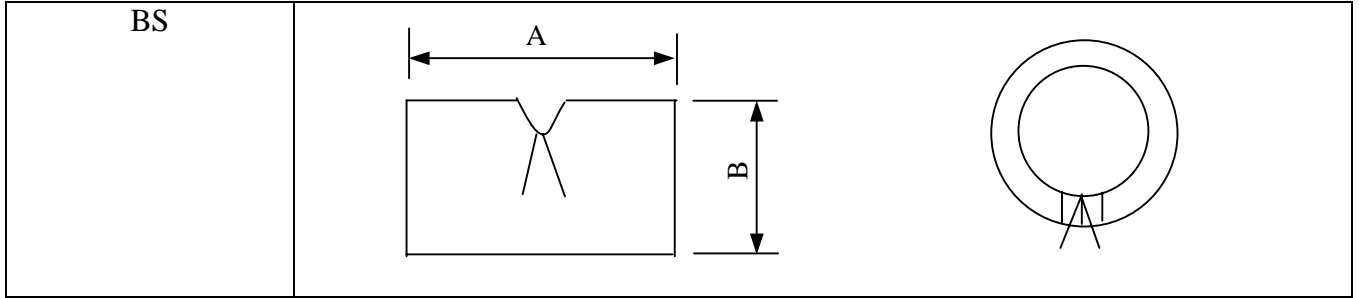




TOKEN MEANS QUALITY AND SERVICE

DIMENSION WITH PVC OR UL (Unit: mm)

MODEL	A	B	L(mH)	R(Ω)	USE
2517	2.5	1.7	0.5~6.5	5~180	COIL
2519	2.5	1.9	0.5~6.5	5~200	COIL
3519	3.5	1.9	0.5~10	5~280	COIL
4019	4.0	1.9	0.5~15	5~320	COIL
4519	4.5	1.9	0.5~25	5~400	COIL



MODEL	A	B	L (MH)	R (Ω)	USE
3320	3.3	2.0	0.5~20	5~120	COIL
4520	4.5	2.0	0.5~50	5~260	COIL
4928	4.9	2.8	2.0~160	5~380	COIL
4931	4.9	3.1	2.0~200	5~400	COIL



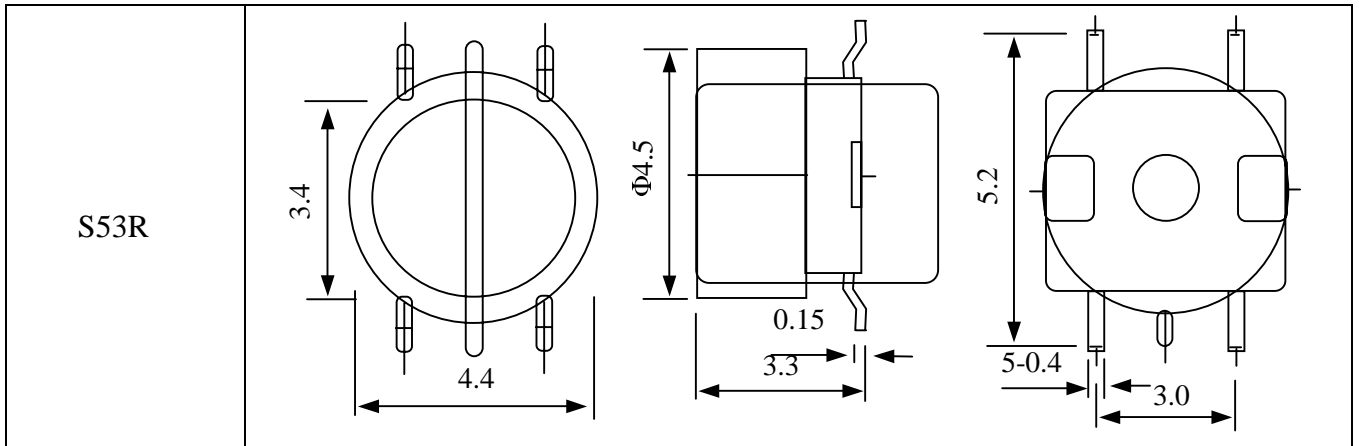
SMD MINIATURE COILS

SMD MINIATURE COILS

- Features:**
1. Windings use pair wires/twin wire for high uniformity.
 2. Base pins are end processed to allow direct mounting on PCB
 3. Surface mounting type also available.

- Applications**
1. Antenna impedance matching coil for car radio television and stereo sets
 2. linkage transformer for data communication system.
 3. Impedance conversion transformer ,transmission transformer and double balance mixer for electronic equipment.

Coils type		
Bu4T		
BU52/BU53		
BS43		



Type Dimension							
MODEL	DEMENSIONS (mm)						
	A	B	C	D	E	F	G
BU4T	3.4±0.2	4.4±0.2	4.4±0.2	3±0.2	3±0.2	5.2±0.2	0.4
BU52/BU53	2.0±0.2	2.4±0.2	5.4±0.2	4.0±0.2	3.0±0.2	5.2±0.2	0.4

MODEL	Inductance	Operational Frequency
BS43	1.0 μ H max.	200MHZ max.
S53R	0.1~8mH max.	DC~500KHz

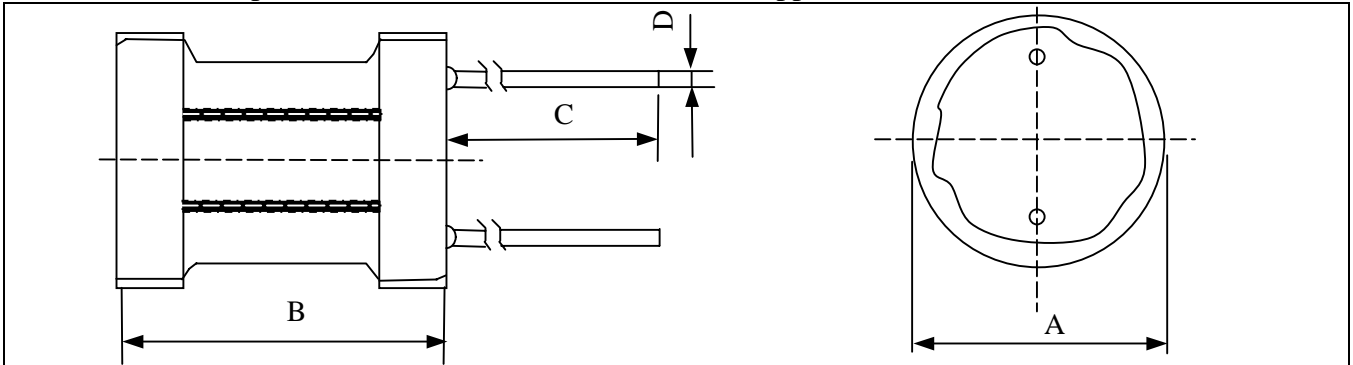


RADIAL TYPE CHOKE COILS(2W)

RADIAL TYPE CHOKE COILS(2W)

Features: 1. Contain high-frequency ferrite. 2. Comparatively large rated current

Applications Power, supplies, DC-Dc, converters, TVs, VTRS, Computers, Computer Peripherals, Telephones, Air-conditions, Home Electric Appliance etc.



DIMENSION WITH PVC OR UL (UNIT: mm)

MODEL	A	B(max.)	C(min.)	D
LHDR2W 0304	3.5±0.5	4.5	15	0.5
LHDR2W 0405	4.5±0.5	5.5	15	0.5
LHDR2W 0406	4.5±0.5	6.5	15	0.5
LHDR2W 0507	5.5±0.5	7.5	15	0.5
LHDR2W 0608	6.5±0.5	8.5	15	0.5
LHDR2W 0810	8.5±0.5	10.5	15	0.5
LHDR2W 0912	9.5±0.5	12.5	15	0.8
LHDR2W 1012	10.5±0.5	12.5	15	0.8
LHDR2W 1016	10.5±0.5	16.5	15	1.0
LHDR2W 1415	14.5±0.5	15.5	15	1.0
LHDR2W 1618	16.5±0.5	18.5	15	1.0
LHDR2W 1818	18.5±0.5	18.5	15	1.0
LHDR2W 1820	18.5±0.5	20.5	15	1.0

SPECIFICATION TABLE OF RADIAL TYPE CHOKE COILS

MODEL	Inductance	Q (min)	DCR (Ω)	Measuring Frequency
LHDR2W 0304	1.0~18000	40	0.1~160	1.0 KHz
LHDR2W 0405	1.0~45000	40	0.1~280	1.0 KHz
LHDR2W 0406	1.0~45000	40	0.1~280	1.0 KHz
LHDR2W 0507	1.0~60000	20	0.1~320	1.0 KHz
LHDR2W 0608	5.0~75000	20	0.1~350	1.0 KHz
LHDR2W 0810	5.0~85000	20	0.1~450	1.0 KHz
LHDR2W 0912	10~100000	35	0.1~500	1.0 KHz
LHDR2W 1012	10~150000	35	0.5~500	1.0 KHz
LHDR2W 1016	10~180000	30	0.5~600	1.0 KHz
LHDR2W 1415	10~180000	30	0.5~600	1.0 KHz
LHDR2W 1618	10~360000	25	0.5~800	1.0 KHz
LHDR2W 1818	10~370000	25	0.5~850	1.0 KHz
LHDR2W 1820	10~400000	20	0.5~900	1.0 KHz



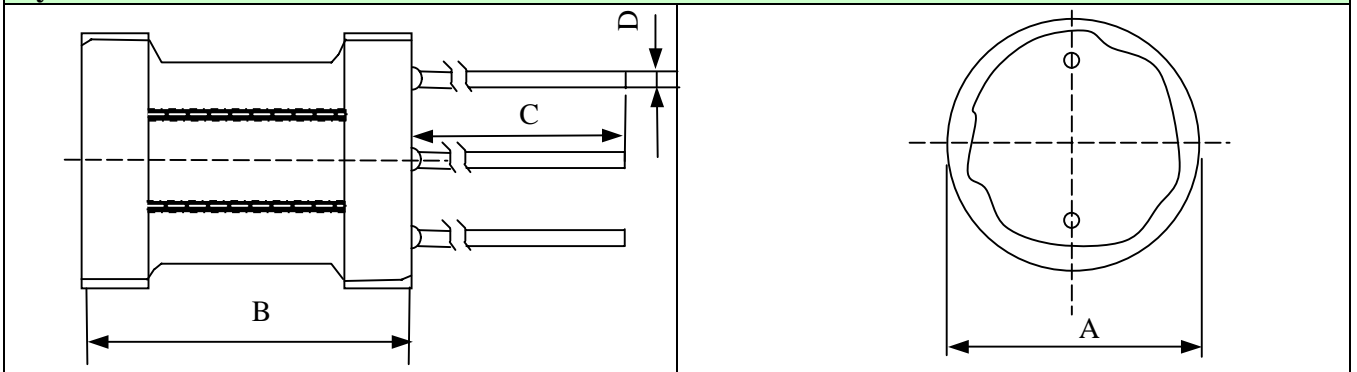
RADIAL TYPE CHOKE COILS (3W)

RADIAL TYPE CHOKE COILS (3W)

Features: 1. Contain high-frequency ferrite. 2. Comparatively large rated current

Applications Power supplies, DC-DC converters, TVs, VTRS, Computers, Computer Peripherals, Telephones, Air-Conditions, Home Electric Appliance etc.

Style



DIMENSION WITH PVC OR UL (UNIT: mm)

Model	A	B	C	D
LHDR3W 0304	3.5±0.5	4.5	15	0.5
LHDR3W 0507	5.5±0.5	7.5	15	0.6
LHDR3W 0608	6.5±0.5	8.5	15	0.6
0LHDR3W 0810	8.5±0.5	10.5	15	0.6
LHDR3W 0912	9.5±0.5	12.5	15	0.8
LHDR3W 1016	10.5±0.5	16.5	15	0.8
LHDR3W 1415	14.5±0.5	15.5	15	1.0
LHDR3W 1618	16.5±0.5	18.5	15	1.0

Specification table of radial type choke coils

MODEL	Inductance(μ H)	Q (Min)	DCR (Ω)	Measuring Frequency
LHDR3W 0304	1.0~5000	45	1~100	1.0 KHz
LHDR3W 0507	1.0~10000	45	5~200	1.0 KHz
LHDR3W 0608	1.0~150000	40	5~280	1.0 KHz
LHDR3W 0810	1.0~180000	40	5~350	1.0 KHz
LHDR3W 0912	1.0~300000	35	5~500	1.0 KHz
LHDR3W 1016	1.0~450000	35	5~580	1.0 KHz
LHDR3W 1415	1.0~500000	30	5~700	1.0 KHz
LHDR3W 1618	1.0~600000	30	5~1000	1.0 KHz

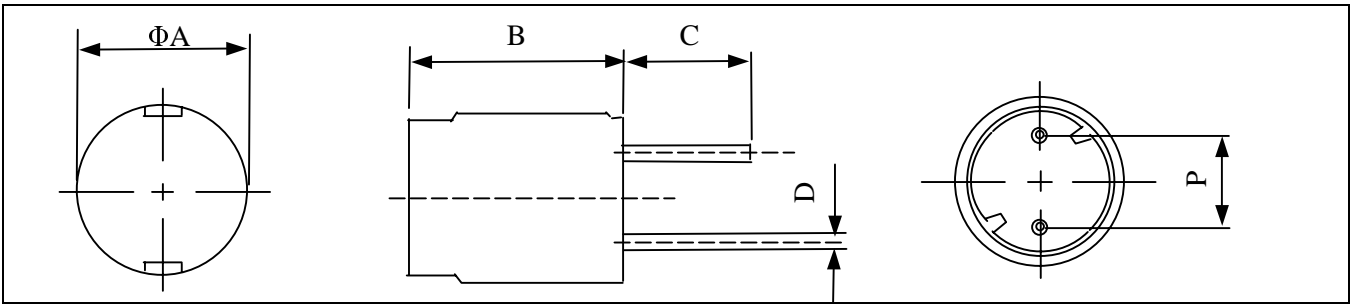


SEALED POWER INDUCTORS

SEALER POWER INDUCTORS

Features: 1.Magnetic shield or plastic shield type inductor.
2.Usable as power supply choke coil 3.Taped package for automatic insertion.

Applications: This specification applies to various kinds of electronic equipment ,such as car radio ,TV VTR ,computer and all kinds of communication equipment .



ORDERING CODE

A: Type (Taping: TXXX; Bulk: cxxx) B: "M" Magnetic Shielding C: Nominal Inductance D: Inductance tolerance symbol
Txxx /A M/B 101/C K/D

Specifications

Model	Construction	BODY Dimensions (mm)					Table
		A(mm)±0.5	B(mm) ±0.5	*C(mm) ±0.05	D(mm) ±0.05	P(mm) ±0.5	
TWP7	I	7.3	11	5.0	0.6	5.0	-
TWP8	I	8.3	9.7	5.0	0.6	5.0	-
TWP9	I	9.0	8.3	5.0	0.6	5.0	-
TWPD	I	10.5	13.5	5.0	0.6	5.0	-
TWPG	I	13.5	16.5	5.0	0.6	7.5	-
TWP8-M	II	8.7	10.8	5.0	0.6	0.6	-
TWPA-M	II	10.5	9.0	5.0	0.6	0.6	-

Specification table of taped radial type choke coils

Model	Inductance	Q (Min)	DCR (Ω)	Measuring Frequency
TWP8	1.0~33000	25	0.013~120	1.0KHz
TWP9	1.0~5600	20	0.014~16.3	1.0KHz
TWPD	3.3~15000	30	0.019~300	1.0KHz
TWPG	10~10000	30	0.023~10	1.0KHz

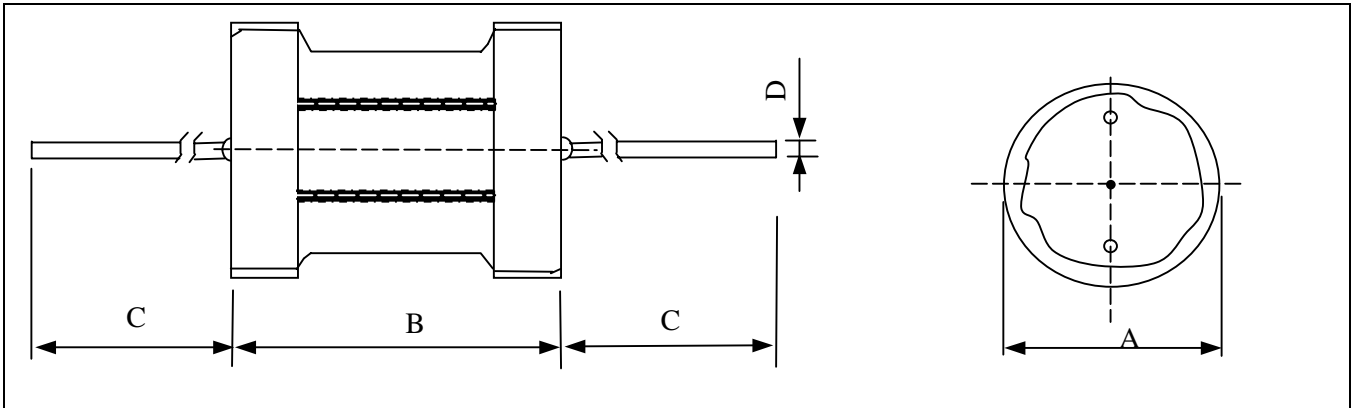


AXIAL TYPE CHOKE COILS

AXIAL TYPE CHOKE COILS

Features: Operating temperature range:-20°C to +105°C (include coil heat)

Storage conditions:-20°C to -85°C Do NOT expose to direct sunlight(JIS C805)



DIMENSION WITH PVC OR UL (UNIT: mm)

MODEL	A	B	C	D
LGC 0306	3.5±0.5	7	25	0.6
LGC 0410	4.5±0.5	11	25	0.6
LGC 0608	6.5±0.5	9	25	0.6
L GC 0612	6.5±0.5	13	25	0.6
LGC 0810	8.5±0.5	11	25	0.6
LGC 0812	8.5±0.5	13	25	0.6
LGC 1019	10.5±0.5	20	25	0.6
LGC 1311	13.5±0.5	12	25	0.6

Specification table of axial type choke coils

MODEL	Inductance (μ H)	Q (Min)	DCR (Ω)	Measuring Frequency
LGC 0306	0.1~4700	40	0.06~70	1.0 KHz
LGC 0410	1.0~4700	40	0.1~48	1.0 KHz
LGC 0608	1.0~47000	25	0.02~180	1.0 KHz
LGC 0612	1.0~47000	25	0.02~120	1.0 KHz
LGC 0810	1.0~68000	30	0.02~150	1.0 KHz
LGC 0812	1.0~80000	35	0.02~150	1.0 KHz
LGC 1019	1.0~100000	45	0.02~140	1.0 KHz
LGC 1311	1.0~90000	35	0.02~130	1.0 KHz



TOKEN MEANS QUALITY AND SERVICE

FIXED INDUCTORS

Features: This specification applies to the fixed high frequency inductors used in electronic equipment such as communication apparatus, automatic control equipment, electronic testing instruments, household appliance. electrical equipment .It's functioned high frequency inductance device.

ORDERING CODE

LGA/A-101/B K/C

A: Type LGA=63mm Length

B: inductance

C: tolerance

DIMENSIONS

	MODEL	A(max)	B(max)	C±0.05	LENGTH
	LGA0202	2.0	3.0	0.5	63±2
	LGA0204	2.0	4.0	0.5	63±3
	LAG0307	3.0	7.0	0.5	63±2
	LGA0410	4.0	10.0	0.5	63±3

COLOUR CODE

(1) LGA0307, LGA0410	COLOUR	1	2	3	4
		Black	0	0	1
	Brown	1	1	10	-
	Red	2	2	100	-
	Orange	3	3	1000	-
	Yellow	4	4	-	-
	Green	5	5	-	-
	Blue	6	6	-	-
	Purple	7	7	-	-
	Gray	8	8	-	-
	White	9	9	-	-
	Gold	-	-	0.1	±5%
	Silver	-	-	0.01	±10%

Packing

Ammunition packing 1=Standard size 2=Smallest size							
				0307,0410	0307,0410	0202,0204	
1	70±5	255±5	70±5	1000pcs/Box	2000pcs/Box		
2	100±5	255±5	55±5			2500pcs/Box	4000pcs/Box



FIXED INDUCTORS

SMD MINIATURE COILS

Features:

1. Windings use pair wires/twin wire for high uniformity.
2. Base pins are end processed to allow direct mounting on PCB
3. Surface mounting type also available.

Applications

1. Antenna impedance matching coil for car radio television and stereo sets
2. linkage transformer for data communication system.
3. Impedance conversion transformer ,transmission transformer and double balance mixer for electronic equipment.

Part No.	Inductance	Percent Tolerance	Q min	Testing Freq. Of L&Q (MHz)	S.R.F (MHz) min	D.C.R. (Ω) max.	Permissible DC current-t	Color code			
								1st	2nd	3rd	4th
LGA0202-R10M	0.10	±20%	35	25.2	300	0.10	700	Brown	Black	Silver	Black
LGA0202-R12M	0.12					0.20	660	Brown	Red	Silver	Black
LGA0202-R15M	0.15					0.22	620	Brown	Green	Silver	Black
LGA0202-R18M	0.18					0.24	600	Brown	Gray	Silver	Black
LGA0202-R22M	0.22					0.40	400	Red	Red	Silver	Black
LGA0202-R27M	0.27					0.43	380	Red	Purple	Silver	Black
LGA0202-R33M	0.33					0.48	370	Orange	Orange	Silver	Black
LGA0202-R39M	0.39					0.51	350	Orange	White	Silver	Black
LGA0202-R47M	0.47					0.56	330	Yellow	Purple	Silver	Black
LGA0202-R56M	0.56					0.61	320	Green	Blue	Silver	Black
LGA0202-R68M	0.68					0.67	310	Blue	Gray	Silver	Black
LGA0202-R82M	0.82					0.74	290	Gray	Red	Silver	Black
LGA0202-1R0M	1.0				0.80	270	Brown	Black	Gold	Black	
LGA0202-1R2M	1.2				110	0.90	260	Brown	Red	Gold	Black
LGA0202-1R5M	1.5				80	1.00	250	Brown	Green	Gold	Black
LGA0202-1R8M	1.8				60	1.10	240	Brown	Gray	Gold	Black
LGA0202-2R2M	2.2				45	1.20	230	Red	Red	Gold	Black
LGA02022R7M	2.7				40	1.30	220	Red	Purple	Gold	Black
LGA0202-3R3K	3.3				38	1.40	210	Orange	Orange	Gold	Silver
LGA0202- 3R9K	3.9				35	1.60	200	Orange	White	Gold	Silver
LGA0202- 4R7K	4.7				32	1.70	190	Yellow	Purple	Gold	Silver
LGA0202 -5R6K	5.6				30	1.90	180	Green	Blue	Gold	Silver
LGA0202 -6R8K	6.8	28	2.00	175	Blue	Gray	Gold	Silver			
LGA0202 -8R2K	8.2	26	2.20	165	Gray	Red	Gold	Silver			
LGA0202 -100K	10	24	2.50	160	Brown	Black	Black	Silver			
LGA0202 -120K	12	22	2.50	150	Brown	Red	Black	Silver			
LGA0202 -150K	15	20	2.80	145	Brown	Green	Black	Silver			
LGA0202 -180K	18	18	3.10	140	Brown	Gray	Black	Silver			
LGA0202 -220K	22	17	3.40	130	Red	Red	Black	Silver			
LGA0202 -270K	27	16	4.30	80	Red	Purple	Black	Silver			
LGA0202 -330K	33	14	4.70	76	Orange	Orange	Black	Silver			
LGA0202 -390K	39	13	5.20	74	Orange	White	Black	Silver			
LGA0202 -470K	47	12	5.80	70	Yellow	Purple	Black	Silver			
LGA0202 -560K	56	11	6.40	68	Green	Blue	Black	Silver			
LGA0202 -680K	68	10	7.20	64	Blue	Gray	Black	Silver			
LGA0202 -820K	82	9.5	11.00	46	Gray	Red	Brown	Silver			
LGA0202 -101K	100	9.0	12.00	44	Brown	Black	Brown	Silver			
LGA0202 -121K	120	0.796	8.0	13.00	42	Brown	Red	Brown	Silver		
LGA0202 -151K	150	6.0	16.00	39	Brown	Green	Brown	Silver			



TOKEN MEANS QUALITY AND SERVICE

Part No.	Inductance	Percent Tolerance	Q min	Testing Freq. Of L&Q (MHz)	S.R.F (MHz) min	D.C.R .(Ω) max.	Permissible DC current	Color code				
								1st	2nd	3rd	4th	
LGA0202 -181K	180	±10%	40	0.796	5.5	18.00	37	Brown	Gray	Brown	Silver	
LGA0202 -221K	220				5.0	20.00	35	Red	Red	Brown	Silver	
LGA0202 -271K	270				4.6	26.00	28	Red	Purple	Brown	Silver	
LGA0202 -331K	330				4.2	30.00	26	Orange	Orange	Brown	Silver	
LGA0202 -391K	390				3.8	34.00	25	Orange	White	Brown	Silver	
LGA0202 -471K	470				3.5	38.00	24	Yellow	Purple	Brown	Silver	
LGA0204-R22M	0.22	±20%	35	25.2	150	0.40	400	Red	Red	Silver	Black	
LGA0204-R27M	0.27				150	0.43	380	Red	Purple	Silver	Black	
LGA0204-R33M	0.33				150	0.48	370	Orange	Orange	Silver	Black	
LGA0204-R39M	0.39				150	0.51	350	Orange	White	Silver	Black	
LGA0204-R47M	0.47				150	0.56	320	Yellow	Purple	Silver	Black	
LGA0204-R56M	0.56				150	0.61	320	Green	Blue	Silver	Black	
LGA0204-R68M	0.68		40	7.96	25.2	150	0.67	310	Blue	Gray	Silver	Black
LGA0204-R82M	0.82					150	0.74	290	Gray	Red	Silver	Black
LGA0204-1R0M	1.0					150	0.80	270	Brown	Black	Gold	Black
LGA0204-1R2M	1.2					144	0.90	260	Brown	Red	Gold	Black
LGA0204-1R5M	1.5					131	1.00	250	Brown	Green	Gold	Black
LGA0204-1R8M	1.8					121	1.10	240	Brown	Gray	Gold	Black
LGA0204-2R2M	2.2	±10%	50	2.52	110	1.20	230	Red	Red	Gold	Black	
LGA0204-2R7M	2.7				100	1.30	220	Red	Purple	Gold	Black	
LGA0204-3R3K	3.3				94	1.40	210	Orange	Orange	Gold	Silver	
LGA0204-3R9K	3.9				65	1.60	200	Orange	White	Gold	Silver	
LGA0204-4R7K	4.7				56	1.70	190	Yellow	Purple	Gold	Silver	
LGA0204-5R6K	5.6				48	1.90	180	Green	Blue	Gold	Silver	
LGA0204-6R8K	6.8		37	2.00	175	Blue	Gray	Gold	Silver			
LGA0204-8R2K	8.2		25	2.20	165	Gray	Red	Gold	Silver			
LGA0204-100K	10		21	2.50	160	Brown	Black	Black	Silver			
LGA0204-120K	12		19	2.50	150	Brown	Red	Black	Silver			
LGA0204-150K	15		17	2.80	145	Brown	Green	Black	Silver			
LGA0204-180K	18		13	3.10	140	Brown	Gray	Black	Silver			
LGA0204-220K	22	9.6	3.40	130	Red	Red	Black	Silver				
LGA0204-270K	27	7.2	3.80	125	Red	Purple	Black	Silver				
LGA0204-330K	33	6.3	4.10	120	Orange	Orange	Black	Silver				
LGA0204-390K	39	6.3	4.50	115	Orange	White	Black	Silver				
LGA0204-470K	47	6.3	4.90	110	Yellow	Purple	Black	Silver				
LGA0204-560K	56	6.2	5.30	105	Green	Blue	Black	Silver				
LGA0204-680K	68	5.7	5.80	100	Blue	Gray	Black	Silver				
LGA0204-820K	82	5.3	6.30	95	Gray	Red	Black	Silver				
LGA0204-101K	100	4.8	7.00	90	Brown	Black	Brown	Silver				
LGA0204-121K	120	3.8	13.00	90	Brown	Red	Brown	Silver				
LGA0204-151K	150	3.5	15.00	85	Brown	Green	Brown	Silver				
LGA0204-181K	180	3.3	16.00	80	Brown	Gray	Brown	Silver				
LGA0204-221K	220	3.0	17.00	75	Red	Red	Brown	Silver				
LGA0204-271K	270	2.8	9.00	165	Red	Purple	Brown	Silver				
LGA0204-331K	330	2.6	20.00	60	Orange	Orange	Brown	Silver				
LGA0204-391K	390	2.4	22.00	55	Orange	White	Brown	Silver				
LGA0204-471K	470	2.25	24.00	55	Yellow	Purple	Red	Silver				
LGA0204-561K	560	2.1	2.00	50	Green	Blue	Brown	Silver				
LGA0204-681K	680	1.95	28.00	45	Blue	Gray	Brown	Silver				
LGA0204-821K	820	1.85	30.00	40	Gray	Red	Brown	Silver				
LGA0204-102K	1000	1.4	33.00	40	Brown	Black	Red	Silver				



TOKEN MEANS QUALITY AND SERVICE

Part No.	Inductance	Percent Tolerance	Q min	Testing Freq. of L&Q (MHz)	SRF (MHz) min.	DCR (Ω) max.	Permissible DC current	Color code						
								1st	2nd	3rd	4th			
LGA0307-R10M	0.10	±20%	30	2.52	280	0.085	700	Brown	Black	Silver	Black			
LGA0307-R12M	0.12				280	0.085	700	Brown	Red	Silver	Black			
LGA0307-R15M	0.15				280	0.095	700	Brown	Green	Silver	Black			
LGA0307-R18M	0.18				280	0.120	700	Brown	Gray	Silver	Black			
LGA0307-R22M	0.22				280	0.150	700	Red	Red	Silver	Black			
LGA0307-R27M	0.27				260	0.150	700	Red	Purple	Silver	Black			
LGA0307-R33M	0.33		±10%		40	7.96	250	0.150	700	Orange	Orange	Silver	Black	
LGA0307-R39M	0.39						220	0.170	700	Orange	White	Silver	Black	
LGA0307-R47M	0.47						200	0.170	700	Yellow	Purple	Silver	Black	
LGA0307-R56M	0.56						180	0.170	700	Green	Blue	Silver	Black	
LGA0307-R68M	0.68						160	0.180	700	Blue	Gray	Silver	Black	
LGA0307-R82M	0.82						140	0.180	700	Gray	Red	Silver	Black	
LGA0307-1R0K	1.00						135	0.180	700	Brown	Black	Gold	Silver	
LGA0307-1R2K	1.20						135	0.180	700	Brown	Red	Gold	Silver	
LGA0307-1R5K	1.50	130		0.200			700	Brown	Green	Gold	Silver			
LGA0307-1R8K	1.80	125		0.230			655	Brown	Gray	Gold	Silver			
LGA0307-2R2K	2.20	80		0.250			630	Red	Red	Gold	Silver			
LGA0307-2R7K	2.70	80		0.280			595	Red	Purple	Gold	Silver			
LGA0307-3R3K	3.30	70		0.300			575	Orange	Orange	Gold	Silver			
LGA0307-3R9K	3.90	65		0.320			555	Orange	White	Gold	Silver			
LGA0307-4R7K	4.70	45	0.350	530	Yellow	Purple	Gold	Silver						
LGA0307-5R6K	5.60	49	0.400	500	Green	Blue	Gold	Silver						
LGA0307-6R8K	6.80	30	0.450	470	Blue	Gray	Gold	Silver						
LGA0307-8R2K	8.20	28	0.560	425	Gray	Red	Gold	Silver						
LGA0307-100K	10.00	22	0.720	370	Brown	Black	Black	Silver						
LGA0307-120K	12.00	±10%	50	2.52	20	0.800	350	Brown	Red	Black	Silver			
LGA0307-150K	15.00				16	0.880	335	Brown	Green	Black	Silver			
LGA0307-180K	18.00				15	1.000	315	Brown	Gray	Black	Silver			
LGA0307-220K	22.00				13	1.200	285	Red	Red	Black	Silver			
LGA0307-270K	27.00				11	1.350	270	Red	Purple	Black	Silver			
LGA0307-330K	33.00				10	1.500	255	Orange	Orange	Black	Silver			
LGA0307-390K	39.00				9.50	1.700	240	Orange	White	Black	Silver			
LGA0307-470K	47.00				8.50	2.300	205	Yellow	Purple	Black	Silver			
LGA0307-560K	56.00				7.50	2.600	195	Green	Blue	Black	Silver			
LGA0307-680K	68.00				6.50	2.900	185	Blue	Gray	Black	Silver			
LGA0307-820K	82.00				6.00	3.200	175	Gray	Red	Black	Silver			
LGA0307-101K	100.00				5.50	3.500	165	Brown	Black	Brown	Silver			
LGA0307-121K	120.00				±10%	60	0.976	5.40	3.800	160	Brown	Red	Brown	Silver
LGA0307-151K	150.00							4.75	4.400	150	Brown	Green	Brown	Silver
LGA0307-181K	180.00	4.35	5.000	140				Brown	Gray	Brown	Silver			
LGA0307-221K	220.00	4.00	5.700	130				Red	Red	Brown	Silver			
LGA0307-271K	270.00	3.70	7.500	120				Red	Purple	Brown	Silver			
LGA0307-331K	330.00	3.40	9.500	100				Orange	Orange	Brown	Silver			
LGA0307-391K	390.00	2.80	10.500	95				Orange	White	Brown	Silver			
LGA0307-471K	470.00	2.56	11.600	90				Yellow	Purple	Brown	Silver			
LGA0307-561K	560.00	2.35	13.000	85				Green	Blue	Brown	Silver			
LGA0307-681K	680.00	2.00	18.000	75				Blue	Gray	Brown	Silver			
LGA0307-821K	820.00	1.60	23.700	65				Gray	Red	Brown	Silver			
LGA0307-102K	1000.00	1.15	30.000	60				Brown	Black	Red	Silver			



TOKEN MEANS QUALITY AND SERVICE

Part No.	Inductance	Percent Tolerance	Q min	Testing Freq. of L&Q (MHz)	SRF (MHz) min.	DCR (Ω) max.	Permissible DC current	Color code						
								1st	2nd	3rd	4th			
LGA0410-R22M	0.22	±20%	45	25.2	300.00	0.10	1400	Red	Red	Silver	Black			
LGA0410-R27M	0.27				270.00	0.11	1320	Red	Purple	Silver	Black			
LGA0410-R33M	0.33				250.00	0.12	1280	Orange	Orange	Silver	Black			
LGA0410-R39M	0.39				230.00	0.13	1200	Orange	White	Silver	Black			
LGA0410-R47M	0.47				220.00	0.14	1150	Yellow	Purple	Silver	Black			
LGA0410-R56M	0.56				200.00	0.15	1100	Green	Blue	Silver	Black			
LGA0410-R68M	0.68				190.00	0.16	1030	Blue	Gray	Silver	Black			
LGA0410-R82M	0.82				172.00	0.17	980	Gray	Red	Silver	Black			
LGA0410-1R0M	1.0				157.00	0.19	920	Brown	Black	Gold	Black			
LGA0410-1R2M	1.2				±10%	50	7.96	144.00	0.21	880	Brown	Red	Gold	Black
LGA0410-1R5M	1.5					131.00		0.23	830	Brown	Green	Gold	Black	
LGA0410-1R8M	1.8					55		121.00	0.25	790	Brown	Gray	Gold	Black
LGA0410-2R2M	2.2					110.00		0.28	750	Red	Red	Gold	Black	
LGA0410-2R7M	2.7					60		100.00	0.30	720	Red	Purple	Gold	Black
LGA0410-3R3K	3.3	65	94.00	0.34		670		Orange	Orange	Gold	Silver			
LGA0410-3R9K	3.9	70	65.00	0.37		640		Orange	White	Gold	Silver			
LGA0410-4R7K	4.7	75	56.00	0.39		620		Yellow	Purple	Gold	Silver			
LGA0410-5R6K	5.6	80	48.00	0.43		590		Green	Blue	Gold	Silver			
LGA0410-6R8K	6.8	85	37.00	0.48		550		Blue	Gray	Gold	Silver			
LGA0410-8R2K	8.2	90	25.00	0.52		530		Gray	Red	Gold	Silver			
LGA0410-100K	10	95	21.00	0.58		500		Brown	Black	Black	Silver			
LGA0410-120K	12	±10%	50	2.52		19.00		0.63	480	Brown	Red	Black	Silver	
LGA0410-150K	15					17.00		0.72	460	Brown	Green	Black	Silver	
LGA0410-180K	18				13.00	0.77	430	Brown	Gray	Black	Silver			
LGA0410-220K	22				9.60	0.84	410	Red	Red	Black	Silver			
LGA0410-270K	27				55	7.20	0.94	390	Red	Purple	Black	Silver		
LGA0410-330K	33				50	6.30	1.03	370	Orange	Orange	Black	Silver		
LGA0410-390K	39				45	6.30	1.12	350	Orange	White	Black	Silver		
LGA0410-470K	47				40	6.30	1.22	340	Yellow	Purple	Black	Silver		
LGA0410-560K	56				35	6.20	1.34	320	Green	Blue	Black	Silver		
LGA0410-680K	68				30	5.70	1.47	305	Blue	Gray	Black	Silver		
LGA0410-820K	82				25	5.30	1.62	290	Gray	Red	Black	Silver		
LGA0410-101K	100				20	4.80	1.80	275	Brown	Black	Brown	Silver		
LGA0410-121K	120				15	3.80	3.70	185	Brown	Red	Brown	Silver		
LGA0410-151K	150				10	3.50	4.20	175	Brown	Green	Brown	Silver		
LGA0410-181K	180	5	3.30	4.60	165	Brown	Gray	Brown	Silver					
LGA0410-221K	220	±10%	65	0.796	3.00	5.10	155	Red	Red	Brown	Silver			
LGA0410-271K	270				2.80	5.80	145	Red	Purple	Brown	Silver			
LGA0410-331K	330				2.60	6.40	137	Orange	Orange	Brown	Silver			
LGA0410-391K	390				2.40	7.00	133	Orange	White	Brown	Silver			
LGA0410-471K	470				60	2.25	7.70	126	Yellow	Purple	Red	Silver		
LGA0410-561K	560				55	2.10	8.50	120	Green	Blue	Brown	Silver		
LGA0410-681K	680				50	1.95	9.40	113	Blue	Gray	Brown	Silver		
LGA0410-821K	820				45	1.85	10.50	105	Gray	Red	Brown	Silver		
LGA0410-102K	1000				40	1.40	14.00	100	Brown	Black	Red	Silver		



FIXED INDUCTORS

FIXED INDUCTORS

This specification applies to the fixed high frequency inductors used in electronic equipment ,such as communication apparatus ,automatic control equipment ,electronic testing instruments ,household appliance .electrical equipment .It's functioned frequency inductance device.

ORDERING CODE

LGB/A-101/B K/C

A: Type LGB=38mm Length

B: Inductance

C: Tolerance

DIMENSIONS (mm)

MODEL	A	D	L	H	Φd	S
LGB0405	4.0	5.0	8	5±1	0.5	5±1
LGB0606	6.5	6.4	10	5±1	0.6	5±1
LGB0909	9.0	9.4	15	5±1	0.6	7.5±1.5
LGB1012	10	12	17	5±1	0.6	7.5±1.5

COLOUR CODE

MODEL	1	2	3	4
Black	0	0	10	±20%
Brown	1	1	100	-
Red	2	2	1000	-
Orange	3	3	-	-
Yellow	4	4	-	-
Green	5	5	-	-
Blue	6	6	-	-
Purple	7	7	-	-
Gray	8	8	-	-
White	9	9	-	-
Gold	-	-	0.1	±5%
Silver	-	-	0.01	±10%



TOKEN MEANS QUALITY AND SERVICE

Part No.	Inductance	Percent Tolerance	Q min	Testing of &Q (MHz)	S.R.F (MHz) min.	D.C.R (Ω) max.	Permissible DC current	Color code					
								1st	2nd	3rd	4th		
LGB0606-R22M	0.22	±20%	50	25.2	150	0.15	816	Red	Red	Silver	Black		
LGB0606-R27M	0.27							Red	Purple	Silver	Black		
LGB0606-R33M	0.33							Orange	Orange	Silver	Black		
LGB0606-R39M	0.39							Orange	White	Silver	Black		
LGB0606-R47M	0.47			130	0.20	707	Yellow	Purple	Silver	Black			
LGB0606-R56M	0.56						Green	Blue	Silver	Black			
LGB0606-R68M	0.68						Blue	Gray	Silver	Black			
LGB0606-R82M	0.82						Gray	Red	Silver	Black			
LGB0606-1R0K	1.00	±10%	50	7.96	100	0.22	674	Brown	Black	Gold	Slivery		
LGB0606-1R2K	1.20							Brown	Red	Gold	Slivery		
LGB0606-1R5K	1.50				70	Brown	Green	Gold	Slivery				
LGB0606-1R8K	1.80				60	Brown	Gray	Gold	Silver				
LGB0606-2R2K	2.20				55	0.25	632	Red	Red	Gold	Silver		
LGB0606-2R7K	2.70				50	0.27	608	Red	Purple	Gold	Silver		
LGB0606-3R3K	3.30				45	0.30	577	Orange	Orange	Gold	Silver		
LGB0606-3R9K	3.90				40	0.32	559	Orange	White	Gold	Silver		
LGB0606-4R7K	4.70				35	0.35	534	Yellow	Purple	Gold	Silver		
LGB0606-5R6K	5.60				33	0.37		Green	Blue	Gold	Silver		
LGB0606-6R8K	6.80			27	0.40	500	Blue	Gray	Gold	Silver			
LGB0606-8R2K	8.20			25	0.45	471	Gray	Red	Gold	Silver			
LGB0606-100K	10.00			2.52	0.80	353	Brown	Black	Black	Silver			
LGB0606-120K	12.00						18	0.90	333	Brown	Red	Black	Silver
LGB0606-150K	15.00						17	1.00	316	Brown	Green	Black	Silver
LGB0606-180K	18.00						15	1.20	288	Brown	Gray	Black	Silver
LGB0606-220K	22.00						13	1.40	267	Red	Red	Black	Silver
LGB0606-270K	27.00						11	1.70	242	Red	Purple	Black	Silver
LGB0606-330K	33.00						11	2.00	223	Orange	Orange	Black	Silver
LGB0606-390K	39.00						10	2.40	204	Orange	White	Black	Silver
LGB0606-470K	47.00	10	2.70				102	Yellow	Purple	Black	Silver		
LGB0606-560K	56.00	9	2.90				185	Green	Blue	Black	Silver		
LGB0606-680K	68.00	9	3.10	179	Blue	Gray	Black	Silver					
LGB0606-820K	82.00	8	3.30	174	Gray	Red	Black	Silver					
LGB0606-101K	100.00	45	0.796	174	7	3.30	174	Brown	Black	Brown	Silver		
LGB0606-121K	120.00				6	3.50	169	Brown	Red	Brown	Silver		
LGB0606-151K	150.00				6	3.70	164	Brown	Green	Brown	Silver		
LGB0606-181K	180.00				5	4.00	158	Brown	Gray	Brown	Silver		
LGB0606-221K	220.00				4	5.20	138	Red	Red	Brown	Silver		
LGB0606-271K	270.00				4	5.80	131	Red	Purple	Brown	Silver		
LGB0606-331K	330.00				3	6.50	124	Orange	Orange	Brown	Silver		
LGB0606-391K	390.00				3	7.50	115	Orange	White	Brown	Silver		
LGB0606-471K	470.00				3	8.00	111	Yellow	Purple	Brown	Silver		
LGB0606-561K	560.00				2	12.50	89	Green	Blue	Brown	Silver		
LGB0606-681K	680.00	2	14.00	84	Blue	Gray	Brown	Silver					
LGB0606-821K	820.00	2	15.50	80	Gray	Red	Brown	Silver					
LGB0606-102K	1000.00	40	0.252	2	18.50	73	Brown	Black	Red	Silver			
LGB0606-122K	1200.00	2			29.00	58	Brown	Red	Red	Silver			
LGB0606-152K	1500.00	2			34.00	54	Brown	Green	Red	Silver			
LGB0606-182K	1800.00	1			37.00	51	Brown	Gray	Red	Silver			
LGB0606-222K	2200.00	1			42.00	48	Red	Red	Red	Silver			
		30											



TOKEN MEANS QUALITY AND SERVICE

Part No.	Inductance	Percentage Tolerance	Q min	Testing of &Q (MHz)	S.R.F (MHz) min.	D.C.R (Ω) max.	Permissible DC current	Color code					
								1st	2nd	3rd	4th		
LGA0909- 101K	100	±10%	55	796	4.3	0.85	343	Brown	Black	Brown	Silver		
LGA0909- 121K	120				4.1	0.95	324	Brown	Red	Brown	Silver		
LGA0909- 151K	150				3.7	1.05	309	Brown	Green	Brown	Silver		
LGA0909- 181K	180				3.3	1.15	295	Brown	Gray	Brown	Silver		
LGA0909- 221K	220				2.3	1.30	277	Red	Red	Brown	Silver		
LGA0909- 271K	270				2.0	1.50	258	Red	Purple	Brown	Silver		
LGA0909- 331K	330				1.95	1.70	243	Orange	Orange	Brown	Silver		
LGA0909- 391K	390				1.85	1.85	232	Orange	White	Brown	Silver		
LGA0909- 471K	470				1.57	2.30	209	Yellow	Purple	Brown	Silver		
LGA0909- 561K	560				45	1.50	2.55	198	Green	Blue	Brown	Silver	
LGA0909- 681K	680				40	1.40	2.85	187	Blue	Gray	Brown	Silver	
LGA0909- 821K	820				35	1.32	3.1	180	Gray	Red	Brown	Silver	
LGA0909- 102K	1000		60	60	252	1.25	4.1	156	Brown	Black	Red	Silver	
LGA0909- 122K	1200					1.20	4.7	146	Brown	Red	Red	Silver	
LGA0909- 152K	1500					1.00	5.8	131	Brown	Green	Red	Silver	
LGA0909- 182K	1800					0.95	7.4	116	Brown	Gray	Red	Silver	
LGA0909- 222K	2200					0.90	8.4	109	Red	Red	Red	Silver	
LGA0909- 272K	2700					0.84	11.2	94	Red	Red	Red	Silver	
LGA0909- 332K	3300					0.75	14.7	82	Orange	Purple	Red	Silver	
LGA0909- 392K	3900					0.67	19.5	72	Orange	Orange	Red	Silver	
LGA0909 - 472	4700					0.62	21.5	68	Yellow	White	Red	Silver	
LGA0909- 562K	5600					60	0.57	24.5	64	Green	Purple	Red	Silver
LGA0909- 682K	6800					55	0.47	32.5	55	Blue	Blue	Red	Silver
LGA0909- 822K	8200					0.43	38	51	Gray	Red	Red	Silver	
LGA0909- 103K	10000		50	50	79.6	0.38	43	48	Brown	Red	Orange	Silver	
LGA0909- 123K	12000					0.37	62	40	Brown	Black	Orange	Silver	
LGA0909- 153K	15000					0.33	74	37	Orange	Red	Orange	Silver	
LGA0909- 183K	18000					0.29	103	31	Brown	Green	Orange	Silver	
LGA0909- 223K	22000					0.26	118	29	Red	Gray	Orange	Silver	
LGA0909- 273K	27000					0.25	131	28	Red	Red	Orange	Silver	
LGA0909- 333K	33000					0.25	152	26	Orange	Purple	Orange	Silver	
LGA0909- 339K	39000					40	0.23	205	22	Orange	Orange	Orange	Silver
LGA0909- 473K	47000	35				0.21	260	20	Yellow	Purple	Orange	Silver	
LGA0909- 563K	56000	0.20				205	18	Green	Blue	Orange	Silver		



POWER INDUCTORS

POWRE INDUCTORS

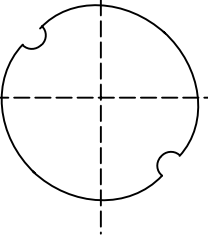
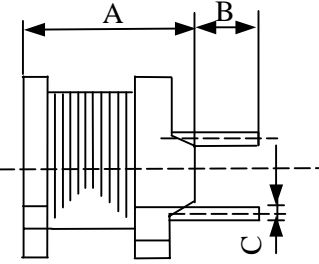
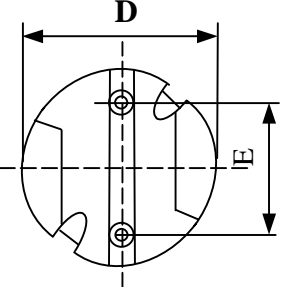
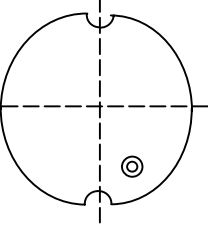
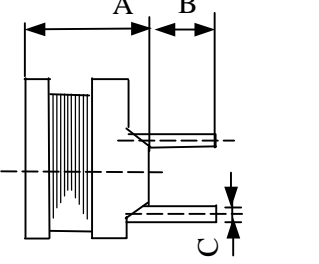
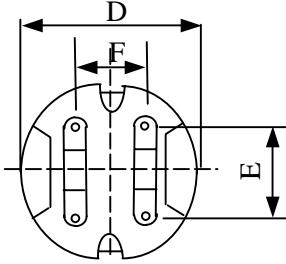
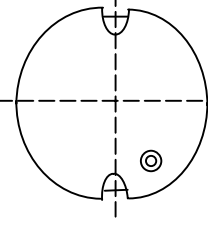
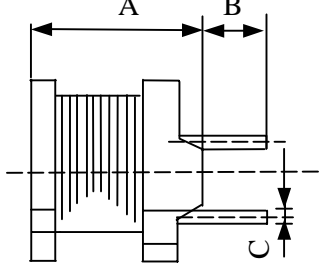
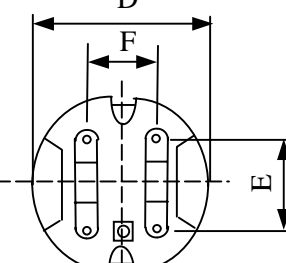
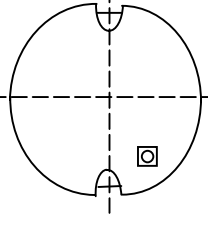
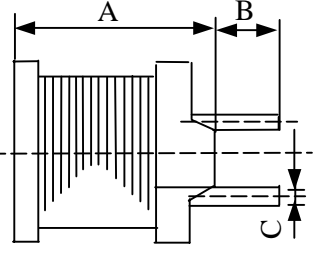
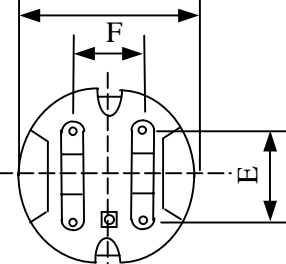
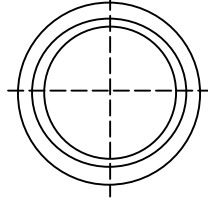
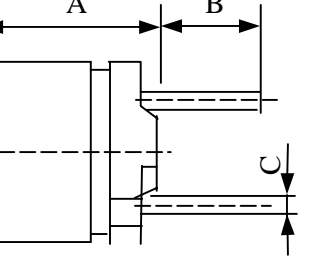
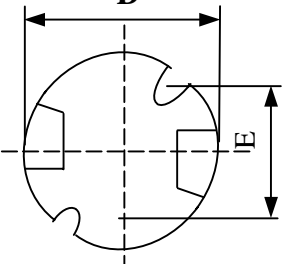
MODEL	A±0.5	B±1	C	D±0.5	E	F
DRCH-4570	7.0	3.5	0.5	4.5	2.5	-
DRCH-646	4.6	4.0	0.5	6.0	4.0	-
DRCH-664	6.2	4.0	0.5	6.0	4.0	-
DRCH-855	5.5	5.0	0.5	8.0	5.0	-
DRCH-875	7.5	5.0	0.5	8.0	5.0	-
DRCH-106	6.0	3.5	0.5	10.0	5.0	4.0
DRCH-108	8.0	3.5	0.5	1.0	5.0	4.0
DRCH-110	10.0	3.5	0.5	1.0	5.0	4.0
DP87	7.0	5.0	0.5	7.8	5.0	-

MODEL	Inductance(μH)	Q at 100 kHz (Min)	DCR(Ω)	Measuring Frequency
DRCH-646	10~1000	22	0.10~6.3~6.3	1.0KHz
DRCH-664	10~1000	30	0.08~5.78	1.0KHz
DRCH-855	10~47000	32	0.09~260.4	1.0KHz
DRCH-875	10~3900	35	0.08~13.0	1.0KHz
DRCH-106	10~1000	35	0.044~3.3	1.0KHz
DRCH-108	10~1000	35	0.024~2.1	1.0KHz
DP87	22~10000	35	0.12~54.00	1.0KHz

MODEL	DIMENSIONS (mm)		
DRCH-4570			
DRCH-06			



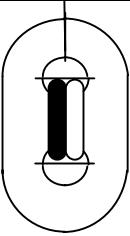
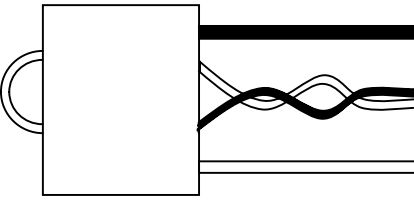
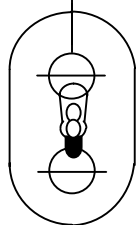
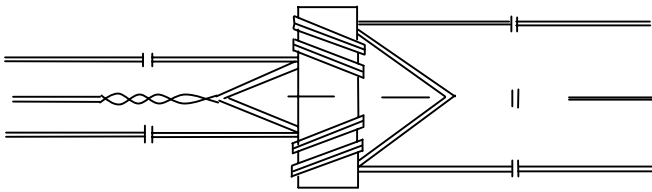
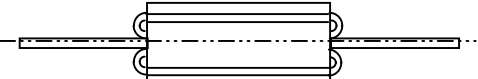
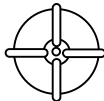
TOKEN MEANS QUALITY AND SERVICE

MODEL	DIMENSIONS (mm)			
DRCH-08	I			
DRCH-106	I			
DRCH-108	I			
DRCH-110	I			
DP87				



BALUN COILS

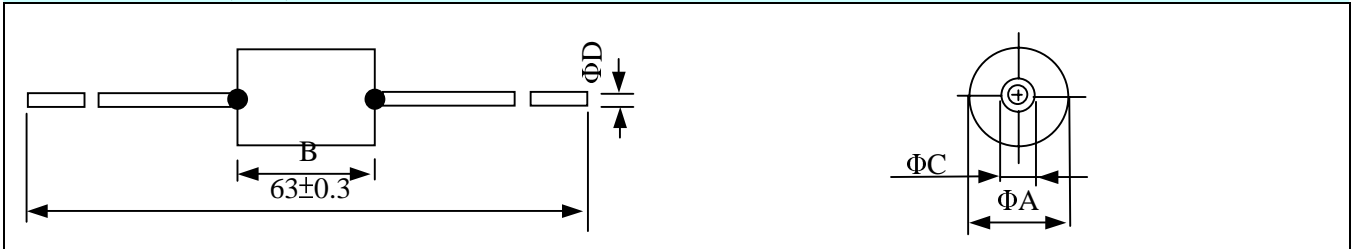
BALUN COILS

MODEL	USES	FEATURES
RDXX	Car radio T.V.; computer	Different sizes without or with base
RDXX	Car radio T.V. Computer	Different sizes without or with base
	Car radio T.V. Computer	Different sizes
		
		
		



EMI SUPPRESSORS

DIMENSIONS (mm)



MODEL	APPLICATIONS	FEATURES
TB	Waveform correction of digital signals from digital equipment and absorption of high-frequency noise from data lines	Use of high loss ferrite available in a wide range of values and configurations to suit most applications



TOKEN MEANS QUALITY AND SERVICE

SPECIFICATION TABLE

MODEL	SAMPL No	IMPEDIZANCE I Z (W)at 100MHz	DIMENSIONS(mm)					
			A	B	C	D		
TB33-10	850456	40±30%	3.50±0.20	3.00±0.20	1.00±0.10	0.6		
	850457	46±30%						
	850458	48±30%						
TB33-13	850459	33±30%	3.50±0.20	3.00±0.20	1.30±0.15	0.6		
	850460	36±30%						
	850461	40±30%						
	850462	38±30%						
	850463	42±30%						
TB34-09	850465	60±30%	3.50±0.20	4.50±0.20	0.90±0.10	0.6		
	850466	68±30%						
	850467	70±30%						
TB34-10	850468	56±30%			1.00±0.10		1.00±0.10	0.6
	850469	62±30%						
TB35-10	850470	68±30%	3.50±0.20	5.00±0.30	1.00±0.10	0.6		
	850471	58±30%						
	850472	68±30%						
TB35-13	850473	72±30%			1.30±0.15		1.30±0.15	0.6
	850474	48±30%						
	850475	56±30%						
	850476	52±30%						
	850477	40±30%						
TB36-08	850478	28±30%	3.50±0.20	6.00±0.30	0.80±0.10	0.6		
	850479	82±30%						
	850480	95±30%						
TB36-10	850481	92±30%			1.00±0.10		1.00±0.10	0.6
	850482	78±30%						
	850483	80±30%						
TB36-13	850484	86±30%	1.30±0.15	1.30±0.15	0.6			
	850485	56±30%						
	850486	64±30%						
TB38-10	850487	66±30%	3.50±0.20	8.00±0.30	1.00±0.10	0.6		
	850488	88±30%						
	850489	100±30%						
TB33-10	850490	115±30%	3.50±0.20	9.00±0.30	1.00±0.10	0.6		
	850492	95±30%						
	850493	112±30%						
	850494	118±30%						
	850495	116±30%						



SPRING COILS

SPRING COILS

MODEL	USES	FEATURES	SPECIFICATIONS
SC	FM Radio, Bp, Communication	Vertical pins out horizontal pins out clockwise or Anti-clock wise close wound	Operating frequency:10 MHz~500MHz wire type:2UM0.14~0.1mm color: gold/red/green/silver

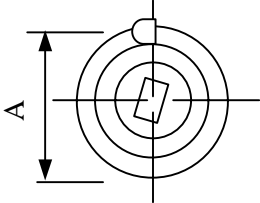
DIMENSIONS (mm)

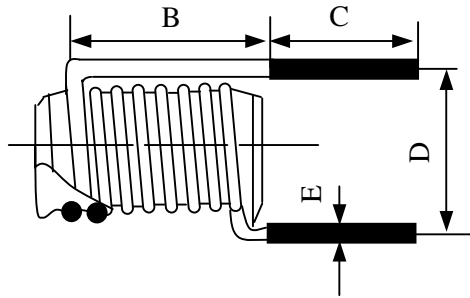
<p>Horizontal, Anit-clockwise, close wound FM coil</p>	<p>vertical, Anit-clockwise, close wound FM coil</p>
<p>Horizontal, Clockwise, Close Wound FM coil</p>	<p>SMD Spring Coil</p>



THREAD CORE COILS

THREAD CORE COILS

MODEL	USES	FEATURES	DIMENSIONS
TC	R.F. Radio, Communication products	Different sizes 2 kinds of screw cores: aluminum/ferrite small screw core with vertical/horizontal pins out	



MODEL	SPECIFICATIONS			DIMENSIONS				
	1	2	3	A	B	C	D	E
CT35	0.1~0.5 μ	10MHz ~ 200 MHz	Q: 50~90	3.2	5	12 \pm 2	4.0 \pm 2	STD0.4
CT38	0.1~2.0 μ		Q: 45~130	3.6	8		4.5 \pm 2	STD0.4
CT46	0.1~1.0 μ		Q: 40~120	4	6		5.0 \pm 2	STD0.4
CT69	0.1~2.5 μ		Q: 50~150	6	9		7.0 \pm 2	STD0.4



DRUM FERRITE CORE COILS

DRUM FERRITE CORE COILS

Specifications

1. Inductance 2. Operating Frequency 3. Inductance Tolerance

Features:

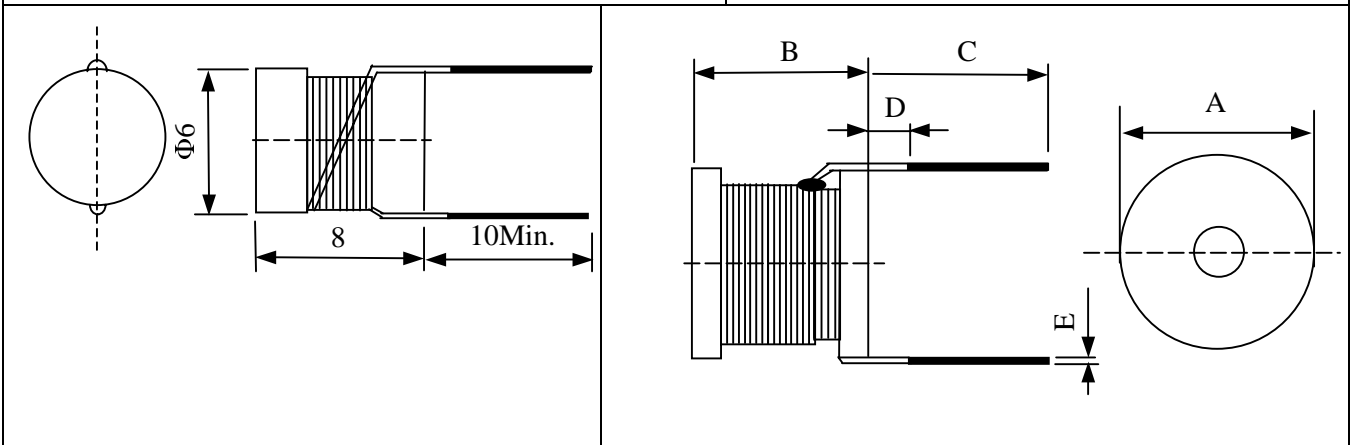
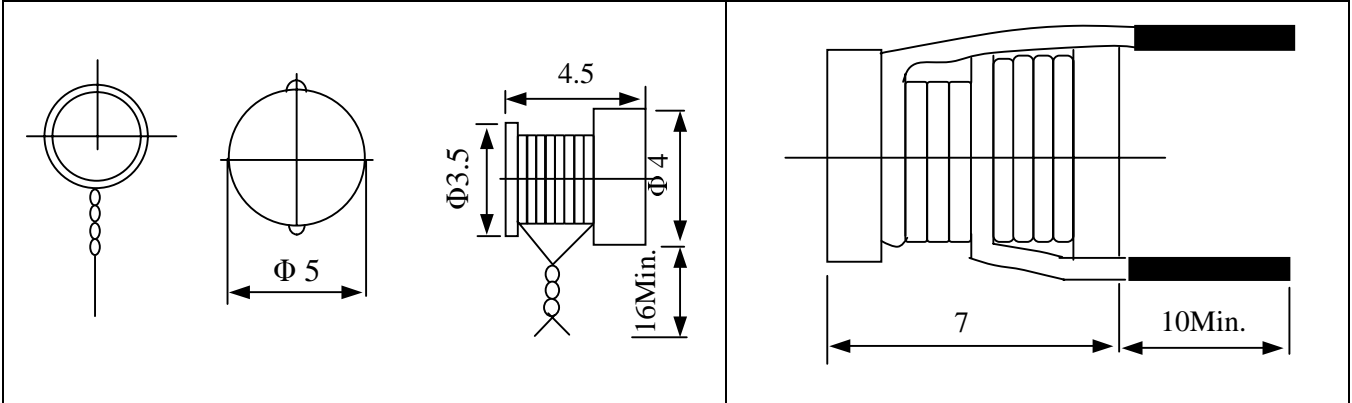
Winding on extremely big size cores which can produce high inductance value, ideal for frequency divider

Different sizes are available

Mostly used in Speaker Box

Customer design is available

MODEL	USES	FEATURES	SPECIFICATIONS
CD44	VTR, TV	Multi-medium or small current applicable	1.1 μ H ~ 300 μ H 2. 100kHz ~ 25MHz 3. L \pm 10%
CD57			1.1 μ H ~ 2mH 2. 100kHz ~ 25MHz 3. L \pm 10%
CD68			1.1 μ H ~ 5mH 2. 100kHz ~ 25MHz 3. L \pm 10%



MODEL	A (mm)	B (mm)	C (mm)	D (mm)	E (mm)
CD40	40.0 \pm 1	25.0 \pm 0.8	According to customer's requirement		
CD37	37.5 \pm 1	28.0 \pm 0.8			
CD35	35.0 \pm 1	26.0 \pm 0.8			
CD30	30.0 \pm 1	25.5 \pm 0.8			
CD22	22.0 \pm 1	19.0 \pm 0.8			



TOROID COILS

TOROID COILS

Specifications

1. Inductance 2. Operating frequency

Frequency: Enables you to make compact dummy choke coils for greater efficiency.

Less power loss and minimum thermal effect to peripheral components.

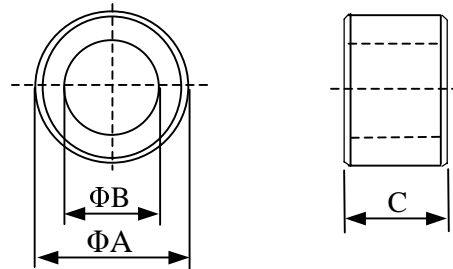
Perfectly matched to power supplies where average power and peak power differ greatly, with magnetic saturation kept minimum.

Low radiation noise based on its toroidal construction.

Various material can meet with a wide range of frequency requirement.

AL-VALUE

CA30-26	41.5	CA68-26A	49.9
CA37-26	32.7	CA72-26	100
CA50-26D	85	CA80-26D	79.4
CA50-26B	51.8	CA80-26	50.5
CA50-26	40.7	CA90-26	78.6
CA51-26C	101.6	CA106-26B	135
CA60-26	60.55	CA124-26	60.7
CA68-26	48.7	CA150-26	99.65



Model	Specification	Dimensions
T251015	1.0.01mH~1.0mH 2.10kHz~500Mhz	<p>Technical drawings of toroid coil T251015. The top left drawing shows a side view with dimensions 22Max. (width) and 28.2Max. (height). The top right drawing shows a top view with dimensions 35Max. (outer diameter), 4.5Min. (inner diameter), and $\Phi 1 \pm 0.1$ (hole diameter). The bottom drawing shows a detailed side view with dimensions 19.1\pm0.2 (width), 22.2\pm0.2 (height), 20\pm0.5 (height of a feature), and 15\pm0.5 (width of a feature).</p>



TOKEN MEANS QUALITY AND SERVICE

<p>T381121</p>	<p>1.0.01mHz~10mH 2.10kHz~500MHz</p>	
<p>RB (with base)</p>	<p>1.1 μH~600 μH 2.10kHz~120MHz</p>	
<p>RI</p>	<p>1.1 μH~600 μH 2.10kHz~120MHz</p>	



IFT&OSC.COILS

IFT&OSC.COILS

Specifications:

1.Inductance 2.Operating Frequency 3.Variable Range off& L 4.Internal Capacitors

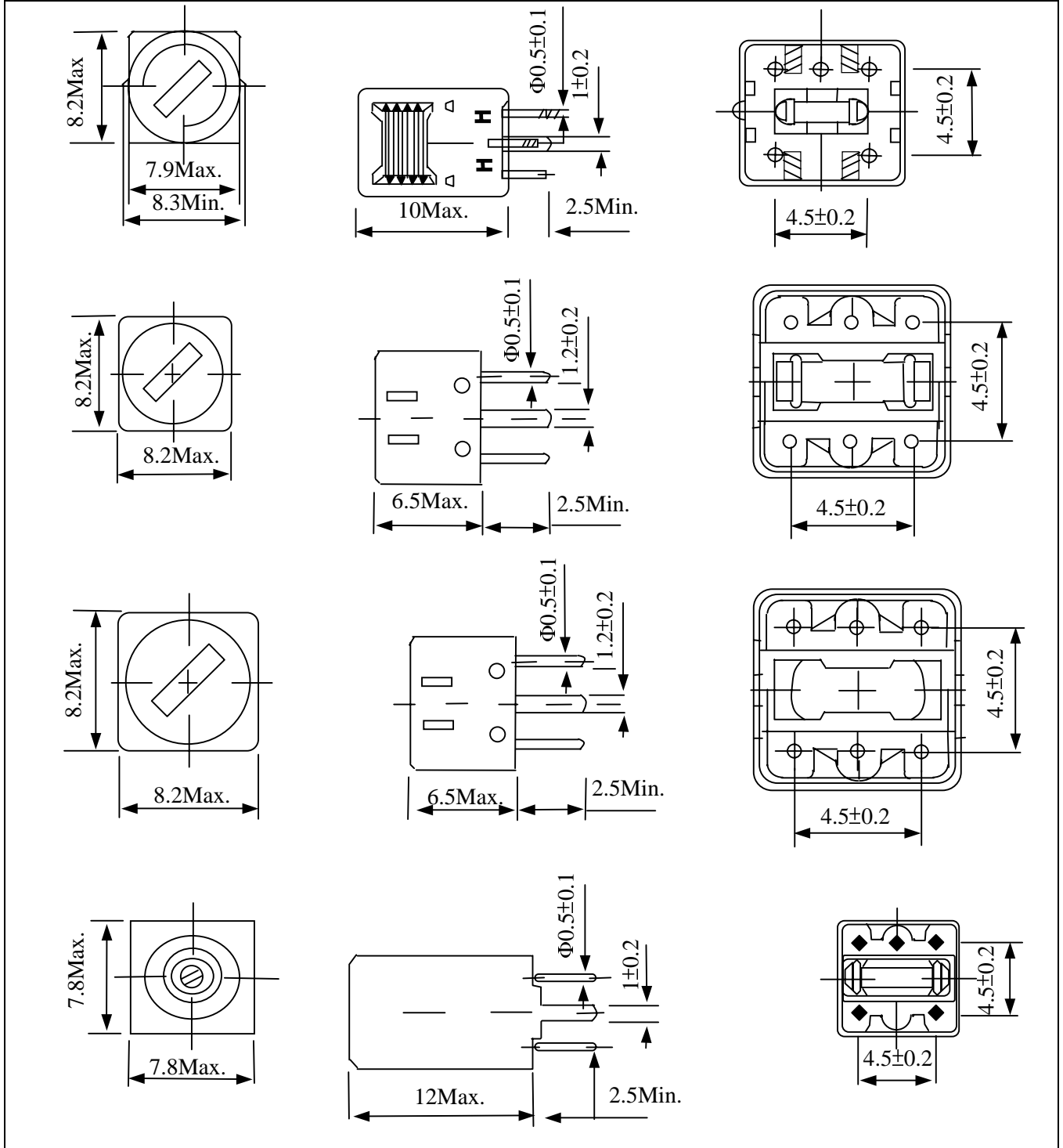
Model	FEATURES	USES	SPECIFICATIONS
7B	7mm BIAS W/O Holder High Stability	FM MPX Bias coil Trap Radio	1.100 μ H50mH 2.2.10kHz~500kHz 3.L \pm 8% 4.None or one
6F	6mm FM 4.5mm Pitch	I.F.T. R.F. Radio Transceiver	1.1 μ H~100 μ H 2.2MHz~20MHz 3.L \pm 3% 4.10pF~100pH
6S	6mm SW 4.5mm Pitch	OSC. R.F. Radio T.V.	1.1 μ H~100 μ H 2.2MHz~20MHz 3.L \pm 6% 4.None
7K	7mm High Stability Low Temp. coef.	R.F.OSC.ANT. Radio T.V. Cordless Phone remote control unit	1.0.03 μ H~50 μ H 2.5MHz~200MHz 3. L \pm 6% f \pm 3% 4.5pF~100pF or None
K-155	10mm W/O Shielding	I.F.T.R.F.OSC. Radio T.V. Transceiver	1.0.03 μ H~300 μ H 2.5MHz~200MHz 3. L \pm 6% f \pm 3% 4.5pF~100pF or None
K-175	7mm W/O case	R.F.OSC.ANT. Radio T.V. Cordless Phone remote control unit	1.0.03 μ H~50 μ H 2.5MHz~200MHz 3. L \pm 6% f \pm 3% 4.5pF~100pF or None
KB-15	10mm Top and Bottom Tunable	RF&OSC. For FM&SW Radio, T.V. Transceiver	1.0.03 μ H~30 μ H 2.5MHz~200MHz 3. L \pm 6% f \pm 3% 4.5pF~100pF or None
KB-35-1	7mm Top and Bottom Tunable	RF&OSC. For FM&SW Radio, T.V. Transceiver	1.0.03 μ H~50 μ H 2.5MHz~200MHz 3. L \pm 6% f \pm 3% 4.5pF~100pF or None
KB-35-2	7mm Top and Bottom Tunable	RF&OSC. For FM&SW Radio, T.V. Transceiver	1.30 μ H~3mH 2.5kHz~200kHz 3. L \pm 6% f \pm 3% 4. None
5K	5mm Low Profile high stability	R.F.OSC.ANT. Radio T.V. Cordless Phone remote control unit	1.0.03 μ H~12 μ H 2.5MHz~300MHz 3. L \pm 5% f \pm 3% 4. None 5.30min



TOKEN MEANS QUALITY AND SERVICE

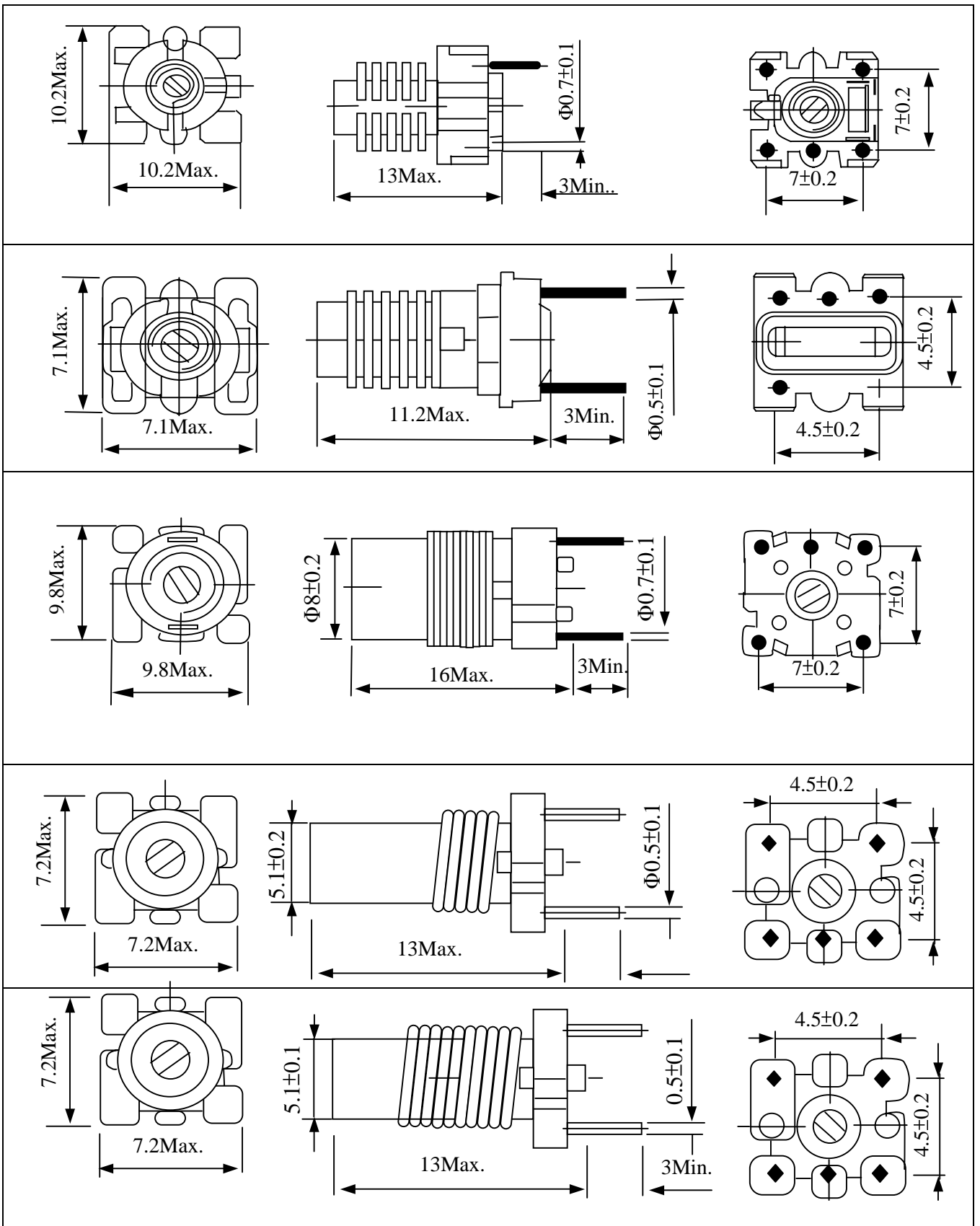
Model	FEATURES	USES	SPECIFICATIONS
Ft11	Ideal for use in R.F. *Ferrite core, Aluminum core and Brass core are available		1.0.3 μ H~ max 2.20MHz~200MHz 3. C \pm 3~6% 4.30~126
Ft39	Low profile Suitable for devices with severe space limitations. *Ferrite core, Aluminum core and Brass core are available		1.0.18 μ H max 2.20MHz~200MHz 3.C \pm 3~6% 4.50~140

DIMENSIONS (mm)



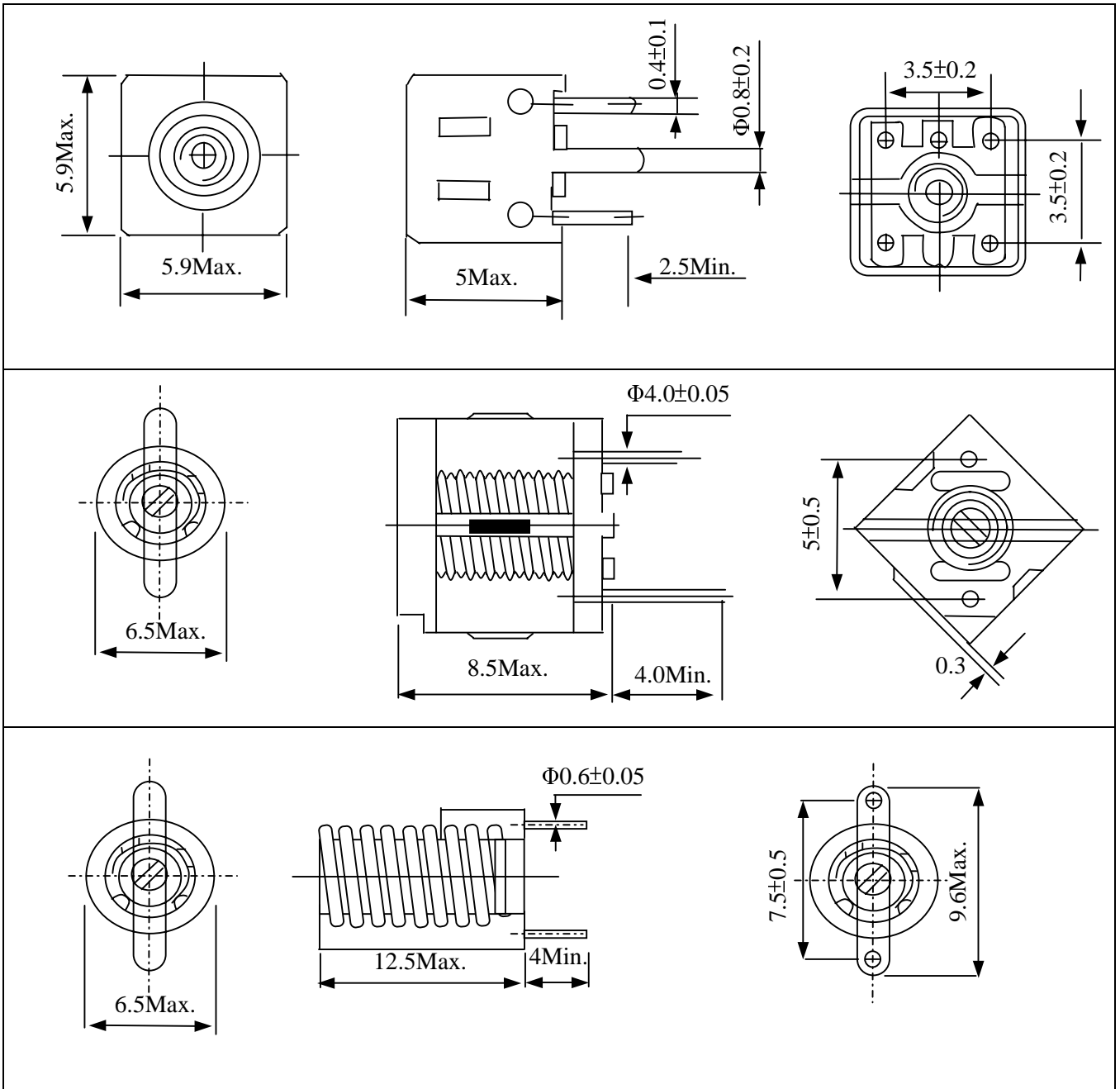


TOKEN MEANS QUALITY AND SERVICE





TOKEN MEANS QUALITY AND SERVICE





PEAKING COILS

PEAKING COILS

Specifications

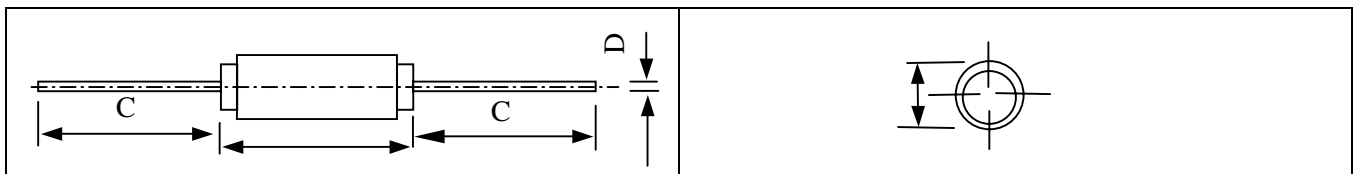
1. Inductance 2. Operating frequency

MODEL	USES	FEATURES	SPECIFICATIONS
LGD	Power supply, T.V. recorder ANT., OSC	-5 different sizes -Ferrite and phenolic core are available -axial type leads	1.1 μ H~1000 μ H 2.100KHz~200MHz

SPECIFICATION TABLE OF PEAKING COIL

MODEL	DIMENSIONS (mm)				Inductance (μ H)	DCR (Ω)	Measuring Frequency
	A	B	C	D			
LGD0309	3	9.4 \pm 0.3	29 \pm 1	0.6	1.0~1000	0.011~0.954	1KHz
LGD0414	4	14 \pm 0.6	28 \pm 1	0.6	1.0~1000	0.011~0.954	1KHz
LGD0520	5	20 \pm 1.0	21 \pm 1	0.6	1.0~1000	0.011~0.954	1KHz
LGD0620	6	20 \pm 1.0	38 \pm 1	0.6	1.0~1000	0.011~0.954	1KHz
LGD0630	6	30 \pm 1.0	38 \pm 1	0.6	1.0~1000	0.011~0.954	1KHz

DIMENSIONS





FERRITE BAR COILS

FERRITE BAR COILS

Specifications:

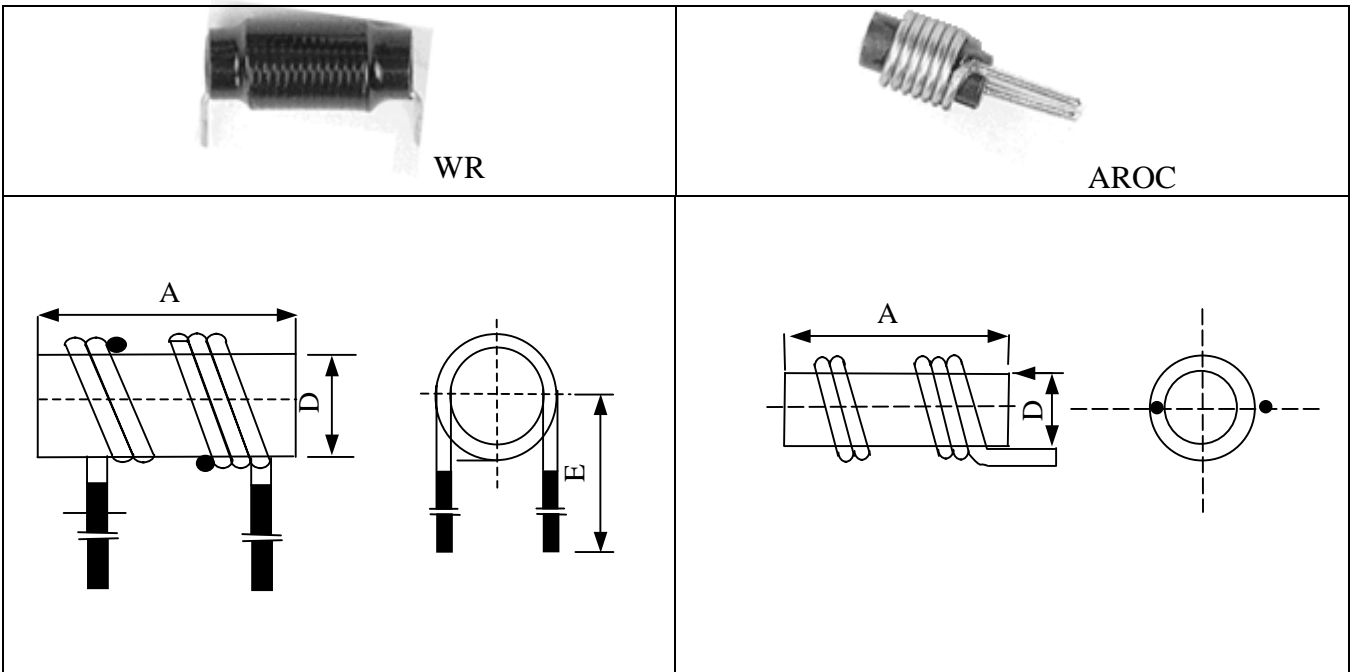
1. Inductance
2. Operating Frequency
3. Rated Current

MODEL	USES	FEATURES
WR	Power supply Car radio T.V. recorder	-different sizes -small ferrite bar with vertical/horizontal -coated with UL tube/Varnish
AROC	Radio control clock Match with external capacitor	-Different sizes -small ferrite bar with self-bonding wire coil

SPECIFICATION TABLE

MODEL NO	SPECIFICATIONS			DIMENSIONS			
	1	2	3	A	C	D	E
WR3A	0.5~3 μ H	120MHz ~ 25MHz	3A max.	10 \pm 1	0.5~0.1	3 \pm 0.3	STD20
WR6K	5~60 μ H		10A max.	20 \pm 1	0.5~0.1	6 \pm 0.5	STD20
WR6U	10~160 μ H			30 \pm 1	0.5~0.1	6 \pm 0.5	STD20
WR8P	10~80 μ H		25 \pm 1	0.5~0.1	8 \pm 0.5	STD20	

DIMENSIONS (mm)

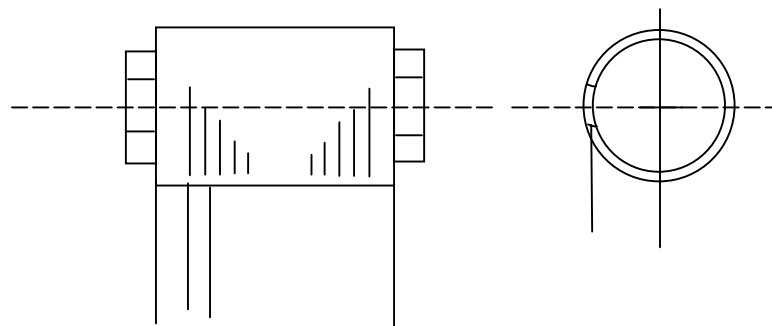
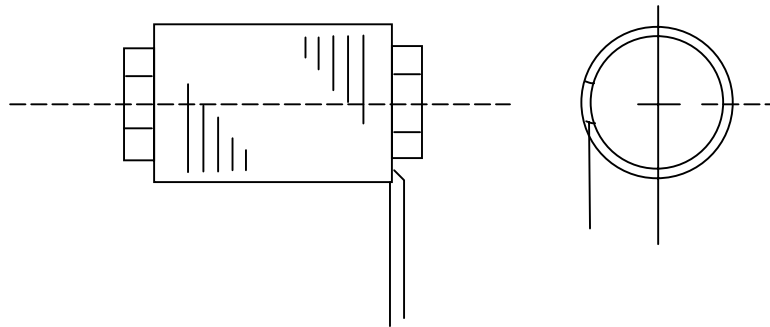
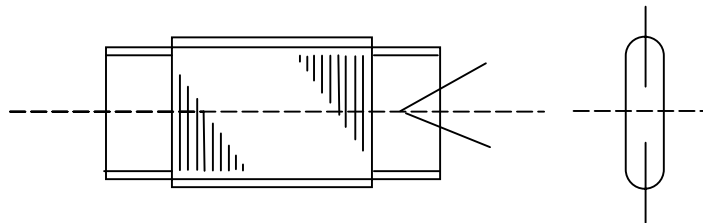
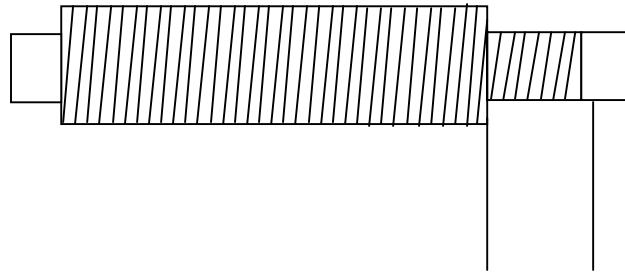




ANTENNA COILS

ANTENNA COILS

Model	USES	FEATIRES	SPEC.
ANC	Radio Frequency clock	Round Ferrite bar Antenna coil with Rectangle ferrite bar, paper hoider&2 windings	
ANC	AM Radio	Progressive windings with silk copper wire or enameled copper wire Antenna coil with Round ferrite bar & holder &2 winding methods	MW LW & MW





LINE FILTERS

LINE FILTERS

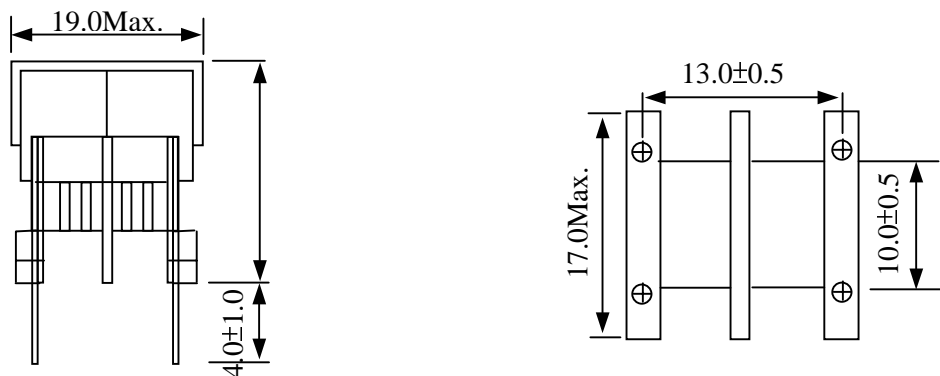
FEATURES:

An open-body anti-noise choke coil featuring a large inductance for a great noise control effect.
Good and stable performance with low price.

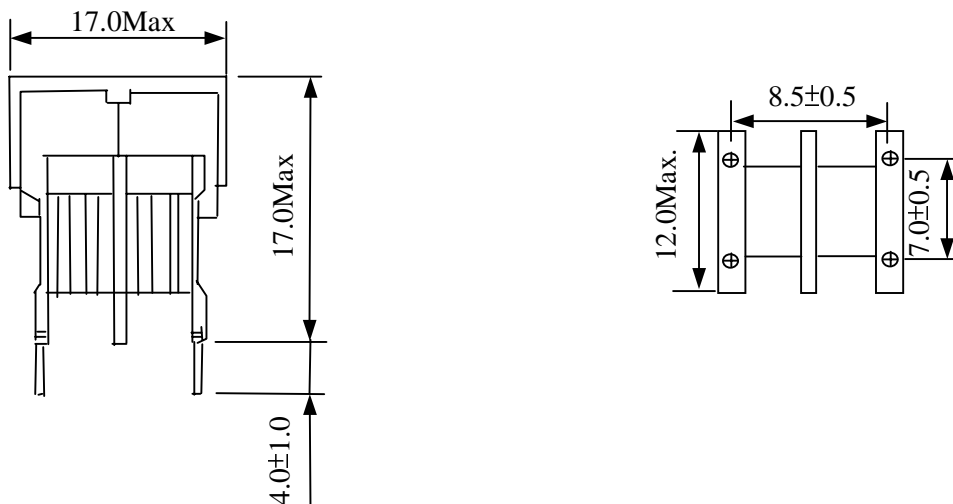
APPLICATION:

TVs, VCRs, PCs, Word Processors, ECRS, POS terminals, game machines, measuring instruments peripheral units ,car electronic equipment.

WLF922 Name of Core: UF10.2; Name of Bobbin: YC-U1001



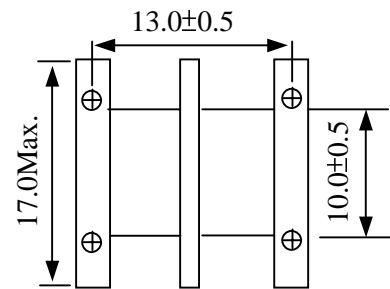
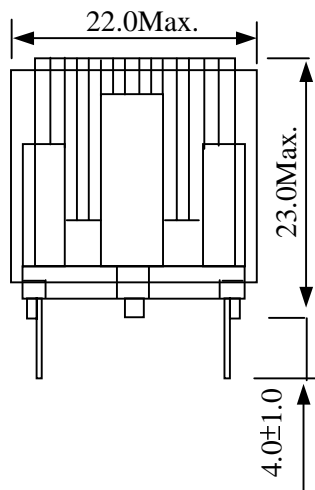
WLF1717V Name of Core: UF9.8; Name of bobbin: YC-U1201



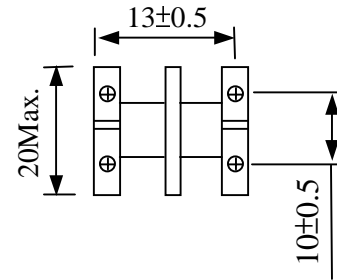
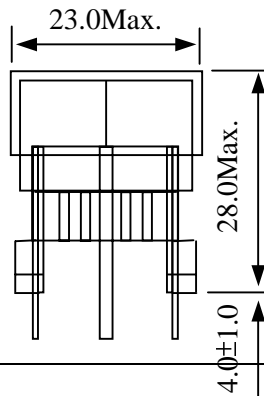


TOKEN MEANS QUALITY AND SERVICE

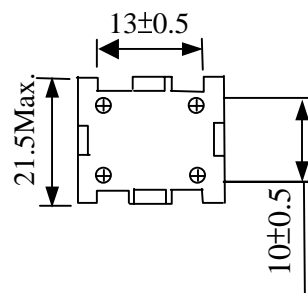
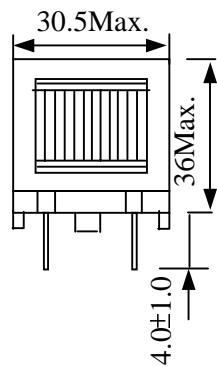
WTF922 Name of Core: ET20; Name of bobbin: ET2001, ET2002



WLF2327 Name of Core: UF16; Name of Bobbin: U1601



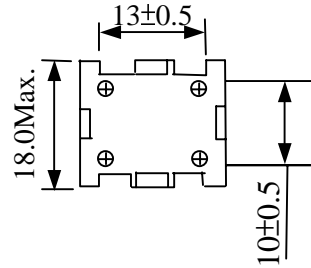
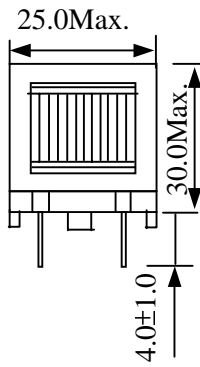
WTF2835 Name of Core: ET28; Name of Bobbin: ET2814, ET3515



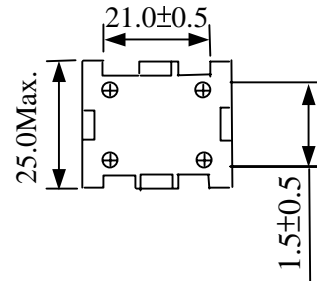
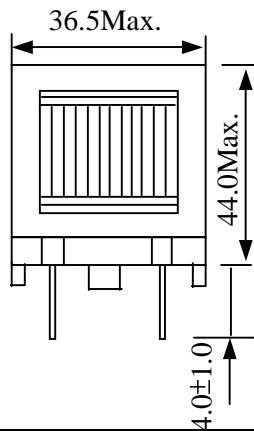


TOKEN MEANS QUALITY AND SERVICE

WTF2430 Name of Core: ET24; Name of Bobbin: ET2410, ET 2407



WTF3542 Name of Core: ET35; Name of Bobbin: ET3516, ET3517



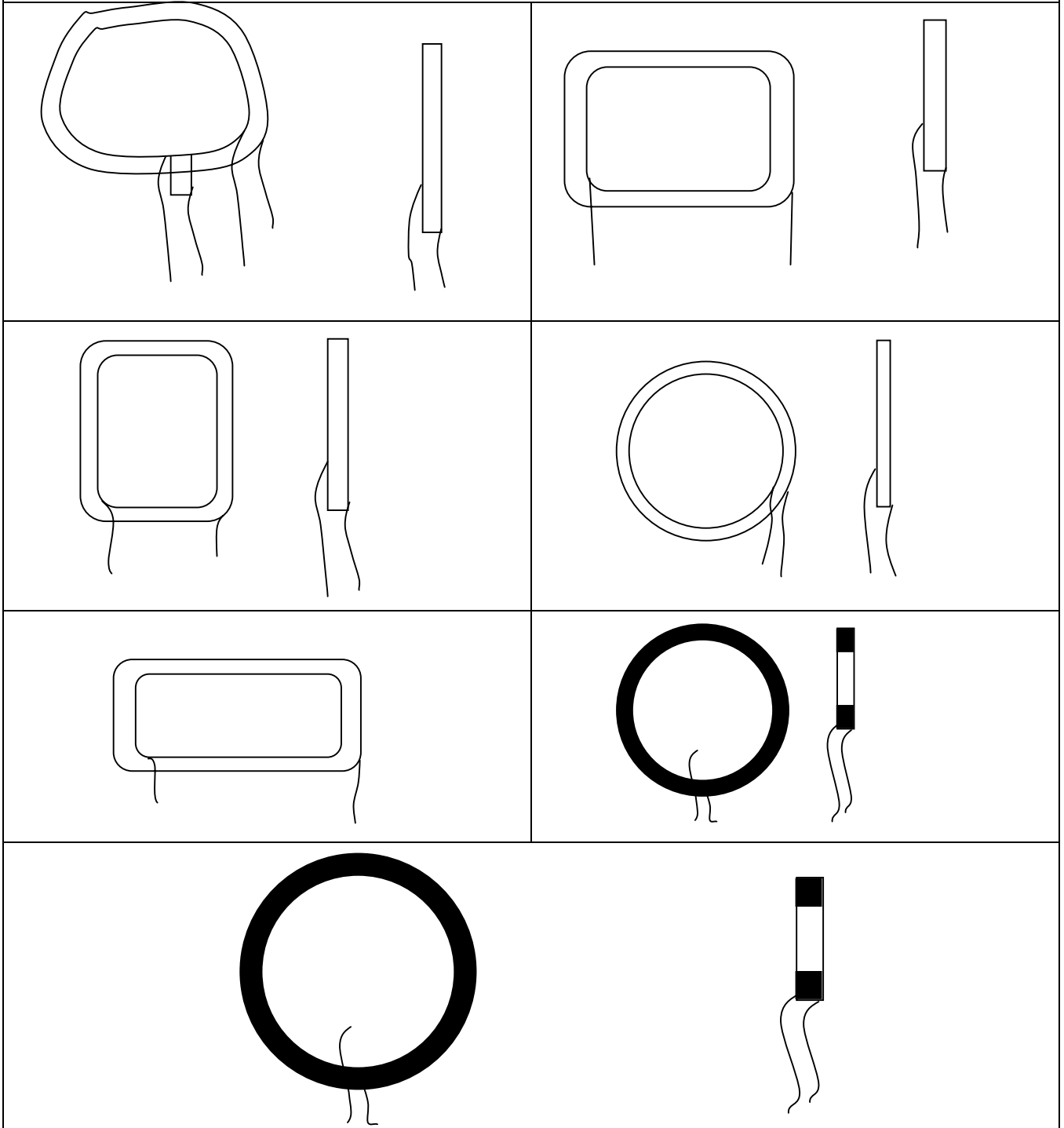


SELF-BONDED COILS

SELF-BONDED COILS

1. Uses: Electronic clock, speaker, Toys, ID card systems, electro-mechanical displays, antennas and remote control devices.

2.Features: windings are bond by a strong adhesive and to not require the support of plastic formers, hence these coils are economical .





SOLENOID COILS

SOLENOID COILS

FEATURES: This inductive components are made of self-injected plastic bobbins wound by fast , fully automated multiple-broach machines to keep production cost low .
Relative metal processing and assembling is also available.
Customer design is available.

APPLICATIONS:

Domestic appliances, Counters , replays, Automations and other electro-mechanical devices

