

# 行线性线圈

## LINEARITY COIL

### 1. 适用范围Scope

行线性线圈适用于电视机和显示器。

LINEARITY COIL IS TO SPECIFY THE REQUIREMENTS OF TV AND MONITOR.

### 2. 适用环境ENVIRONMENT

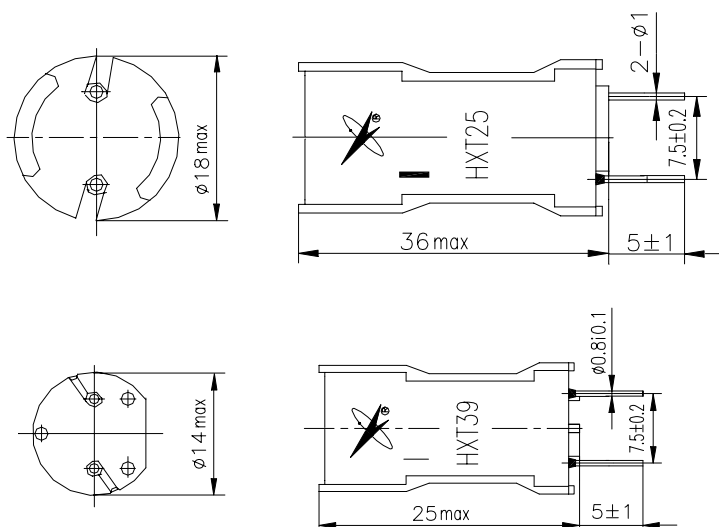
温度TEMP.:  $-10^{\circ}\text{C} \sim +55^{\circ}\text{C}$

相对湿度:  $40^{\circ}\text{C}$ 时不大于90%

RELATIVE HUMIDITY: when  $40^{\circ}\text{C}$  not more than 90%

大气压ATMOSPHERIC PRESSURE:  $86 \sim 106\text{kpa}$

### 3. 外型尺寸CONFIGURATION & DIMENSIONS



### 4. 电气参数ELECTRICAL CHARACTERISTICS

型号 Type	直流叠加 Direct current superimposed (uH)					耐电压 Withstandi ng voltage	绝缘电阻 Insulation resistance (at DC 500V)
	-3A	0A	3A				
HXT2 5	$\leq 17$	$24 \pm 15\%$	$140 \pm 15\%$			AC1.0KV 1min	$\geq 100\text{M}\Omega$
HXT3 9	-1.5A	-1.0A	0A	1A	1.5A		
	$22 \pm 25\%$	$24 \pm 25\%$	$39 \pm 10\%$	$191 \pm 25\%$	$206 \pm 20\%$	AC1.0KV 1min	$\geq 100\text{M}\Omega$

声明: 本资料仅供参考, 如有更改, 恕不通知

-2-

[Http://www.changhong.com/component](http://www.changhong.com/component)