

6

5

4

3

2

1

D

C

B

A

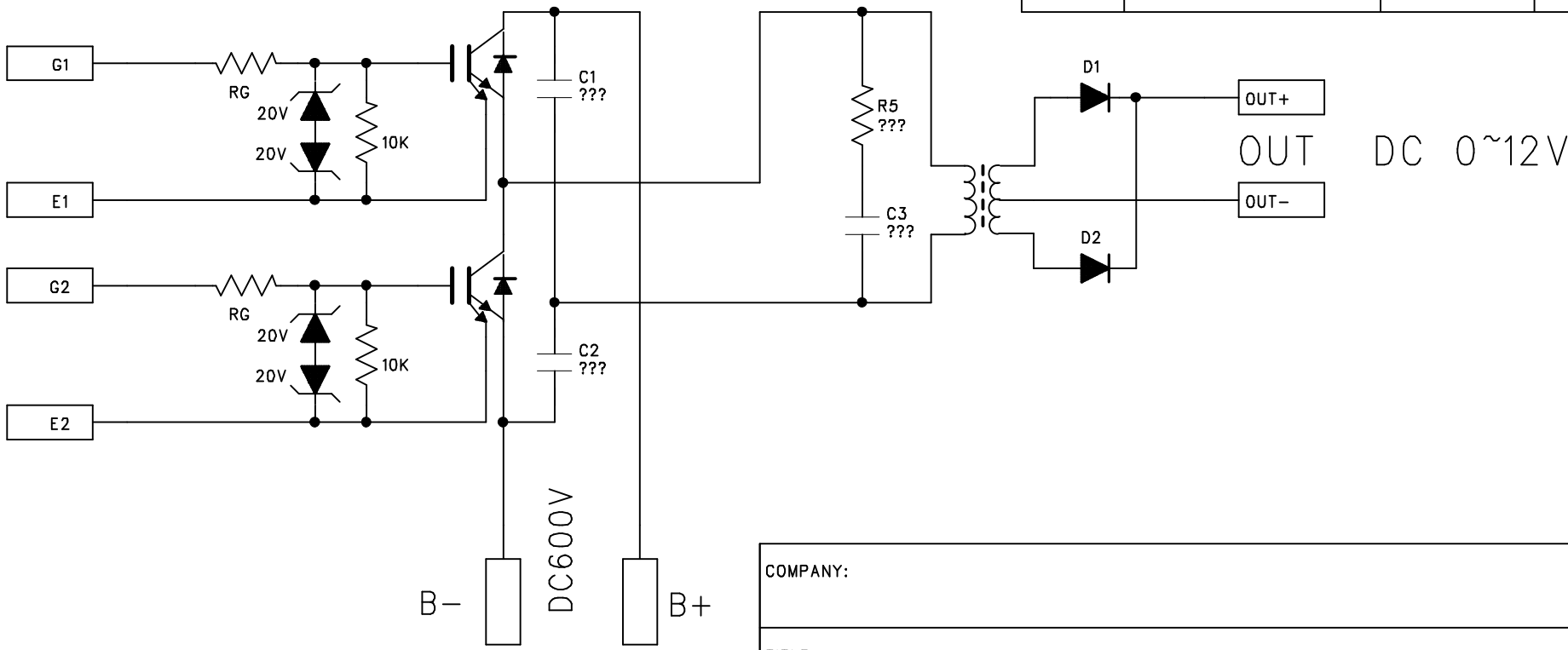
D

C

B

A

REVISION RECORD			
LTR	ECO NO:	APPROVED:	DATE:



OUT+
OUT-
DC 0~12V

COMPANY:

TITLE:
668A DC OUT SCH

DRAWN: sheng	DATED: 2005/08/22
CHECKED:	DATED:
QUALITY CONTROL:	DATED:
RELEASED:	DATED:

CODE:	SIZE:	DRAWING NO: 12-668A01-00	REV: 1.0
SCALE:		SHEET: 1 OF 1	