

6

5

4

3

2

1

REVISION RECORD			
LTR	ECO NO:	APPROVED:	DATE:

D

C

B

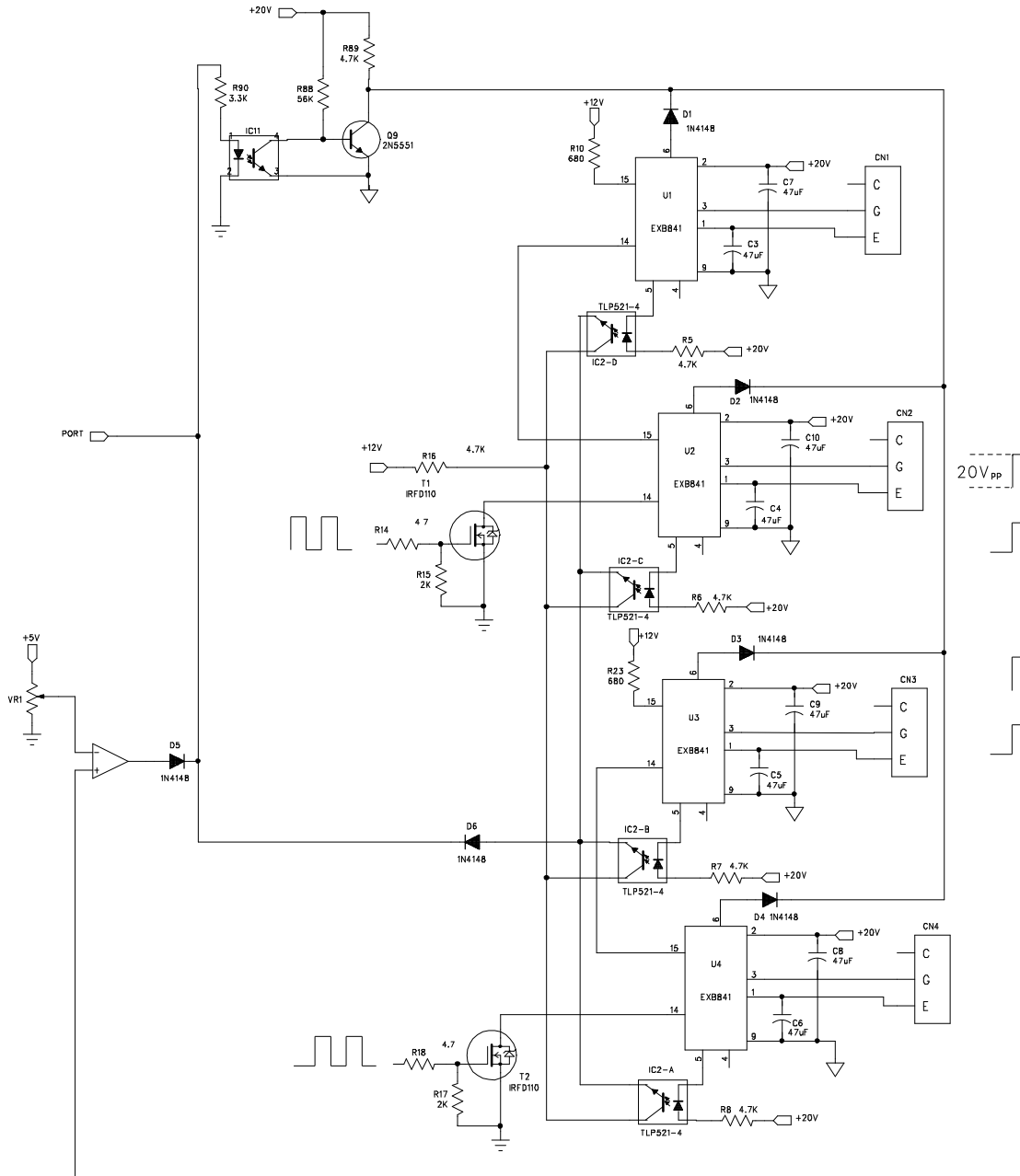
A

D

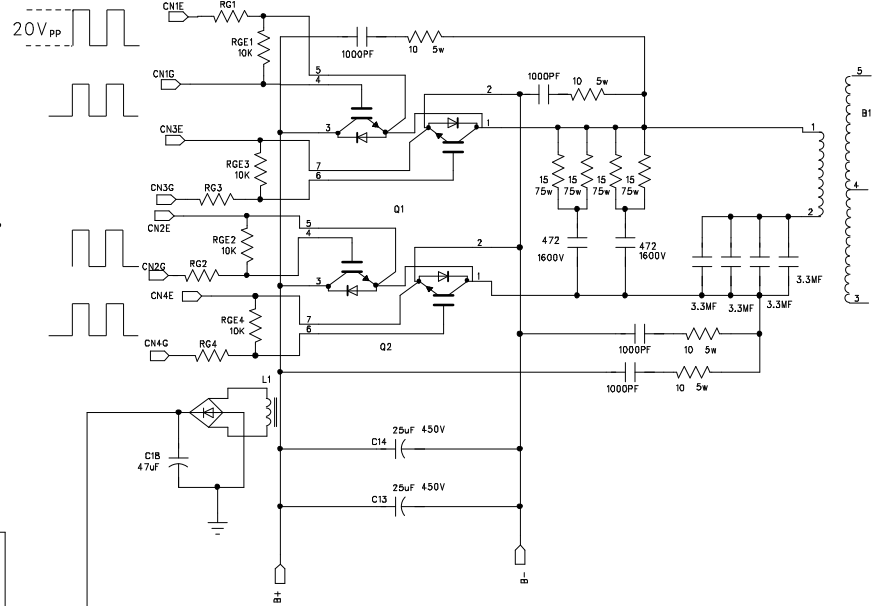
C

B

A



IGBT	600V	200A	300A	400A	
	1200V	100A	150A	200A	300A
RG	12R	8R2	5R	3R3	



COMPANY:			
TITLE:			
DRAWN: sheng	DATED: 2005/07/26	CODE:	SIZE:
CHECKED:	DATED:	DRAWING NO:	REV:
QUALITY CONTROL:	DATED:	SCALE:	
RELEASED:	DATED:	SHEET: OF	

6

5

4

3

2

1

REVISION RECORD			
LTR	ECO NO:	APPROVED:	DATE:

D

C

B

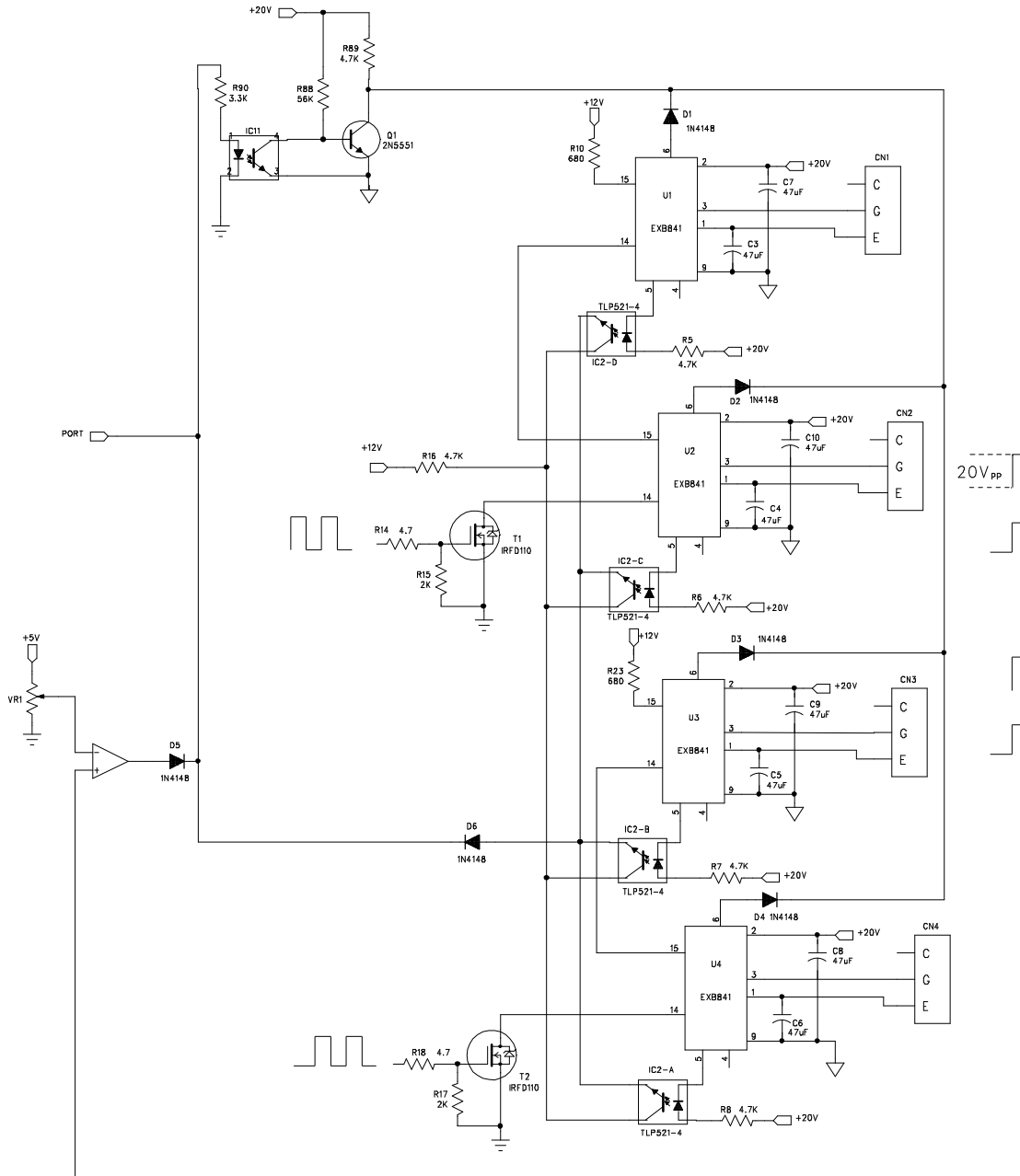
A

D

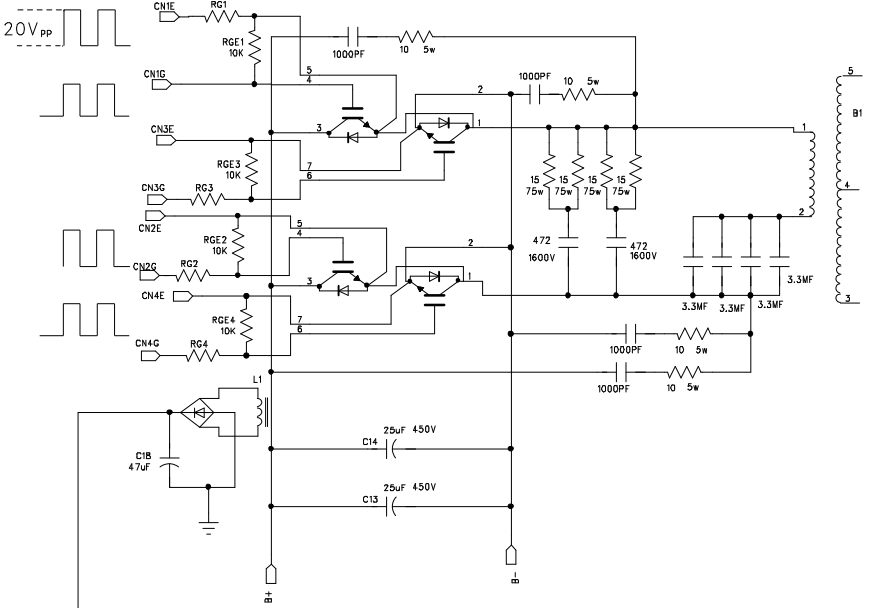
C

B

A



IGBT	600V	200A	300A	400A		
	1200V	100A	150A	200A	300A	
RG	12R	8R2	5R	3R3		



COMPANY:			
TITLE:			
DRAWN: sheng	DATED: 2005/07/26	CODE:	SIZE:
CHECKED:	DATED:	DRAWING NO:	REV:
QUALITY CONTROL:	DATED:	SCALE:	SHEET: OF
RELEASED:	DATED:		