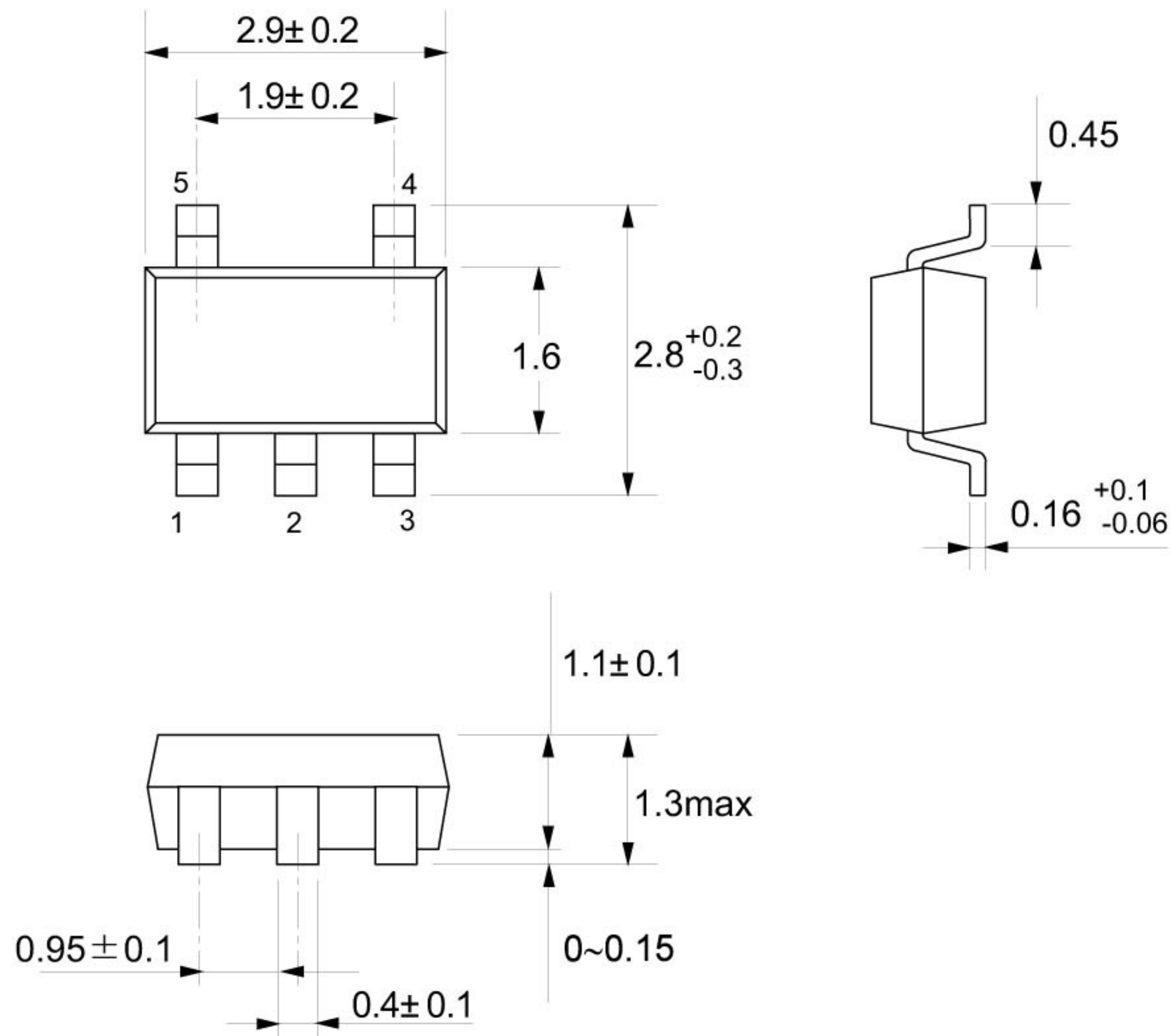


■ SOT-23-5

MP005-A 990531

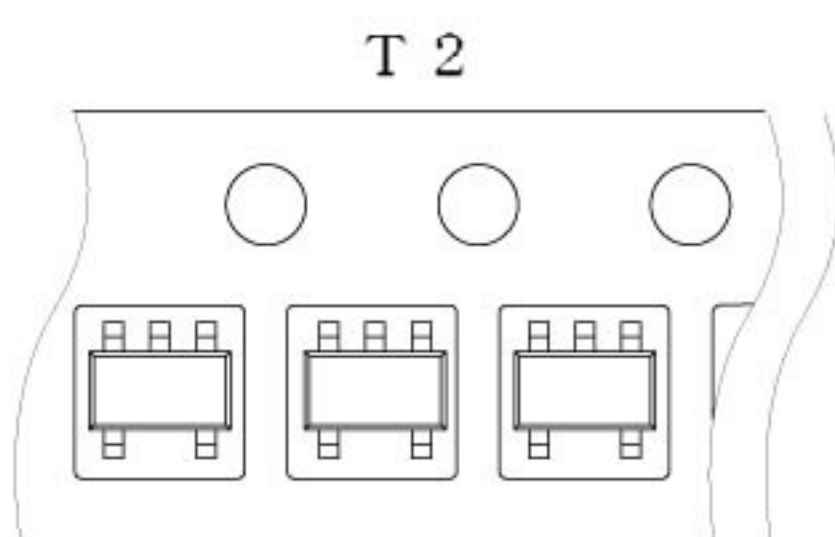
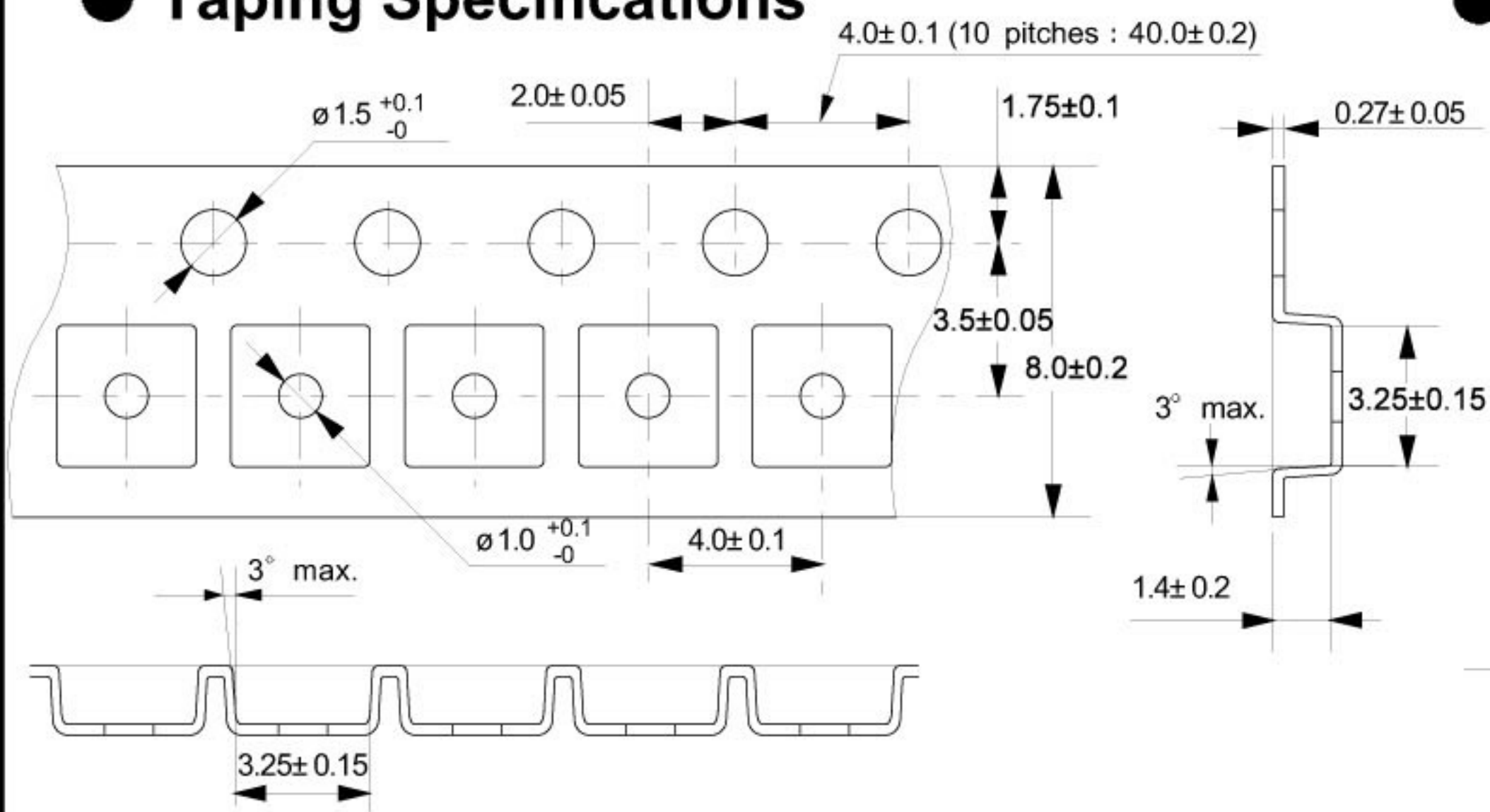
Unit : mm

● Dimensions



No. : MP005-A-P-SD-1.0

● Taping Specifications

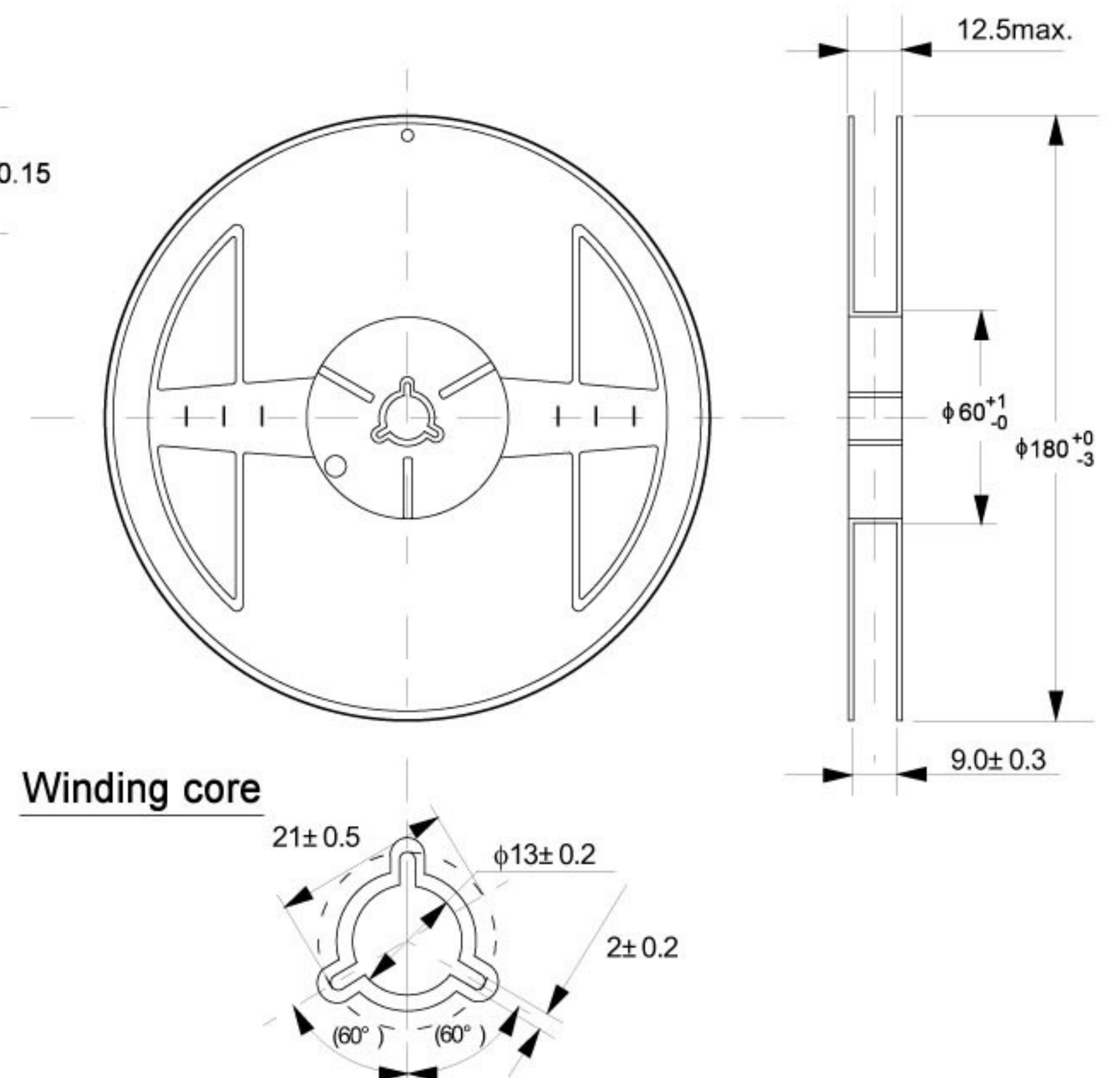


Feed direction →

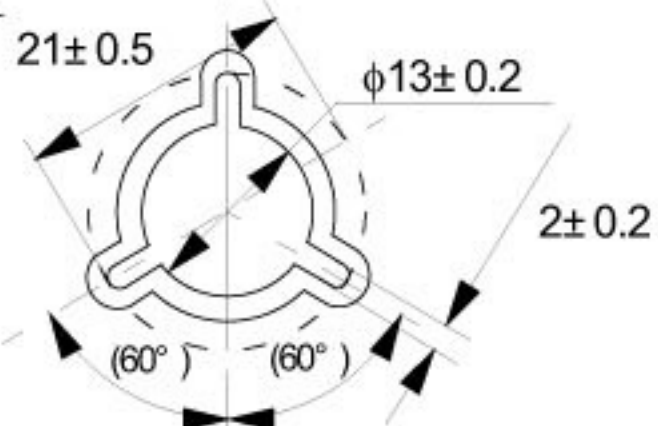
No. : MP005-A-C-SD-1.0

● Reel Specifications

1 reel holds 3000 ICs.



Winding core



No. : MP005-A-R-SD-1.0