

INTERNATIONAL  
STANDARD

IEC  
60335-2-48

Fourth edition  
2002-11

---

---

**Household and similar electrical appliances –  
Safety –**

**Part 2-48:  
Particular requirements for commercial  
electric grillers and toasters**

*Appareils électrodomestiques et analogues –  
Sécurité –*

*Partie 2-48:  
Règles particulières pour les grils et grille-pain  
électriques à usage collectif*



Reference number  
IEC 60335-2-48:2002(E)

## Publication numbering

As from 1 January 1997 all IEC publications are issued with a designation in the 60000 series. For example, IEC 34-1 is now referred to as IEC 60034-1.

## Consolidated editions

The IEC is now publishing consolidated versions of its publications. For example, edition numbers 1.0, 1.1 and 1.2 refer, respectively, to the base publication, the base publication incorporating amendment 1 and the base publication incorporating amendments 1 and 2.

## Further information on IEC publications

The technical content of IEC publications is kept under constant review by the IEC, thus ensuring that the content reflects current technology. Information relating to this publication, including its validity, is available in the IEC Catalogue of publications (see below) in addition to new editions, amendments and corrigenda. Information on the subjects under consideration and work in progress undertaken by the technical committee which has prepared this publication, as well as the list of publications issued, is also available from the following:

- **IEC Web Site ([www.iec.ch](http://www.iec.ch))**
- **Catalogue of IEC publications**

The on-line catalogue on the IEC web site ([http://www.iec.ch/searchpub/cur\\_fut.htm](http://www.iec.ch/searchpub/cur_fut.htm)) enables you to search by a variety of criteria including text searches, technical committees and date of publication. On-line information is also available on recently issued publications, withdrawn and replaced publications, as well as corrigenda.
- **IEC Just Published**

This summary of recently issued publications ([http://www.iec.ch/online\\_news/justpub/jp\\_entry.htm](http://www.iec.ch/online_news/justpub/jp_entry.htm)) is also available by email. Please contact the Customer Service Centre (see below) for further information.
- **Customer Service Centre**

If you have any questions regarding this publication or need further assistance, please contact the Customer Service Centre:

Email: [custserv@iec.ch](mailto:custserv@iec.ch)  
Tel: +41 22 919 02 11  
Fax: +41 22 919 03 00

# INTERNATIONAL STANDARD

# IEC 60335-2-48

Fourth edition  
2002-11

---

---

## Household and similar electrical appliances – Safety –

### Part 2-48: Particular requirements for commercial electric grillers and toasters

*Appareils électrodomestiques et analogues –  
Sécurité –*

*Partie 2-48:  
Règles particulières pour les grils et grille-pain  
électriques à usage collectif*

© IEC 2002 — Copyright - all rights reserved

No part of this publication may be reproduced or utilized in any form or by any means, electronic or mechanical, including photocopying and microfilming, without permission in writing from the publisher.

International Electrotechnical Commission, 3, rue de Varembe, P.O. Box 131, CH-1211 Geneva 20, Switzerland  
Telephone: +41 22 919 02 11 Telefax: +41 22 919 03 00 E-mail: [inmail@iec.ch](mailto:inmail@iec.ch) Web: [www.iec.ch](http://www.iec.ch)



Commission Electrotechnique Internationale  
International Electrotechnical Commission  
Международная Электротехническая Комиссия

PRICE CODE

**J**

*For price, see current catalogue*

## CONTENTS

FOREWORD .....	3
INTRODUCTION .....	5
1 Scope .....	6
2 Normative references.....	6
3 Definitions .....	6
4 General requirement.....	7
5 General conditions for the tests .....	7
6 Classification .....	8
7 Marking and instructions .....	8
8 Protection against access to live parts .....	9
9 Starting of motor-operated appliances .....	9
10 Power input and current.....	10
11 Heating.....	10
12 Void .....	11
13 Leakage current and electric strength at operating temperature .....	11
14 Transient overvoltages.....	11
15 Moisture resistance.....	11
16 Leakage current and electric strength .....	12
17 Overload protection of transformers and associated circuits.....	12
18 Endurance .....	12
19 Abnormal operation.....	12
20 Stability and mechanical hazards.....	13
21 Mechanical strength.....	13
22 Construction .....	13
23 Internal wiring .....	14
24 Components .....	14
25 Supply connection and external flexible cords.....	14
26 Terminals for external conductors .....	15
27 Provision for earthing.....	15
28 Screws and connections .....	15
29 Clearances, creepage distances and solid insulation .....	15
30 Resistance to heat and fire .....	16
31 Resistance to rusting .....	16
32 Radiation, toxicity and similar hazards .....	16
 Annexes.....	 18
 Bibliography.....	 18
 Figure 101 – Splash apparatus.....	 17

## INTERNATIONAL ELECTROTECHNICAL COMMISSION

**HOUSEHOLD AND SIMILAR ELECTRICAL APPLIANCES –  
SAFETY –****Part 2-48: Particular requirements for commercial  
electric grillers and toasters**

## FOREWORD

- 1) The IEC (International Electrotechnical Commission) is a worldwide organization for standardization comprising all national electrotechnical committees (IEC National Committees). The object of the IEC is to promote international co-operation on all questions concerning standardization in the electrical and electronic fields. To this end and in addition to other activities, the IEC publishes International Standards. Their preparation is entrusted to technical committees; any IEC National Committee interested in the subject dealt with may participate in this preparatory work. International, governmental and non-governmental organizations liaising with the IEC also participate in this preparation. The IEC collaborates closely with the International Organization for Standardization (ISO) in accordance with conditions determined by agreement between the two organizations.
- 2) The formal decisions or agreements of the IEC on technical matters express, as nearly as possible, an international consensus of opinion on the relevant subjects since each technical committee has representation from all interested National Committees.
- 3) The documents produced have the form of recommendations for international use and are published in the form of standards, technical specifications, technical reports or guides and they are accepted by the National Committees in that sense.
- 4) In order to promote international unification, IEC National Committees undertake to apply IEC International Standards transparently to the maximum extent possible in their national and regional standards. Any divergence between the IEC Standard and the corresponding national or regional standard shall be clearly indicated in the latter.
- 5) The IEC provides no marking procedure to indicate its approval and cannot be rendered responsible for any equipment declared to be in conformity with one of its standards.
- 6) Attention is drawn to the possibility that some of the elements of this International Standard may be the subject of patent rights. The IEC shall not be held responsible for identifying any or all such patent rights.

This part of International Standard IEC 60335 has been prepared by IEC subcommittee 61E: Safety of electrical commercial catering equipment, of IEC technical committee 61: Safety of household and similar electrical appliances.

This fourth edition cancels and replaces the third edition published in 2000. It constitutes a technical revision.

The text of this part of IEC 60335 is based on the following documents:

FDIS	Report on voting
61E/409/FDIS	61E/423/RVD

Full information on the voting for the approval of this standard can be found in the report on voting indicated in the above table.

This part 2 is to be used in conjunction with the latest edition of IEC 60335-1 and its amendments. It was established on the basis of the fourth edition (2001) of that standard.

NOTE 1 When "Part 1" is mentioned in this standard, it refers to IEC 60335-1.

This part 2 supplements or modifies the corresponding clauses in IEC 60335-1, so as to convert that publication into the IEC standard: Safety requirements for commercial electric grillers and toasters.

When a particular subclause of Part 1 is not mentioned in this part 2, that subclause applies as far as is reasonable. When this standard states "addition", "modification" or "replacement", the relevant text in Part 1 is to be adapted accordingly.

NOTE 2 The following numbering system is used:

- subclauses, tables and figures that are numbered starting from 101 are additional to those in Part 1;
- unless notes are in a new subclause or involve notes in Part 1, they are numbered starting from 101, including those in a replaced clause or subclause;
- additional annexes are lettered AA, BB, etc.

NOTE 3 The following print types are used:

- requirements: in roman type;
- *test specifications: in italic type;*
- notes: in small roman type.

Words in **bold** in the text are defined in Clause 3. When a definition of Part 1 concerns an adjective, the adjective and the associated noun are also in bold.

The committee has decided that the contents of this publication will remain unchanged until 2004. At this date, the publication will be

- reconfirmed;
- withdrawn;
- replaced by a revised edition, or
- amended.

The following differences exist in the countries indicated below.

- 6.1: Class 01 appliances are allowed (Japan).
- 6.2: For appliances intended to be installed in a kitchen, an appropriate degree of protection against harmful ingress of water is required according to their height of installation (France).
- 13.2: Leakage current limits are different (Japan).
- 16.2: Leakage current limits are different (Japan).
- Clause 21: For appliances intended to be installed in a kitchen, different values of impact energy are applicable according to the height of the impact point (France).

A bilingual version of this publication may be issued at a later date.

## INTRODUCTION

It has been assumed in the drafting of this International Standard that the execution of its provisions is entrusted to appropriately qualified and experienced persons.

This standard recognizes the internationally accepted level of protection against hazards such as electrical, mechanical, thermal, fire and radiation of appliances when operated as in normal use taking into account the manufacturer's instructions. It also covers abnormal situations that can be expected in practice.

This standard takes into account the requirements of IEC 60364 as far as possible so that there is compatibility with the wiring rules when the appliance is connected to the supply mains. However, national wiring rules may differ.

If an appliance within the scope of this standard also incorporates functions that are covered by another part 2 of IEC 60335, the relevant part 2 is applied to each function separately, as far as is reasonable. If applicable, the influence of one function on the other is taken into account.

This standard is a product family standard dealing with the safety of appliances and takes precedence over horizontal and generic standards covering the same subject.

An appliance that complies with the text of this standard will not necessarily be considered to comply with the safety principles of the standard if, when examined and tested, it is found to have other features that impair the level of safety covered by these requirements.

An appliance employing materials or having forms of construction differing from those detailed in the requirements of this standard may be examined and tested according to the intent of the requirements and, if found to be substantially equivalent, may be considered to comply with the standard.

# HOUSEHOLD AND SIMILAR ELECTRICAL APPLIANCES – SAFETY –

## Part 2-48: Particular requirements for commercial electric grillers and toasters

### 1 Scope

This clause of Part 1 is replaced by the following.

This International Standard deals with the safety of electrically operated commercial **grillers** and **toasters** not intended for household use, their **rated voltage** being not more than 250 V for single-phase appliances connected between one phase and neutral, and 480 V for other appliances.

**Rotary or continuous grillers and toasters** and similar appliances intended for grilling by radiant heat such as rotisseries, salamanders, etc. are within the scope of this standard.

NOTE 101 These appliances are used, for example in restaurants, canteens, hospitals and commercial enterprises such as bakeries, butcheries, etc.

The electrical part of appliances making use of other forms of energy is also within the scope of this standard.

As far as is practicable, this standard deals with the common hazards presented by these types of appliances.

NOTE 102 Attention is drawn to the fact that

- for appliances intended to be used in vehicles or on board ships or aircraft, additional requirements may be necessary;
- in many countries additional requirements are specified by the national health authorities, the national authorities responsible for the protection of labour, the national water supply authorities and similar authorities;
- for appliances intended to be used outdoors, additional requirements may be necessary.

NOTE 103 This standard does not apply to

- appliances designed exclusively for industrial purposes;
- appliances intended to be used in locations where special conditions prevail, such as the presence of a corrosive or explosive atmosphere (dust, vapour or gas);
- continuous process appliances for the mass production of food;
- griddles and griddle grills (IEC 60335-2-38).

### 2 Normative references

This clause of Part 1 is applicable.

### 3 Definitions

This clause of Part 1 is applicable except as follows.

#### 3.1.4 Addition:

NOTE 101 The **rated power input** is the sum of the power inputs of all the individual elements in the appliance that can be on at one time; where there are several such combinations possible, that giving the highest power input is used in determining the **rated power input**.



### 3.1.9 *Replacement:*

#### **normal operation**

operation of the appliance under the following conditions

Appliances are operated with no load and with any controls intended to be operated by the user set at the maximum. Timers, if provided, are rendered inoperative.

If doors, lids, reflectors or drip trays are provided, they are arranged in accordance with the manufacturer's instructions. If no instructions are given, doors are fully open, drip trays are put into the lowest and the grilling grid into the highest possible position.

If the appliance cannot be operated without a load, then the manufacturer's instructions are taken into account.

Motors incorporated in the appliance are operated in the intended manner under the most severe conditions that can be expected in normal use taking into account the manufacturer's instructions.

#### **3.101**

##### **griller**

an appliance in which food is cooked by being exposed mainly to radiant heat

#### **3.102**

##### **toaster**

an appliance intended exclusively for browning bread and similar products by radiant heat

#### **3.103**

##### **rotary or continuous griller or toaster**

an appliance where the product is moved while being grilled or toasted

#### **3.104**

##### **installation wall**

a special fixed construction containing supply facilities for appliances installed in conjunction with it

## **4 General requirement**

This clause of Part 1 is applicable.

## **5 General conditions for the tests**

This clause of Part 1 is applicable except as follows.

### **5.10 Addition:**

*Appliances intended for installation in a bank of other appliances and appliances intended to be fixed to an **installation wall** are enclosed to obtain protection against electric shock and harmful ingress of water equivalent to that obtained when installed in accordance with the instructions provided with the appliance.*

NOTE 101 Appropriate enclosures or additional appliances may be needed for test purposes.

**5.101** *Appliances are tested as **heating appliances**, even if they incorporate a motor.*

**5.102** *Appliances, when assembled in combination with or incorporating other appliances, are tested in accordance with the requirements of this standard. The other appliances are operated simultaneously in accordance with the requirements of the relevant standards.*

## 6 Classification

This clause of Part 1 is applicable except as follows.

### 6.1 Replacement:

Appliances shall be **class I** with respect to protection against electric shock.

*Compliance is checked by inspection and by the relevant tests.*

## 7 Marking and instructions

This clause of Part 1 is applicable except as follows.

### 7.1 Addition:

In addition, appliances shall be marked with

The water pressure or range of pressures, in kilopascals (kPa), for appliances intended to be connected to a water supply, unless this is indicated in the instruction sheet.

### 7.6 Addition:



[symbol 5021 of IEC 60417-1]

equipotentiality

### 7.12 Addition:

If symbol 5021 of IEC 60417-1 is marked on the appliance, its meaning shall be explained.

#### 7.12.1 Replacement:

The appliance shall be accompanied by instructions detailing any special precautions necessary for installation. For appliances intended for installation in a bank of other appliances and appliances intended to be fixed to an **installation wall**, details of how to ensure appropriate protection against electric shock and harmful ingress of water shall be supplied. If the controls of more than one appliance are combined in a separate enclosure, detailed installation instructions shall be supplied. Instructions for **user maintenance**, for example cleaning, shall also be given. They shall include a statement that the appliance is not to be cleaned with a water jet.

For appliances that are permanently connected to fixed wiring and for which leakage currents may exceed 10 mA, particularly if disconnected or not used for long periods, or during initial installation, the instruction sheet shall give recommendations regarding the rating of **protective devices**, such as earth leakage relays, to be installed.

*Compliance is checked by inspection.*

#### 7.12.4 Addition:

*The instructions for **built-in appliances** having a separate control panel for several appliances shall state that the control panel is only to be connected to the specified appliances in order to avoid a possible hazard.*

### 7.15 Addition:

When it is not practical to place the marking of **fixed appliances** so that it is visible after the appliance has been installed, the relevant information shall also be included in the instructions or on an additional label that can be fixed near the appliance after installation.

NOTE 101 An example of such a **fixed appliance** is a **built-in appliance**.

**7.101** If, during the test of Clause 11, the temperature rise of the floor of the test corner or the side and rear walls of the test corner above the level of the top of **stationary appliances** exceeds 65 K and/or, during the test of Clause 19, the temperature rise of the floor or the walls above and below the top of **stationary appliances** exceeds 125 K, the installation instructions provided by the manufacturer shall include the substance of the following warning that shall also be included on a permanent label attached to the appliance:

WARNING: During installation: do not place on surfaces or near walls, partitions or kitchen furniture and the like – unless they are made of non-combustible material or clad with non-combustible heat-insulating material, and pay attention to fire prevention regulations.

*Compliance is checked by inspection.*

**7.102** Equipotential bonding terminals shall be marked with symbol 5021 of IEC 60417-1.

These markings shall not be placed on screws, removable washers or other parts that can be removed when conductors are being connected.

*Compliance is checked by inspection.*

## 8 Protection against access to live parts

This clause of Part 1 is applicable except as follows.

**8.101** Heating elements, other than those of slot **toasters**, that are liable to be touched accidentally by a fork or similar pointed object in normal use, shall be so protected that it is not possible to touch their **live parts** with such an object.

*Compliance is checked by inserting test probe 12 of IEC 61032 at all points where the probe can enter in the vicinity of **live parts**. The probe is applied without appreciable force.*

## 9 Starting of motor-operated appliances

This clause of Part 1 is applicable except as follows.

**9.101** Fan motors providing a cooling effect in order to comply with the requirements of Clause 11 shall start under all voltage conditions that may occur in use.

*Compliance is checked by starting the motor three times at a voltage equal to 0,85 times **rated voltage**, the motor being at room temperature at the beginning of the test.*

*The motor is started each time under the conditions occurring at the beginning of **normal operation** or, for automatic appliances, at the beginning of the normal cycle of operation, the motor being allowed to come to rest between successive starts. For appliances provided with motors having other than centrifugal starting switches, this test is repeated at a voltage equal to 1,06 times **rated voltage**.*

*In all cases, the motor shall start and it shall function in such a way that safety is not affected, and the overload **protective devices** of the motor shall not operate.*

NOTE The supply source is such that during the test the drop in voltage does not exceed 1 %.

## 10 Power input and current

This clause of Part 1 is applicable except as follows.

### 10.1 Addition:

NOTE 101 For appliances having more than one heating unit, the total power input may be determined by measuring the power input of each heating unit separately (see also 3.1.4).

## 11 Heating

This clause of Part 1 is applicable except as follows.

### 11.2 Addition:

*Appliances intended to be fixed to the floor and appliances with a mass greater than 40 kg and not provided with rollers, castors or similar means are installed in accordance with the manufacturer's instructions. If no instructions are given, these appliances are considered as appliances normally placed on the floor.*

### 11.4 Replacement:

*Appliances are operated under **normal operation** such that the total power input of the appliance is 1,15 times **rated power input**. If it is not possible to switch on all heating elements at the same time, the test is made with each of the combinations that the switch arrangement will allow, the highest load possible with each switching arrangement being in circuit.*

*If the appliance is provided with a control that limits the total power input, the test is made with whichever combination of heating units, as may be selected by the control, imposes the most severe condition.*

*If the temperature rise limits of motors, transformers or **electronic circuits** are exceeded, the test is repeated with the appliance supplied at 1,06 times **rated voltage**. In this case only the temperature rises of motors, transformers or **electronic circuits** are measured.*

### 11.7 Replace the test specification paragraph by the following.

*Appliances are operated until steady conditions are established.*

NOTE 101 The duration of the test may consist of more than one cycle of operation.

### 11.8 Addition:

*For **stationary appliances**, the limit of 65 K temperature rise for the rear and side test walls, including the part of the walls of the test corner that projects in front of the appliance, only applies below the level of the top of the appliance. If this temperature rise limit is exceeded above this level, or on the floor, then the requirements of 7.101 apply.*

## 12 Void

## 13 Leakage current and electric strength at operating temperature

This clause of Part 1 is applicable except as follows.

### 13.2 Modification:

Instead of the permissible leakage current for **stationary class I appliances**, the following applies:

- for cord and plug connected appliances      1 mA per kW **rated power input** of the appliance with a maximum of 10 mA
- for other appliances      1 mA per kW **rated power input** of the appliance with no maximum

## 14 Transient overvoltages

This clause of Part 1 is applicable.

## 15 Moisture resistance

This clause of Part 1 is applicable except as follows.

### 15.1.1 Addition:

*In addition, IPX0, IPX1, IPX2, IPX3 and IPX4 appliances are subjected for 5 min to the following splash test.*

*The apparatus shown in Figure 101 is used. During the test, the water pressure is so regulated that the water splashes up 150 mm above the bottom of the bowl. The bowl is placed on the floor for appliances normally used on the floor. For all other appliances on a horizontal support 50 mm below the lowest edge of the appliance, the bowl is so moved around as to splash the appliance from all directions. Care is taken that the appliance is not hit by the direct jet.*

### 15.1.2 Modification:

*Appliances normally used on a table are placed on a support having dimensions that are 15 cm ± 5 cm in excess of those of the orthogonal projection of the appliance on the support.*

### 15.3 Addition:

NOTE 101 If it is not possible to place the whole appliance in the humidity cabinet, parts containing electrical components are tested separately, taking into account the conditions that occur in the appliance.

**15.101** Appliances that are provided with a tap intended for filling or cleaning shall be constructed so that the water from the tap cannot come into contact with **live parts**.

*Compliance is checked by the following test.*

*The tap is fully opened for 1 min with the appliance connected to a water supply having the maximum water pressure indicated by the manufacturer. Tiltable and movable parts, including lids, are tilted or placed in the most unfavourable positions. Swivelling outlets of water taps are so positioned as to direct water on to those parts that will give the most unfavourable*

*result. Immediately following this treatment the appliance shall withstand an electric strength test as specified in 16.3.*

## 16 Leakage current and electric strength

This clause of Part 1 is applicable except as follows.

### 16.2 Modification:

Instead of the permissible leakage current for **stationary class I appliances**, the following applies:

- *for cord and plug connected appliances*                      *1 mA per kW **rated power input** of the appliance with a maximum of 10 mA*
- *for other appliances*    *1 mA per kW **rated power input** of the appliance with no maximum*

## 17 Overload protection of transformers and associated circuits

This clause of Part 1 is applicable.

## 18 Endurance

This clause of Part 1 is applicable.

## 19 Abnormal operation

This clause of Part 1 is applicable except as follows.

### 19.1 Addition:

*A control or switching device that is intended for different settings corresponding to different functions of the same part of the appliance and that are covered by different standards is, in addition, set in the most severe setting irrespective of the manufacturer's instructions.*

### 19.2 Addition:

*Doors or lids are open or closed, whichever is the more unfavourable.*

*Detachable reflectors, drip trays and similar **detachable parts** are placed in any position or removed, whichever is the more unfavourable.*

### 19.4 Addition:

NOTE 101 The main contacts of the contactor intended for switching on and off the heating element(s) in normal use are locked in the "ON" position. However, if two contactors operate independently of each other or if one contactor operates two independent sets of main contacts, these contacts are locked in the "ON" position in turn.

### 19.13 Addition:

*If the temperature rise of the floor or of the walls above and below the level of the top of **stationary appliances** exceeds 125 K, the requirements of 7.101 apply.*

## 20 Stability and mechanical hazards

This clause of Part 1 is applicable except as follows.

### 20.1 Addition:

*Covers, lids and accessories are placed in the most unfavourable positions.*

*Appliances that can be mounted on stands supplied by the manufacturer are tested with the stands used in accordance with the manufacturer's instructions.*

**20.101** Parts that move the food inside the appliance shall be secured against unexpected movements if this could result in a hazard.

*Compliance is checked by inspection and by manual test.*

## 21 Mechanical strength

This clause of Part 1 is applicable, except as follows.

*Addition:*

*If the appliance incorporates **visibly glowing heating elements** enclosed in glass tubes, the blows are applied to the tubes as mounted in the appliance if they are*

- located at the top of the appliance and accessible to test probe 41 of IEC 61032;*
- located elsewhere in the appliance and accessible to test probe B of IEC 61032.*

## 22 Construction

This clause of Part 1 is applicable except as follows.

**22.101 Thermal cut-outs** protecting circuits with heating elements and those for motors of which the unexpected starting may cause a hazard shall be of the **non-self-resetting** trip-free type and shall provide **all-pole disconnection** from the supply. If the **non-self-resetting thermal cut-out** is only accessible after removing parts with the aid of a **tool**, the trip-free type is not required.

NOTE 1 **Thermal cut-outs** of the trip-free type have an automatic action, with a reset actuating member, so constructed that the automatic action is independent of manipulation or position of the reset mechanism.

**Thermal cut-outs** of the bulb and capillary type that operate during the tests of Clause 19 shall be such that rupture of the capillary tube shall not impair compliance with the requirements of 19.13.

*Compliance is checked by inspection and by manual test, and by rupturing the capillary tube.*

NOTE 2 Care must be taken to ensure that the rupture does not seal the capillary tube.

**22.102** Lights, switches or push-buttons shall only be coloured red for the indication of danger, alarm or similar situations.

*Compliance is checked by inspection.*

**22.103 Portable appliances** shall not have openings on the underside that would allow small items to penetrate and touch **live parts**.

*Compliance is checked by inspection and by measuring the distance between the supporting surface and **live parts** through openings. This distance shall be at least 6 mm. However, if the appliance is fitted with legs, this distance is increased to 10 mm if the appliance is intended to stand on the table and to 20 mm if it is intended to stand on the floor.*

## **23 Internal wiring**

This clause of Part 1 is applicable except as follows.

### **23.3 Addition:**

*When the capillary tube of the **thermostat** is liable to flexing in normal use the following applies:*

- *where the capillary tube is fitted as part of the internal wiring, Part 1 applies;*
- *where the capillary tube is separate, it shall be subjected to 1 000 flexings at a rate not exceeding 30 per minute.*

NOTE 101 If, in any of the above cases, it is not possible to move the movable part of the appliance at the given rate, due for example to the mass of the part, the rate of flexing may be reduced.

*After the test, the capillary tube shall show no sign of damage within the meaning of this standard and no damage impairing its further use.*

*However, if a rupture of the capillary tube renders the appliance inoperative (fail-safe), separate capillary tubes are not tested, and those fitted as part of the internal wiring are not inspected for compliance with the requirements.*

*Compliance in this instance is checked by rupturing the capillary tube.*

NOTE 102 Care must be taken to ensure that the rupture does not seal the capillary tube.

## **24 Components**

This clause of Part 1 is applicable except as follows.

**24.101** Connectors fitted to appliances shall not incorporate a **thermostat**.

*Compliance is checked by inspection.*

## **25 Supply connection and external flexible cords**

This clause of Part 1 is applicable except as follows.

### **25.3 Addition:**

**Fixed appliances** and appliances with a mass greater than 40 kg and not provided with rollers, castors or similar means shall be constructed so that the **supply cord** can be connected after the appliance has been installed in accordance with the manufacturer's instructions.



Terminals for permanent connection of cables to fixed wiring may also be suitable for the **type X attachment** of a **supply cord**. In this case, a cord anchorage complying with 25.16 shall be fitted to the appliance.

If the appliance is provided with a set of terminals allowing the connection of a flexible cord, they shall be suitable for the **type X attachment** of the cord.

In both cases the instructions shall give full particulars of the power **supply cord**.

The connection to the supply wires of **built-in appliances** may be made before the appliance is installed.

*Compliance is checked by inspection.*

#### **25.7 Modification:**

Instead of the types of **supply cords** specified, the following applies.

**Supply cords** shall be oil-resistant, sheathed flexible cable not lighter than ordinary polychloroprene or other equivalent synthetic elastomer-sheathed cord (code designation 60245 IEC 57).

## **26 Terminals for external conductors**

This clause of Part 1 is applicable.

## **27 Provision for earthing**

This clause of Part 1 is applicable except as follows.

#### **27.2 Addition:**

**Stationary appliances** shall be provided with a terminal for the connection of an external equipotential conductor. This terminal shall be in effective electrical contact with all fixed exposed metal parts of the appliance, and shall allow the connection of a conductor having a nominal cross-sectional area of up to 10 mm<sup>2</sup>. It shall be located in a position convenient for the connection of the bonding conductor after installation of the appliance.

NOTE 101 Small fixed exposed metal parts, for example name-plates and the like, are not required to be in electrical contact with the terminal.

## **28 Screws and connections**

This clause of Part 1 is applicable.

## **29 Clearances, creepage distances and solid insulation**

This clause of Part 1 is applicable except as follows.

#### **29.2 Addition:**

The microenvironment is pollution degree 3 and the insulation shall have a comparative tracking index (CTI) not less than 250, unless the insulation is enclosed or located so that it is unlikely to be exposed to pollution during normal use of the appliance.

**29.3 Addition:**

This requirement does not apply to the sheath of a **visibly glowing heating element** inaccessible to test probe 41 of IEC 61032.

**30 Resistance to heat and fire**

This clause of Part 1 is applicable except as follows.

**30.2.1 Modification:**

*The glow-wire test is carried out at 650 °C.*

**30.2.2** Not applicable.

**30.101** *Filters, if any, of non-metallic materials intended for the absorption of grease are subjected to the burning test specified in ISO 9772 for category HBF material, if relevant, or shall be classified at least HB40 according to IEC 60695-11-10, except that the thickness of the specimen is the same as that in the appliance.*

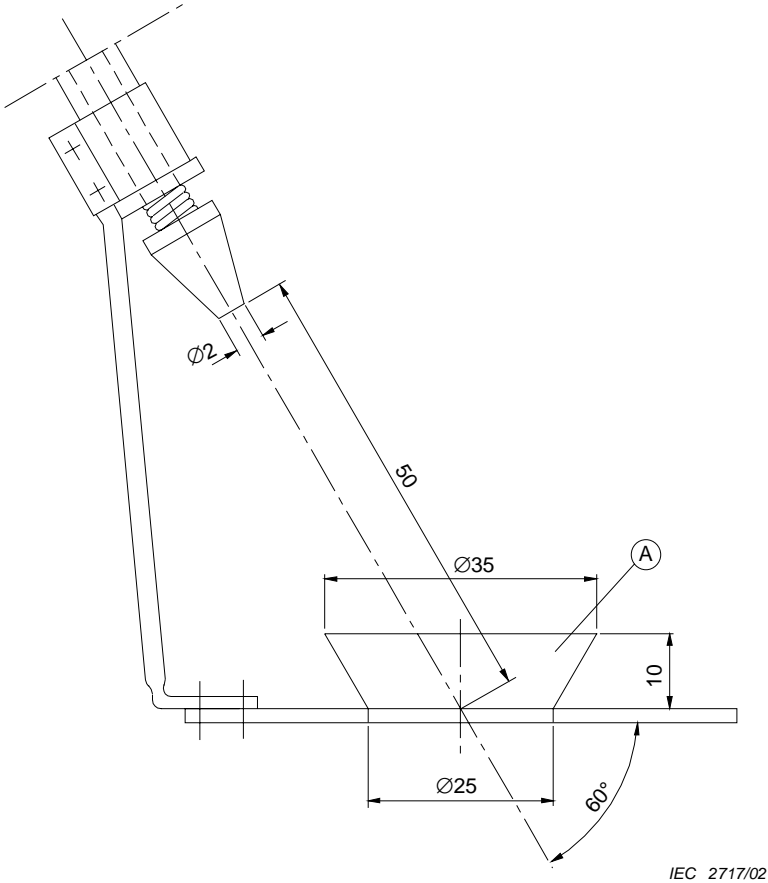
NOTE It may be necessary to support the specimen.

**31 Resistance to rusting**

This clause of Part 1 is applicable.

**32 Radiation, toxicity and similar hazards**

This clause of Part 1 is applicable.



IEC 2717/02

*Dimensions in millimetres*

**Key**  
A Bowl

**Figure 101 – Splash apparatus**

## **Annexes**

The annexes of Part 1 are applicable except as follows.

### **Annex N** (normative)

#### **Proof tracking test**

##### **6.3** *Addition:*

*Add 250 V to the list of specified voltages.*

## **Bibliography**

The bibliography of Part 1 is applicable except as follows.

##### *Addition:*

IEC 60335-2-38, *Household and similar electrical appliances – Safety – Part 2-38: Particular requirements for commercial electric griddles and griddle grills*

---



Standards Survey

The IEC would like to offer you the best quality standards possible. To make sure that we continue to meet your needs, your feedback is essential. Would you please take a minute to answer the questions overleaf and fax them to us at +41 22 919 03 00 or mail them to the address below. Thank you!

Customer Service Centre (CSC)

**International Electrotechnical Commission**

3, rue de Varembé

1211 Genève 20

Switzerland

or

Fax to: **IEC/CSC** at +41 22 919 03 00

Thank you for your contribution to the standards-making process.

**A Prioritaire**

Nicht frankieren  
Ne pas affranchir



Non affrancare  
No stamp required

**RÉPONSE PAYÉE**

**SUISSE**

Customer Service Centre (CSC)

**International Electrotechnical Commission**

3, rue de Varembé

1211 GENEVA 20

Switzerland



**Q1** Please report on **ONE STANDARD** and **ONE STANDARD ONLY**. Enter the exact number of the standard: (e.g. 60601-1-1)

.....

**Q2** Please tell us in what capacity(ies) you bought the standard (tick all that apply). I am the/a:

- purchasing agent
- librarian
- researcher
- design engineer
- safety engineer
- testing engineer
- marketing specialist
- other.....

**Q3** I work for/in/as a: (tick all that apply)

- manufacturing
- consultant
- government
- test/certification facility
- public utility
- education
- military
- other.....

**Q4** This standard will be used for: (tick all that apply)

- general reference
- product research
- product design/development
- specifications
- tenders
- quality assessment
- certification
- technical documentation
- thesis
- manufacturing
- other.....

**Q5** This standard meets my needs: (tick one)

- not at all
- nearly
- fairly well
- exactly

**Q6** If you ticked NOT AT ALL in Question 5 the reason is: (tick all that apply)

- standard is out of date
- standard is incomplete
- standard is too academic
- standard is too superficial
- title is misleading
- I made the wrong choice
- other .....

**Q7** Please assess the standard in the following categories, using the numbers:

- (1) unacceptable,
- (2) below average,
- (3) average,
- (4) above average,
- (5) exceptional,
- (6) not applicable

- timeliness.....
- quality of writing.....
- technical contents.....
- logic of arrangement of contents .....
- tables, charts, graphs, figures.....
- other .....

**Q8** I read/use the: (tick one)

- French text only
- English text only
- both English and French texts

**Q9** Please share any comment on any aspect of the IEC that you would like us to know:

.....

.....

.....

.....

.....

.....

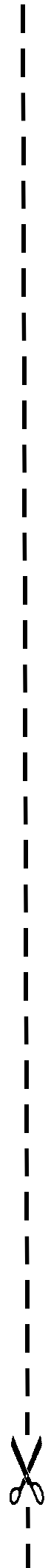
.....

.....

.....

.....

.....





ISBN 2-8318-6755-X



9 782831 867557

---

**ICS 97.040.50**

---

Typeset and printed by the IEC Central Office  
GENEVA, SWITZERLAND