

# C O N D U C T I O N C O O L E D C A P A C I T O R S

## FP-8-300 Conduction Cooled Capacitors for Induction Heating

### Highlights

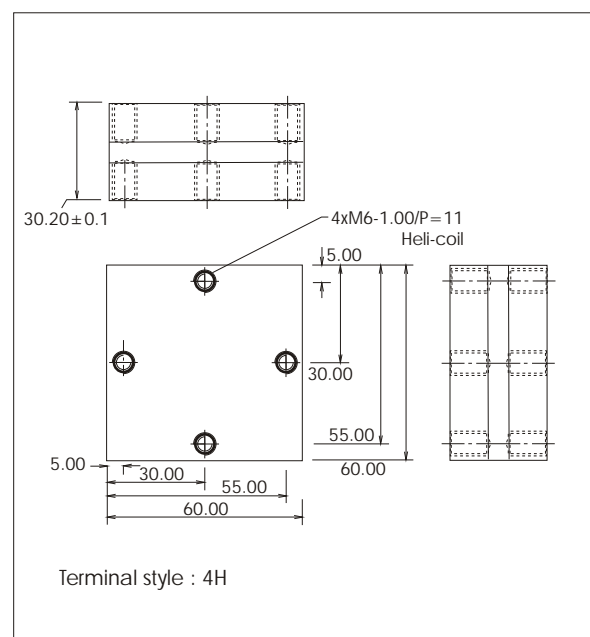
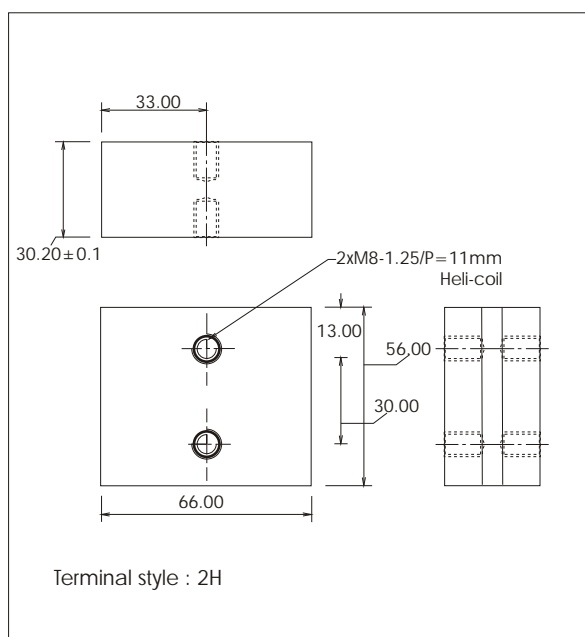
- Conduction cooled
- Polypropylene dielectric
- Self-healing
- Operating frequency up to 700 KHz



### Specifications

Dimensions	mm	68 x 58 x 30.2						
Capacitance	MFD	5	2.4	1.32	1	0.66	0.33	0.2
Max voltage	Vrms	400	500	600		700		
Max current	Amps	800	650		500			
Max power	kVA	300						
Frequency limit	KHz	700						
Self inductance	nH	< 5						

### Capacitor Drawings and Terminal Styles

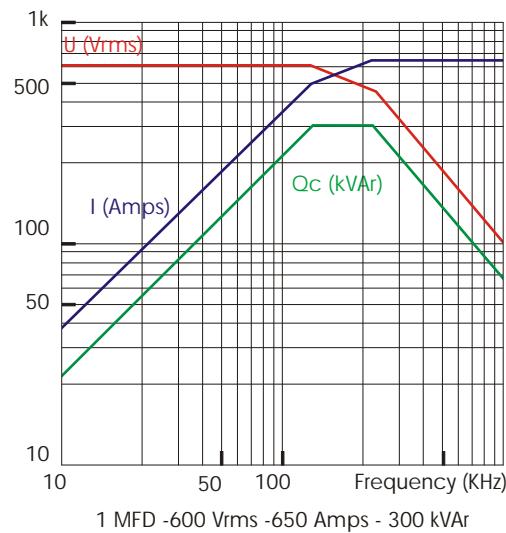
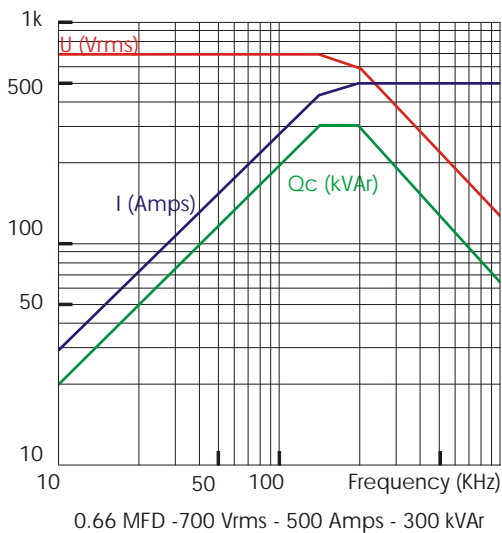
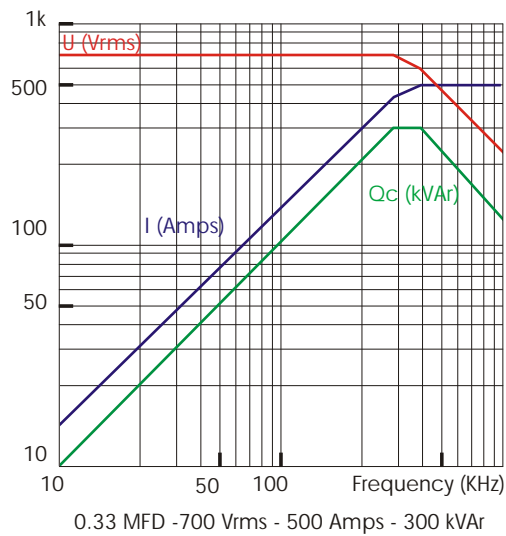
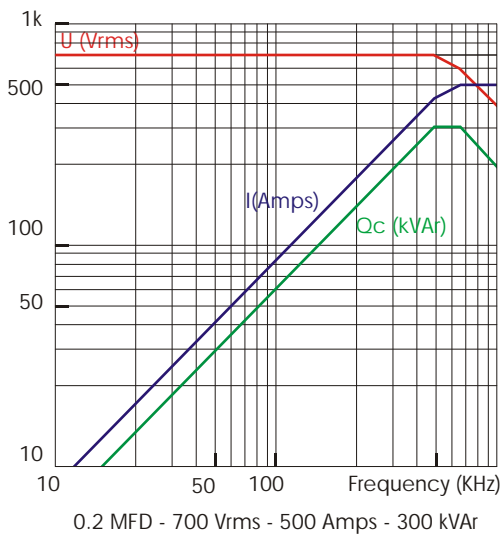


Dimensions in mm

# CONDUCTION COOLED CAPACITORS

## FP-8-300 Conduction Cooled Capacitors for Induction Heating

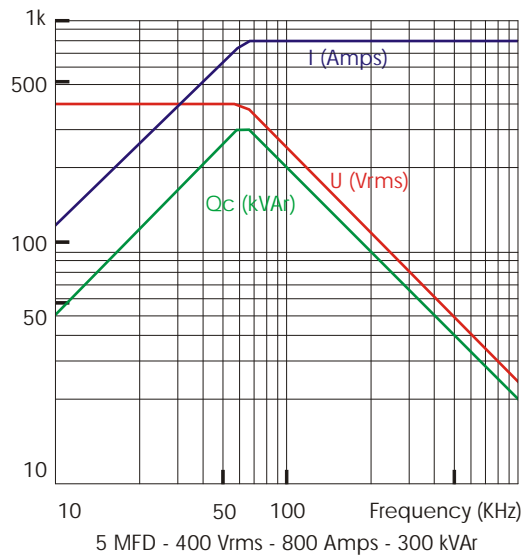
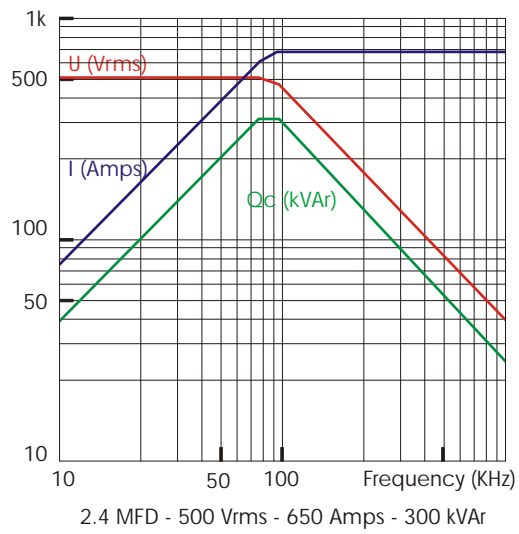
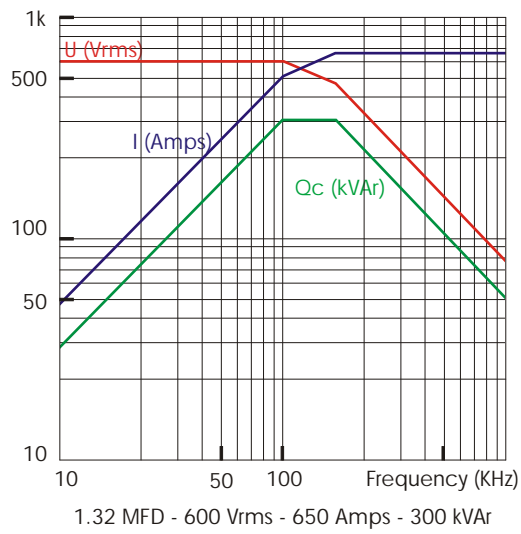
### Graphs



# CONDUCTION COOLED CAPACITORS

## FP-8-300 Conduction Cooled Capacitors for Induction Heating

### Graphs





Registered by UL to ISO 9001

Registered Office & Factory:  
34-B MIDC Industrial Estate, Satpur, Nashik 422007, India.  
Phone: +91 253 - 235 0533, 235 0237 , Fax: +91 253 - 235 1682  
email: [mail@alconelectronics.com](mailto:mail@alconelectronics.com) Website: [www.alconelectronics.com](http://www.alconelectronics.com)

---

Catalogue No. FP8 -10-2004

The specifications shown in this catalogue pertain to the current manufacturing range of the Company. The Company reserves the right to change and/or modify any part of or whole of the specifications as a result of research and development and as may be deemed necessary, without prior notice