

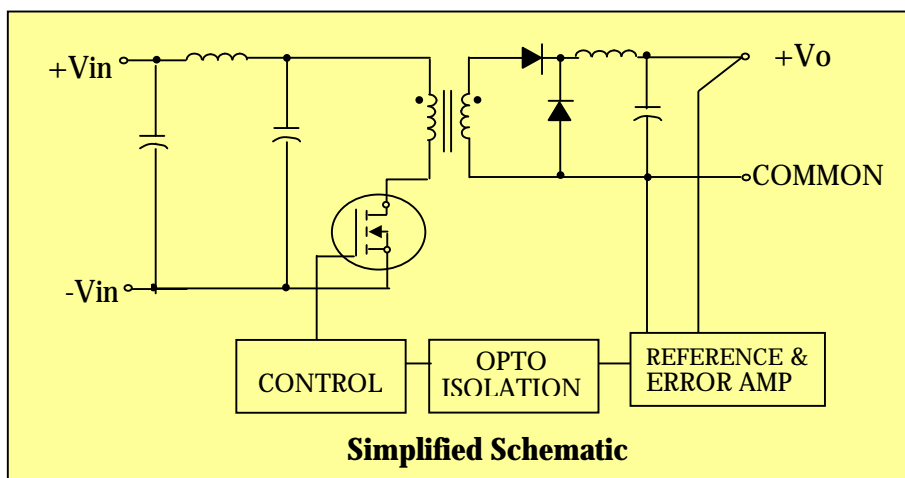
37.4watts / 3"×2.60"×0.82" / 1500Vdc isolation DC/DC Converter **YCL** EM-023

Feature:

- Low cost.
- High efficiency.
- Industry-standard package and pinout.
- 1500Vdc Input/ Output Isolation.
- 2 Year Warranty.

Specifications: At 25°C

Input Specifications:	General Specifications:
Input Voltage Range: 10~56Vdc	Isolation Voltage: 1500Vdc
Input Filter: Pi-type	Efficiency: 76%
Output Specifications:	EMI/RFI:
Output Voltage & Current: see table	Dielectric Withstand:
Voltage Accuracy: ± 3 % max.	Input/output: 1500Vdc
Line Regulation(at full load): ± 1% max.	Switching Frequency: 100KHz typical
Load Regulation (at full load to half load): V01: +3.3V± 2% V02: +6.1V± 3% V03: +12V± 3%	Isolation Resistance: 1000M ohm
	Environmental Specifications:
	Operating Temperature: -40 to + 85°C
Temperature Coefficient: ± 0.05%/°C max.	Storage Temperature: -40 to +85°C
Ripple & Noise(20MHz BW): 50mVp-p max. @48Vin	Cooling: Free air convection
	Derating: See Derating Curve
Protections: a. Over voltage protection b. Over power protection c. Short circuit protection d. Input reverse protection	Humidity Non-Condensing: 20 to 90% RH
	Physical Specifications:
	Case Material: Black coated copper with non-conductive plastic base
	Pin Material: Brass, solder coated
	Weight: 210grams typical

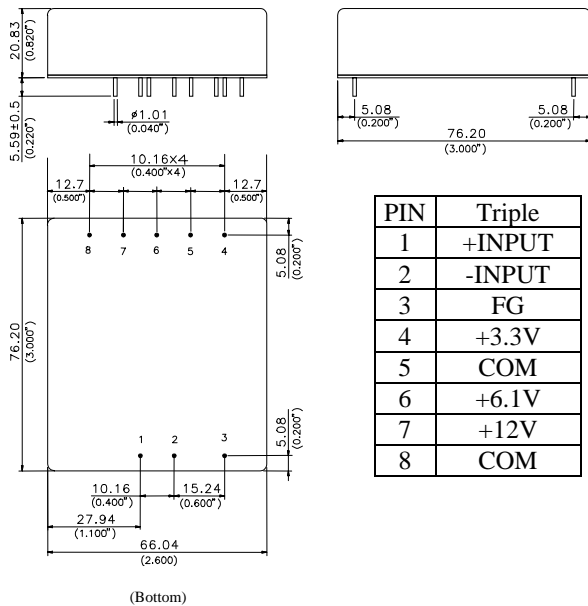


37.4watts / 3"×2.60"×0.82" / 1500Vdc isolation DC/DC Converter **YCL** EM-023

Model No.	Input Current(mA)		Output Voltage	Output Current Minimum	Output Current Maximum	Efficiency Typical	External Fuse
	No-Load	Full-Load					
EM-023	90	4921	+3.3V	200mA	4000mA	76%	7A
			+6.1V	200mA	2000mA		
			+12V	100mA	1000mA		

- ①Efficiency is specified at nominal input voltage and full load.
- ②Certain applications may require the installation of external fuse in front of the input.

Package EP:



Unit: mm ± 0.25 mm

