

**25 watts / 74×54×17mm/1500Vdc isolation  
EM-027**

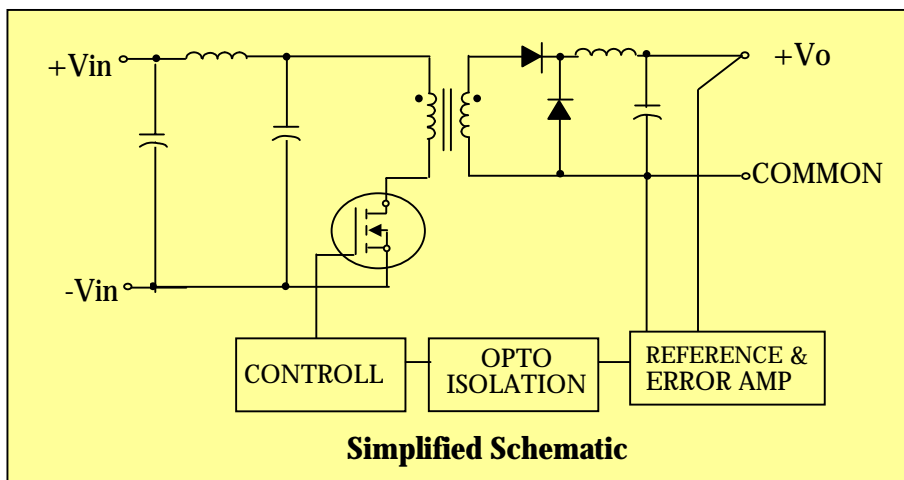


**Feature:**

- High efficiency.
- Industry-standard package and pinout.
- 1500Vdc Input/ Output Isolation.
- No External Components required.
- Input inrush current less then 1A @ 48V.
- 2 Year Warranty.

**Specifications: At 25°C**

<b>Input Specifications:</b>	<b>General Specifications:</b>
Input Voltage Range: 10~56VDC	<b>Isolation Voltage:</b> 1500Vdc
Input Filter: Pi-type	<b>Efficiency:</b> 75% minimum @24V
<b>Output Specifications:</b>	<b>Switching Frequency:</b> 200kHz typical
<b>Output Voltage &amp; Current:</b> 6.1V/4.0A	<b>Isolation Resistance:</b> 100M ohm
<b>Voltage Accuracy:</b> ± 2 % max.	<b>Environmental Specifications:</b>
<b>Line Regulation(at full load):</b> ± 1% max.	<b>Operating Temperature:</b> -40 to + 75°C
<b>Load Regulation (at full load to half load):</b> ± 1% max.	<b>Storage Temperature:</b> -40 to +105°C
<b>Output (Min Load):</b> +6.1V/200mA	<b>Cooling:</b> Free air convection
<b>Temperature Coefficient:</b> ± 0.05%/°C max.	<b>Derating:</b> See Derating Curve
<b>Ripple &amp; Noise(20MHz BW):</b> @48V:50mVp-p max.	<b>Humidity Non-Condensing:</b> 20 to 95%RH
<b>Protections:</b> a. Reverse voltage protection (input) b. Over voltage protection (input/output) c. Short Circuit Protection: Power fold back d. Over load protection: Build-in	<b>Physical Specifications:</b> <b>Case Material:</b> Black coated copper with non-conductive plastic base
	<b>Pin Material:</b> Brass, solder coated
	<b>Weight:</b> 180grams typical



**25 watts / 74×54×17mm/1500Vdc isolation**  
**EM-027**

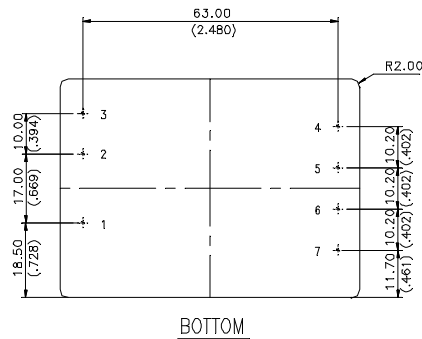


Model no.	Input at 10V			Output		Efficiency Typical① %	Package	External Fuse② (A)
	Voltage (Vdc)	Current(mA)		Voltage (Vdc)	Current (mA)			
		No-Load	Full-Load					
EM-027	10-56	50mA	3.4A	+6.1	4000	75		5A

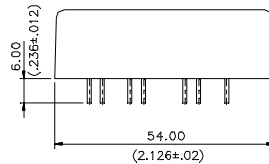
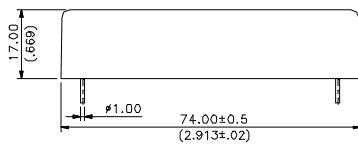
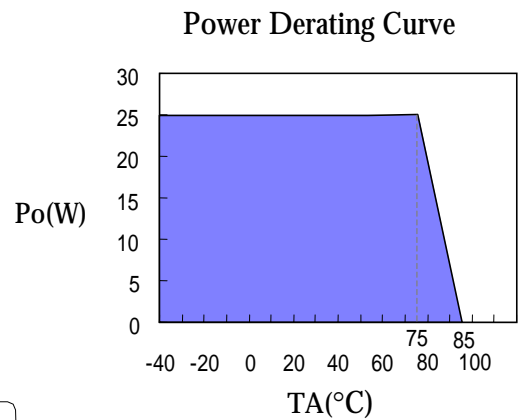
①Efficiency is specified at nominal input voltage and full load.

②Certain applications may require the installation of external fuse in front of the input.

**Package /PIN Assignment:**



PIN	TRIPLE
1	+INPUT
2	-INPUT
3	F.G
4	+OUTPUT
5	NC
6	COM
7	NC



Unit: mm(inch) ± 0.25(0.010)

