

**15 watts /74' 54' 17mm/1500Vdc isolation
EM-017**

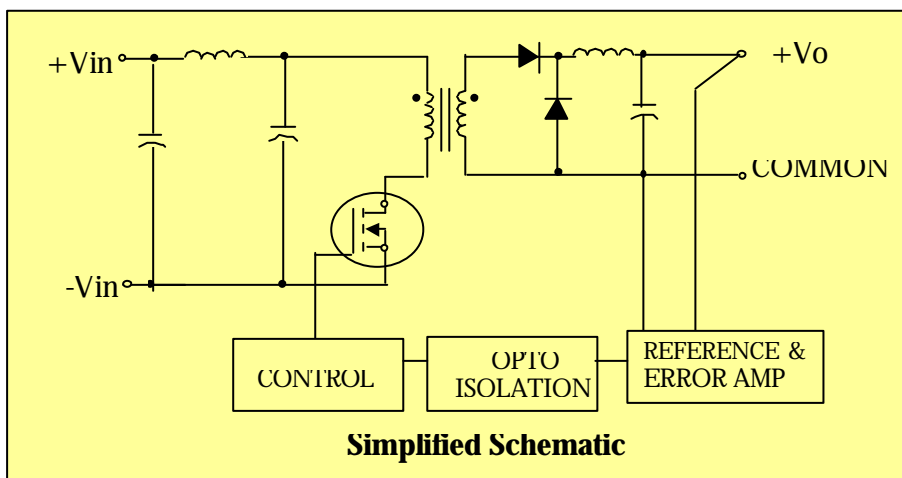


Feature:

- High efficiency.
- Industry-standard package and pinout.
- 1500Vdc Input/ Output Isolation.
- No External Components required.
- 2 Year Warranty.

Specifications: At 25° C

Input Specifications:	General Specifications:
Input Voltage Range: 10~56VDC	Isolation Voltage: 1500Vdc
Input Filter: Pi-type	Efficiency: 75% minimum
Output Specifications:	Switching Frequency: 100KHz typical
Output Voltage & Current: 3.3V/1.5A 6.5V/1.5A	Isolation Resistance: 100M ohm
Voltage Accuracy: ± 2 % max.	Environmental Specifications:
Line Regulation(at full load): ± 1% max.	Operating Temperature: -40to + 71°C
Load Regulation (at full load to half load): +6.5V: ±5%(Max.) +3.3V: ±5%(Max.)	Storage Temperature: -40 to +85°C
Output (Min Load): +6.5V/200mA +3.3V/150mA	Cooling: Free air convection
Temperature Coefficient: ± 0.05%/°C max.	Derating: See Derating Curve
Ripple & Noise(20MHz BW): 50mVp-p max.	Humidity Non-Condensing: 20 to 95%RH
Protections: a.Reverse voltage protection (input) b.Over voltage protection (input/output) c.Short Circuit Protection: Power fold back d.Over load protection: Build-in	Physical Specifications:
	Case Material: Black coated copper with non-conductive plastic base
	Pin Material: Brass, solder coated
	Weight: 180grams typical



15 watts / 74' 54' 17mm/1500Vdc isolation EM-017

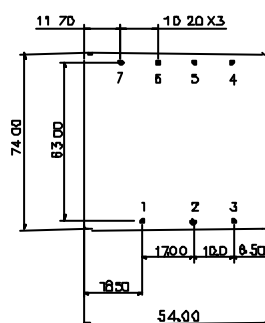
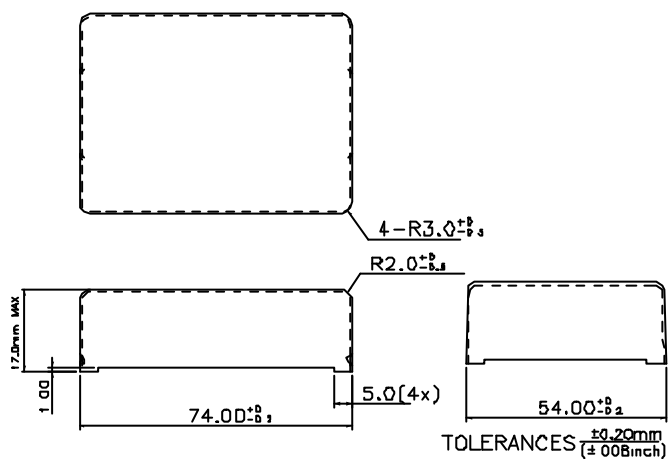


Model no.	Input			Output						Efficiency Typical① %	Package	External Fuse② (A)
	Voltage (Vdc)	Current(mA)		Voltage (Vdc1)	Current (mA)	Voltage (Vdc2)	Current (mA)	Voltage (Vdc3)	Current (mA)			
		No-Load	Full-Load									
EM-017	10-56	50mA	1.96A	+3.3	1500			+6.5	1500	75		4A

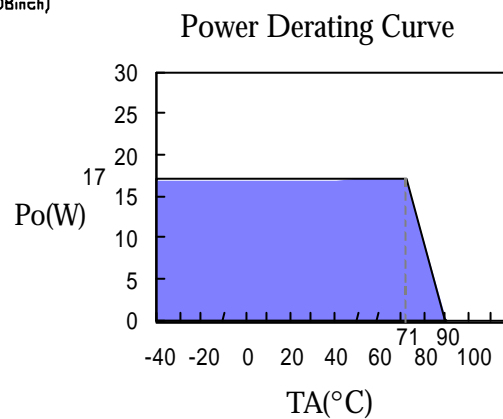
①Efficiency is specified at nominal input voltage and full load.

②Certain applications may require the installation of external fuse in front of the input.

Package /PIN Assignment:



PIN	TRIPLE
1	+INPUT
2	-INPUT
3	FG
4	Vdc3 +OUTPUT
5	Vdc2 +OUTPUT
6	COM
7	Vdc1 +OUTPUT



Unit: mm(inch) \pm 0.25(0.010)
(Silkscreen Top)