

**8 mm THROUGH 200 mm EMBOSSED CARRIER TAPING
AND
8 mm & 12 mm PUNCHED CARRIER TAPING OF
SURFACE MOUNT COMPONENTS FOR AUTOMATIC HANDLING**

CONTENTS

		Page
1	SCOPE	1
2	INTRODUCTION	1
3	APPLICABLE DOCUMENTS	1
4	REQUIREMENTS	1-4
Figures		
Figure 1	Component orientation and quadrant designations	5
Figure 2	8 mm & 12 mm punched carrier tape dimensions	6
Figure 3	Illustration of 2 mm cavity pitch for 8 mm & 12 mm punched and embossed carrier, P ₁	6
Figure 4	8 mm, 12 mm, 16 mm & 24 mm embossed carrier tape dimensions	8
Figure 5	32, 44, 56, 72, 88, 104, 120, 136, 152, 168, 184 & 200 mm embossed carrier tape dimensions	10
Figure 6	Maximum component rotation for punched and embossed carrier	12
Figure 7	Maximum lateral movement for punched and embossed carrier	12
Figure 8	Bar code label area for punched and embossed carrier	12
Figure 9	Bending radius for punched and embossed carrier	12
Figure 10	Maximum camber for punched and embossed carrier	13
Figure 11	Tape leader & trailer dimensions for punched and embossed carrier	13
Figure 12	Reel dimensions	14
Tables		
Table 1	8 mm & 12 mm punched carrier dimensions	7
Table 2	8, 12, 16 & 24 mm embossed carrier dimensions	9
Table 3	32, 44, 56, 72, 88, 104, 120, 136, 152, 168, 184 & 200 mm embossed carrier dimensions	11
Table 4	Reel dimensions	15

Left Intentionally Blank

8 mm THROUGH 200 mm EMBOSSSED CARRIER TAPING
AND
8 mm & 12 mm PUNCHED CARRIER TAPING OF
SURFACE MOUNT COMPONENTS FOR AUTOMATIC HANDLING

(From Standards Proposal Nos. 3061, 4412, 4413 and 4832-A, formulated under the cognizance of the EIA Automated Component Handling Committee (ACH).)

1 Scope

This Standard covers requirements for taping surface mount components. Complementary standards for specialized taping requirements are included in the addendum.

2 Introduction

This Standard was formulated to provide dimensions and tolerances necessary to tape surface mount components such that they may be automatically handled.

3 Applicable Documents

Unless otherwise specified the following documents form a part of this standard to the extent specified herein:

EIA-383 "Preparation for the Delivery of Electrical and Electronic Components"

EIA-541 "Packaging Material Standards for ESD Sensitive Items"

EIA-556 "Electronic Industries Association Outer Shipping Container Bar Code Label Standard"

EIA-583 "Packaging Material Standards for Moisture Sensitive Items"

EIA-624 "Product Package Bar Code Label Standard for Non-Retail Applications"

4 Requirements

4.1 Carrier tapes, cover tapes, reels, and taped components must meet the requirements defined in the Figures and Tables presented herein.

4.2 Procurement documents and quotation requests shall include the following information:

- (a) Reference to this Standard by Title and Number
- (b) Taping quality requirements including maximum number of missing components

- (c) Container and reel marking requirements (including bar code labeling if required), and reel diameter (refer to 4.12 and Figure 8).
- (d) Shipping conditions, storage conditions and storage time
- (e) Weight of the reel containing components. NOTE: A heavy reel may not work on all feeders. Also, a reel containing components attached to a feeder may exceed regulatory or corporate weight limits for lifting by workers.

4.3 Several conditions exist that may cause functional problems with carrier tapes and/or tape feeding systems even though the dimensions are within the parameters specified in the tables and figures of this document:

- (a) Based on the carrier style, tape thickness T , tape cavity depth T_2 , outside pocket width B_1 , the cavity pitch P_1 , or the reel flange diameter A , the following conditions may cause problems with tape feeding systems and should be considered as part of the procurement documents and quotation requests as applicable:

Type (Punched/Embossed)	Tape Width (mm)	Dimension (mm)	See Figure
Punched/Embossed	8, 12	$A > 360$	12
Embossed	8	$B_1 > 4.2$	4
Punched	8, 12	$T > 1.1$	2
Embossed	8, 12	$P_1 = 2.0$	3
Punched	12	$P_1 = 2.0$	3
Embossed	12	$T_2 > 4.5$	4
Embossed	16, 24	$T_2 > 6.5$	4
Embossed	32 to 200	$T_2 > 10.1$	5
Embossed	72 to 200	$P_1 > 56$	5

- (b) For 8, 12, 16 and 24 mm wide embossed tapes, if $S_1 < 1.0$ mm (Table 2 and Figure 4), there may not be enough area to obtain a proper seal between the carrier and cover tapes according to paragraphs 4.5 and 4.11 and must be considered as part of the procurement documents and quotation requests as applicable.

4.4 Components are to be prevented from falling out of the cavity of the carrier tape, and shall remain in position for automatic handling after removal of the top cover tape (see Note 1, Tables 1, 2 & 3).

4.5 The cover tape(s) may not extend over the edge of the carrier tape or cover any part of the sprocket holes.

4.6 Tape in adjacent layers shall not stick together when wound on the carrier reel.

4.7 The packaging, materials and processes shall not adversely affect the mechanical and electrical characteristics or marking of the components. For intermediate and final packaging, refer to EIA-383 "Preparation for the Delivery of Electrical and Electronic Components," EIA-541 "Packaging Material Standards for ESD Sensitive Items," and EIA-583 "Packaging Material Standards for Moisture Sensitive Items," and EIA-624 "Product Package Bar Code Label Standard for Non-Retail Applications."

4.8 The tapes shall be suitable to withstand storage of the taped components without danger of migration of contaminants onto the terminations, or the emission of vapors which would make soldering difficult or deteriorate the component properties or terminations by chemical action. In addition, the cover tape(s) shall not become detached, such that the components do not remain in position after storage. The punched carrier material shall not age and lose strength such that it breaks or delaminates on unreeling when the taped components are fed from the package by hand or into the assembly machines (refer to 4.2(d)).

4.9 Components may be removed from the cavity by incising the bottom cover tape (see Figure 8) for punched carrier tape, or in the case of embossed carrier, by incising at or below the cavity depth midpoint ($K_0/2$). In no case shall the incising affect the package functionality.

4.10 There shall not be consecutive components missing from any reel for any reason.

4.11 The cover tape for each style and material of carrier tape shall have a total peel strength of from 0.1 N to 1.0 N (10 grams to 100 grams calibrated scale reading) for 8 mm carrier tapes and 0.1 N to 1.3 N (10 grams to 130 grams calibrated scale reading) for 12 mm to 56 mm wide carrier tapes and from 0.1 N to 1.5 N (10 grams to 150 grams calibrated scale reading) for 72 mm and wider carrier tapes. The direction of pull shall be opposite the direction of carrier tape travel such that the cover tape makes an angle of between 165 and 180 degrees with the top of the carrier tape. The cover tape, shall be pulled with a velocity of 300 mm \pm 10 mm/minute, relative to the carrier tape, during peeling, which results in the cover/carrier tape seal being separated at a rate of 150 mm/minute.

4.12 Bar code labeling (if required) shall be on the side of the reel opposite the round sprocket holes (refer to 4.2(c) and Figure 8). Refer to EIA-556 and EIA-624.

4.13 Reels as defined by Figure 12 shall be permanently marked with visible recycling symbology.

4.14 The following orientation rules shall be considered as standard for multi-connection components and should be followed, sequentially, until no other variation is possible.

- (a) Traditionally packaged components with leaded, bottom-only terminations (e.g. PLCC, SOIC, SOJ, and BGA) shall be packaged with the terminations facing the bottom of the carrier cavity.

(b) The following rules apply whether the terminations are facing downward or upward in the cavity. Termination is the electrical or mechanical connection from the component to the board and can be described further as lead, pin, bump, ball, pad, wirepad, connector, etc. Termination #1 is the orienting feature of the component. Examples of termination #1 include Pin #1 and Ball/Pad #A1.

(c) If termination #1 is not distinguishable or it is located in the exact center of the device then an alternate fiducial point on the component should be chosen for orientation.

(d) The largest axis of the component outline shall be perpendicular to the tape length (see Figure 1).

(e) The edge of the package containing termination #1 shall be oriented toward the round sprocket holes.

(f) For components where 4.11.d and 4.11.e do not establish a unique orientation, then termination #1 shall be in quadrant 1 (see Figure 1). If orientation within quadrant 1 is not possible then place termination #1 within quadrant 2.

(g) It has been previously established in prior standards that the orientation of the following components places termination #1 in the noted quadrant:

SOT 23	Quad 3
SOT 143	Quad 3
SOT 89	Quad 4
SOT 223	Quad 3
IPD (per EIA-800)	Quad 2

Figure 1 – Component orientation and quadrant designations

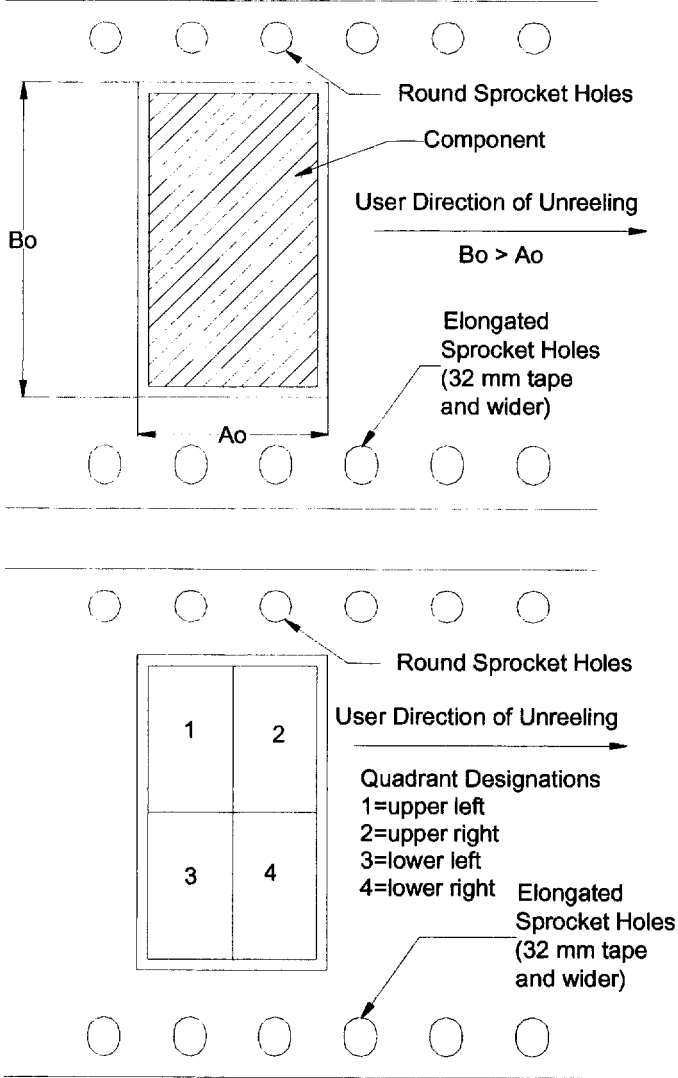


Figure 2 -- 8 mm & 12 mm punched carrier tape dimensions
See Section 4.0 for requirements (all dimensions in millimeters)

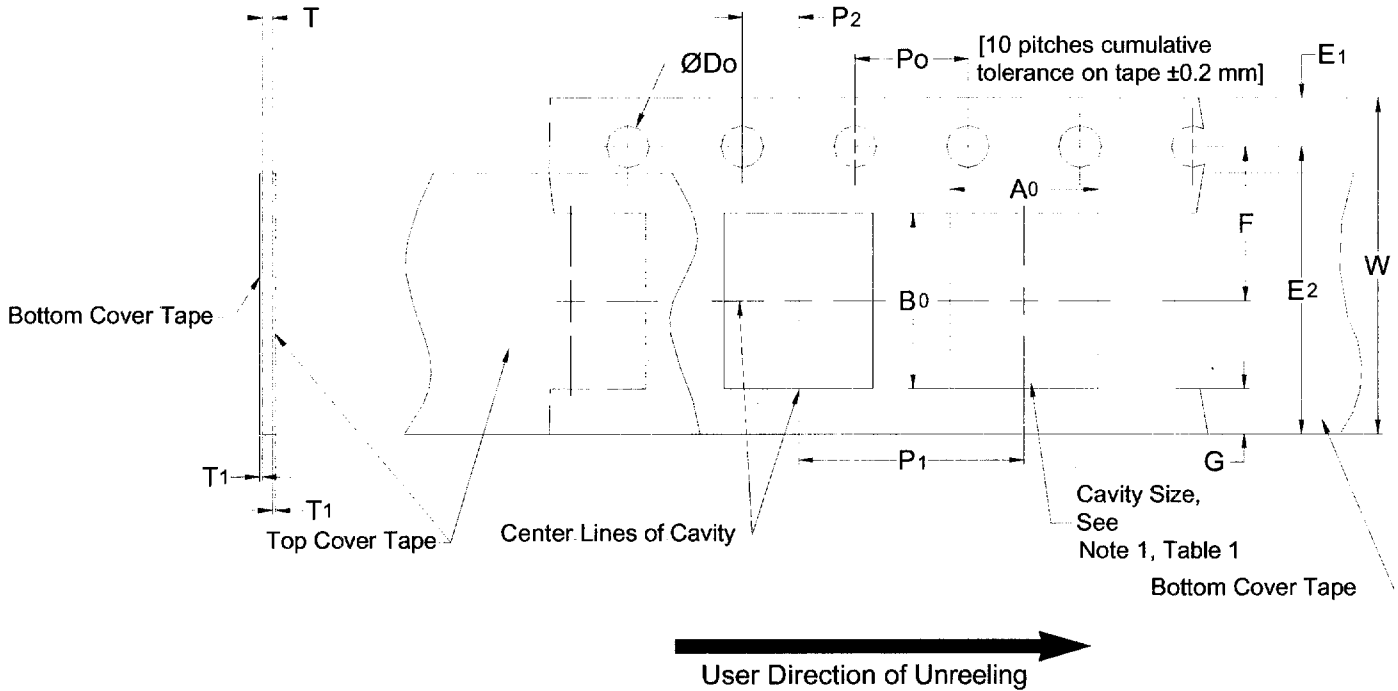


Figure 3 -- Illustration of 2 mm cavity pitch for 8 mm & 12 mm punched and embossed carrier, P_1 .
See Tables 1 & 2 and requirement 4.3

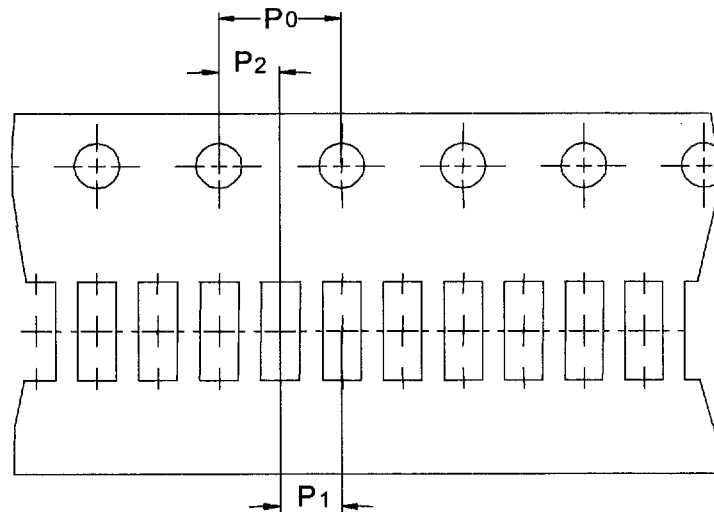


Table 1 -- 8 & 12 mm punched carrier dimensions
(all dimensions in millimeters)

Constant Dimensions

Tape Size	D ₀	E ₁	P ₀	P ₂	T ₁ Max.	G Min.	R Ref. See Note 2
8 mm & 12 mm	1.5 +0.1 -0.0	1.75± 0.1	4.0 ±0.1	2.0±0.05	0.1	0.75	25

Variable Dimensions

Tape Size	E ₂ Min.	F	P ₁	W Max.	A ₀ B ₀	T
8 mm	6.25	3.5± 0.05	2.0±0.05 or 4.0±0.1	8.3	See Note 1	1.1 mm maximum for Paper Base Tape, and 1.6 mm maximum for Non-Paper Base Compositions. See Note 2 and Requirement 4.3
12 mm	10.25	5.5± 0.05	2.0±0.05, 4.0±0.1 or 8.0±0.1	12.3		

Notes

- 1 The cavity defined by A₀, B₀ and T shall surround the component with sufficient clearance that:
 - a) the component does not protrude beyond either surface of the carrier tape.
 - b) the component can be removed from the cavity in a vertical direction without mechanical restriction, after the top cover tape has been removed.
 - c) rotation of the component is limited to 20° maximum (See Figure 6).
 - d) lateral movement of the component is restricted to 0.5 mm maximum (See Figure 7).
 - e) see Addendum for standards relating to more precise taping requirements.
- 2 The tape with or without components shall pass around R without damage (see Figure 9).

Figure 4 -- 8 mm, 12 mm, 16 mm & 24 mm embossed carrier tape dimensions

See Section 4.0 for requirements (all dimensions in millimeters)

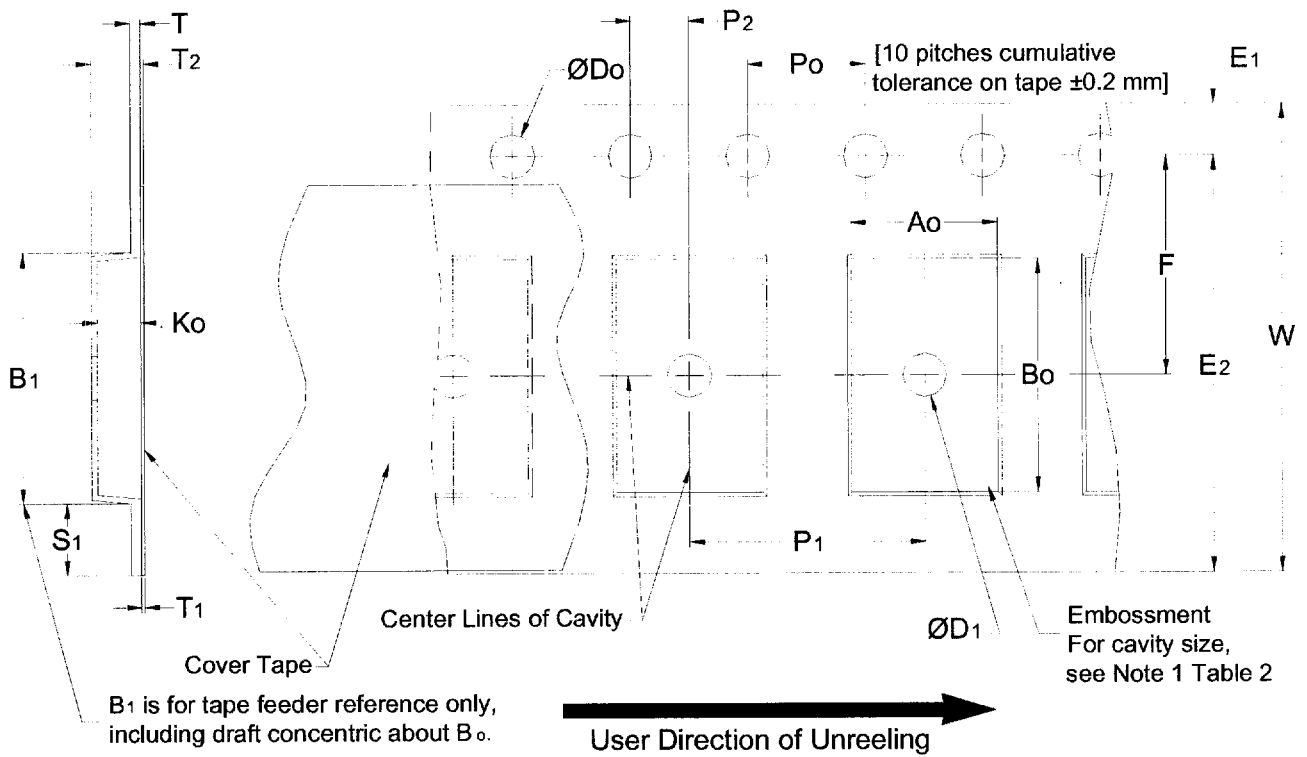


Table 2 -- 8, 12, 16 & 24 mm embossed carrier dimensions

Constant (for 2 or more widths) Dimensions

Tape Size	D ₀	D ₁ Min.	E ₁	P ₀	P ₂	R Ref. See Note 2	S ₁ Min. See Note 3	T Max.	T ₁ Max.
8 mm	1.5 +0.1 -0.0	1.0	1.75 ±0.1	4.0 ±0.1	2.0± 0.05	25	0.6	0.6	0.1
12 mm		1.5			2.0± 0.1	30			
16 mm									
24 mm									

Variable Dimensions

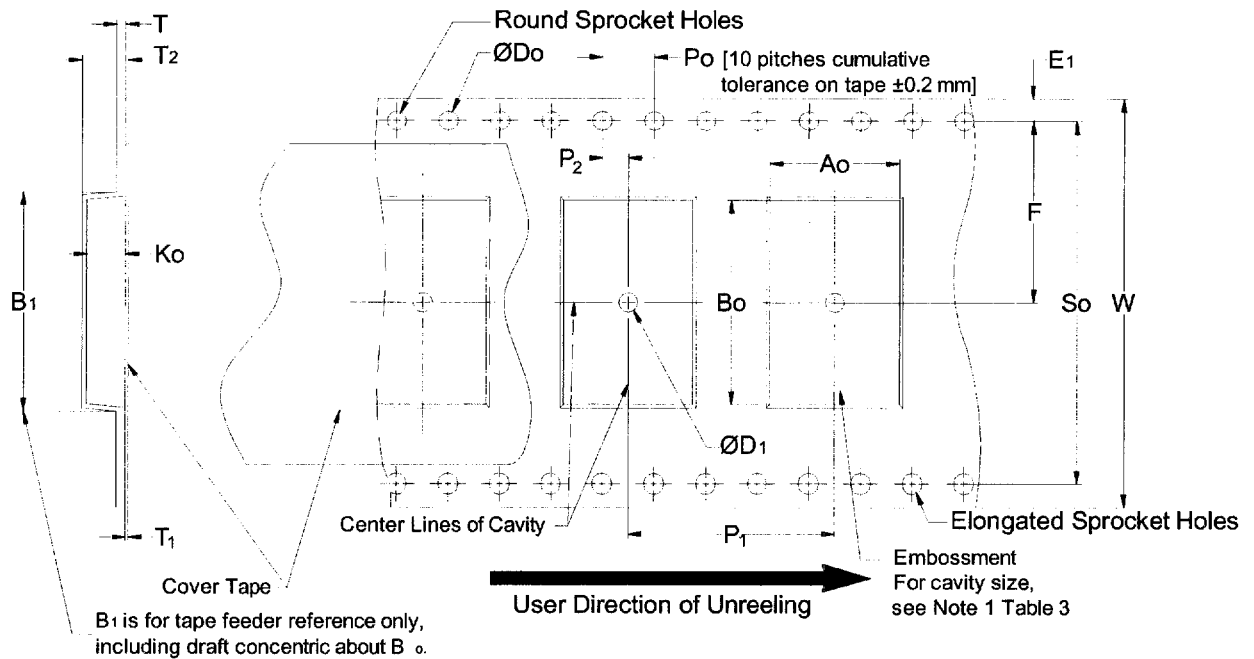
Tape Size	B ₁ Max.	E ₂ Min.	F	P ₁	T ₂ Max.	W Max	A ₀ , B ₀ & K ₀
8 mm	4.35	6.25	3.5± 0.05	2.0±0.05 or 4.0±0.10	2.5	8.3	See Note 1
12 mm	8.2	10.25	5.5± 0.05	2.0±0.05 or 4.0±0.1 or 8.0±0.1	6.5	12.3	
16 mm	12.1	14.25	7.5 ±0.1	4.0±0.1 to 12.0±0.1 in 4.0 increments	8.0	16.3	
24 mm	20.1	22.25	11.5 ±0.1	4.0±0.1 to 20.0±0.1 in 4.0 increments	12.0	24.3	

Notes

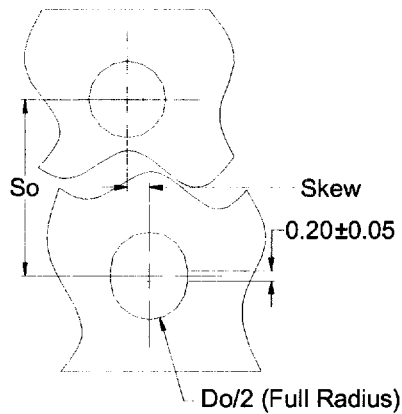
- 1 The cavity defined by A₀, B₀ and K₀ shall surround the component with sufficient clearance that:
 - (a) the component does not protrude above the top surface of the carrier tape.
 - (b) the component can be removed from the cavity in a vertical direction without mechanical restriction, after the top cover tape has been removed.
 - (c) rotation of the component is limited to 20° maximum for 8 and 12 mm tapes and 10° maximum for 16 mm and 24 mm tapes (See Figure 6).
 - (d) lateral movement of the component is restricted to 0.5 mm maximum for 8 mm and 12 mm wide tape and to 1.0 mm maximum for 16 mm, 24 mm wide tape (see Figure 7).
 - (e) see Addendum for standards relating to more precise taping requirements.
- 2 The tape with or without components shall pass around R without damage (see Figure 9).
- 3 If S₁<1.0 mm, there may not be enough area for cover tape to be properly applied (see paragraph 4.3 (b)).

Figure 5 – 32, 44, 56, 72, 88, 104, 120, 136, 152, 168, 184 and 200 mm embossed carrier tape dimensions

See Section 4.0 for requirements (all dimensions in millimeters)



Detail, Elongation and Skew of Sprocket Holes



Tape Size	Skew, MAX.
32-56 mm	0.05 mm
72-88 mm	0.10 mm
104-152 mm	0.15 mm
168-200 mm	0.20 mm

Table 3 -- 32, 44, 56, 72, 88, 104, 120, 136, 152, 168, 184 & 200 mm embossed carrier dimensions

Constant Dimensions (for 2 or more widths)

Tape Size	D ₀	D ₁ Min.	E ₁	P ₀	P ₂	R Ref. See Note 2	T Max.	T ₁ Max.
32 mm	1.5+0.1 -0.0	2.0	1.75± 0.10	4.0± 0.1	2.0±0.1	50	0.6	0.1
44 mm					2.0±0.15			
56 mm					2.0±0.2	75		
72 mm through 200 mm								

Variable Dimensions

Tape Size	B ₁ Max.	F	P ₁ (in 4.0 increments)	S ₀	T ₂ Max.	W	A ₀ , B ₀ & K ₀
32 mm	23.0	14.2±0.10	4.0±0.1 to 32.0±0.1	28.4±0.1	12.0	32.0±0.3	See Note 1
44 mm	35.0	20.2±0.15	4.0±0.1 to 44.0±0.1	40.4±0.1	16.0	44.0±0.3	
56 mm	46.0	26.2±0.15	4.0±0.1 to 56.0±0.1	52.4±0.1	20.0	56.0±0.3	
72 mm	60.0	34.2±0.30	4.0±0.1 to 72.0±0.1	68.4±0.1	30.0	72.0±0.3	
88 mm	76.0	42.2±0.30		84.4±0.1		88.0±0.3	
104 mm	91.0	50.2±0.35		100.4±0.1	35.0	104.0±0.3	
120 mm	107.0	58.2±0.35		116.4±0.1	40.0	120.0±0.3	
136 mm	123.0	66.2±0.40		132.4±0.1		136.0±0.3	
152 mm	139.0	74.2±0.40		148.4±0.1		152.0±0.3	
168 mm	153.0	82.2±0.45		164.4±0.1		168.0±0.3	
184 mm	169.0	90.2±0.45		180.4±0.1		184.0±0.3	
200 mm	185.0	98.2±0.50		196.4±0.1		200.0±0.3	

Notes

- The cavity defined by A₀, B₀ and K₀ shall surround the component with sufficient clearance that:
 - the component does not protrude above the top surface of the carrier tape.
 - the component can be removed from the cavity in a vertical direction without mechanical restriction, after the top cover tape has been removed.
 - rotational limits of the component in the pocket are illustrated in Figure 6.
 - lateral movement of the component is restricted to 1.0 mm maximum (See Figure 7).
- The tape with or without components shall pass around R without damage (see Figure 9).

Figure 6 -- Maximum component rotation for punched and embossed carrier

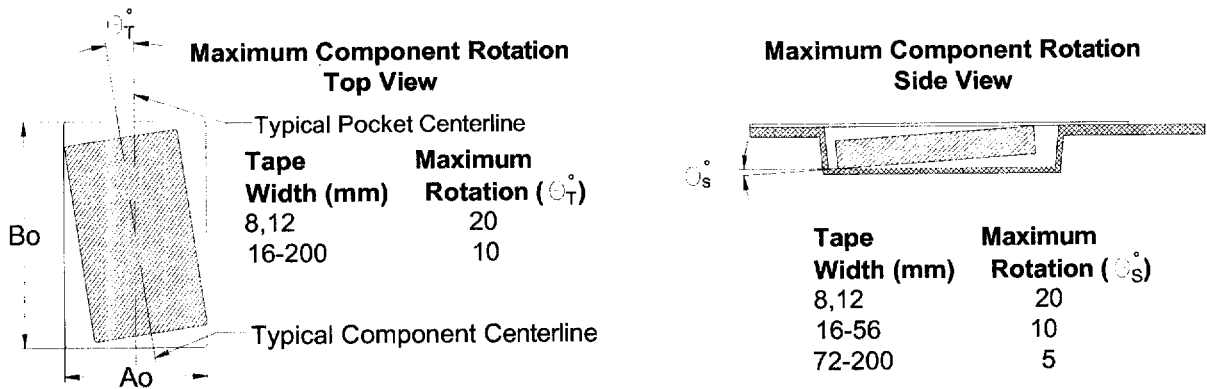
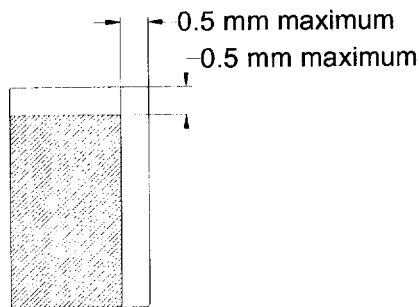


Figure 7 -- Maximum lateral movement for punched and embossed carrier

8 mm & 12 mm Tape



16-200 mm Tape

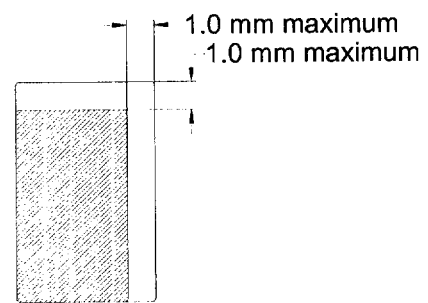


Figure 8 -- Bar code label area for punched and embossed carrier

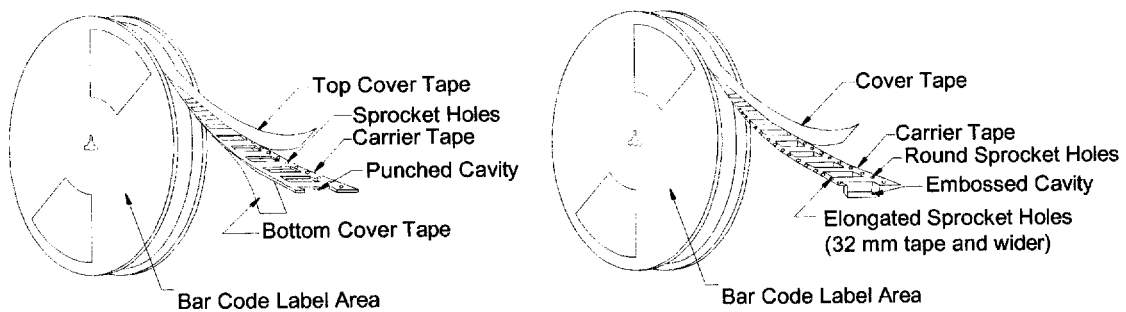


Figure 9 -- Bending radius for punched and embossed carrier

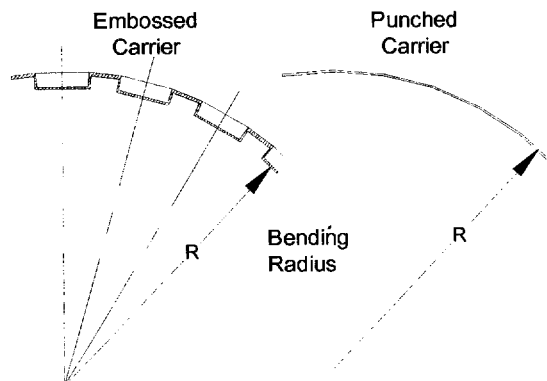


Figure 10 -- Maximum camber for punched and embossed carrier

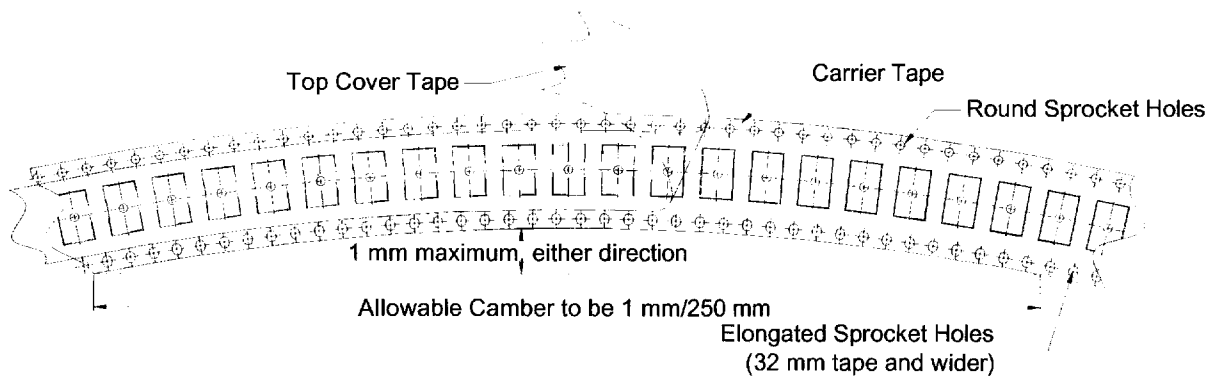
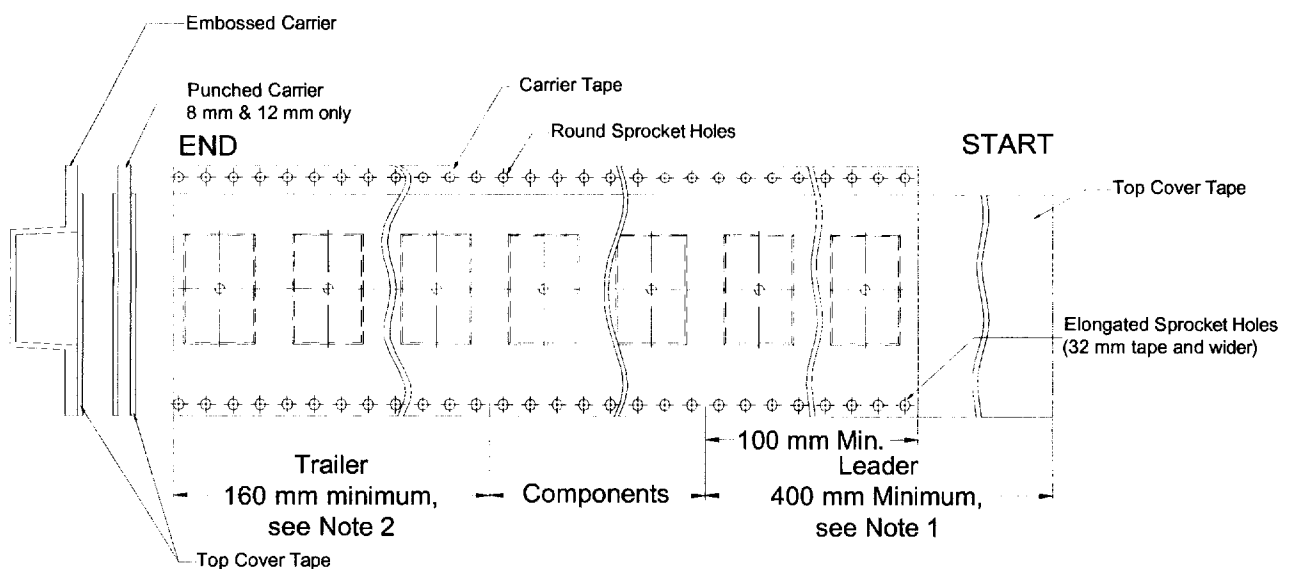


Figure 11 -- Tape leader & trailer dimensions for punched and embossed carrier

See section 4.0 for requirements (all dimensions in millimeters)

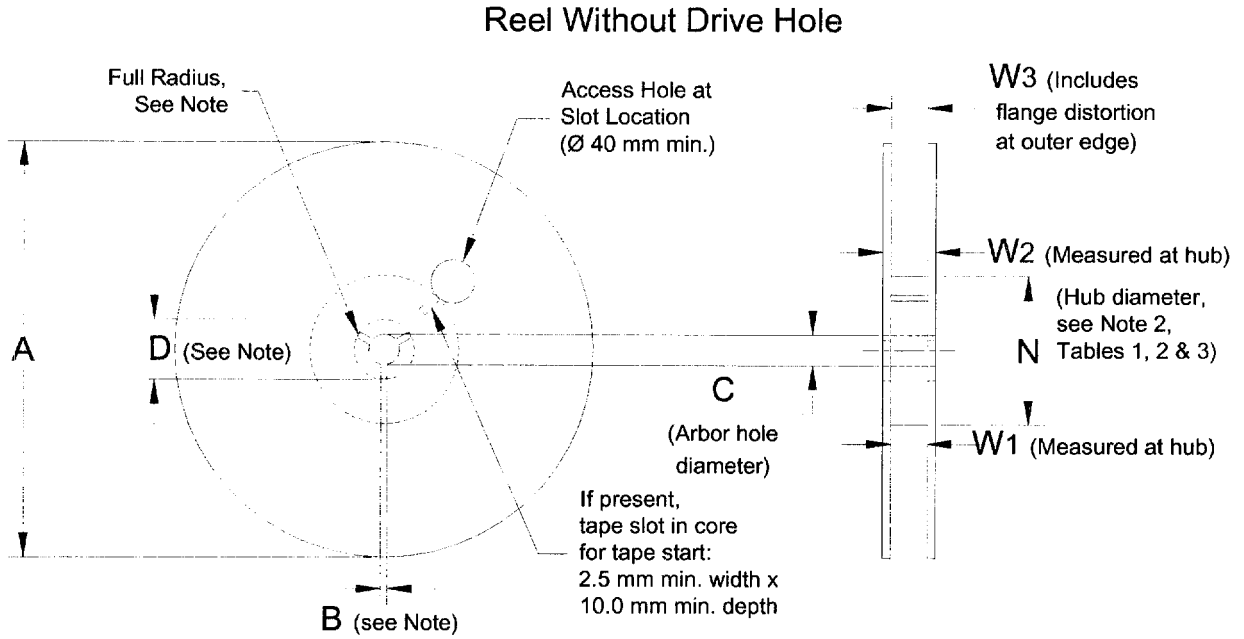


NOTES

1. There shall be a leader of 400 mm minimum of cover tape, which includes at least 100 mm of carrier tape with empty compartments and sealed by the cover tape. All of the leader may consist of the carrier tape with empty compartments sealed by cover tape.
2. There shall be a trailer of 160 mm minimum of empty carrier tape sealed with cover tape. The entire carrier tape must release from the reel hub as the last portion of the tape unwinds from the reel without damage to the carrier tape and the remaining components in the cavities.

Figure 12 -- Reel dimensions

See Section 4.0 for requirements (all dimensions in millimeters)



Note: Drive spokes optional; if used, dimensions B and D shall apply.

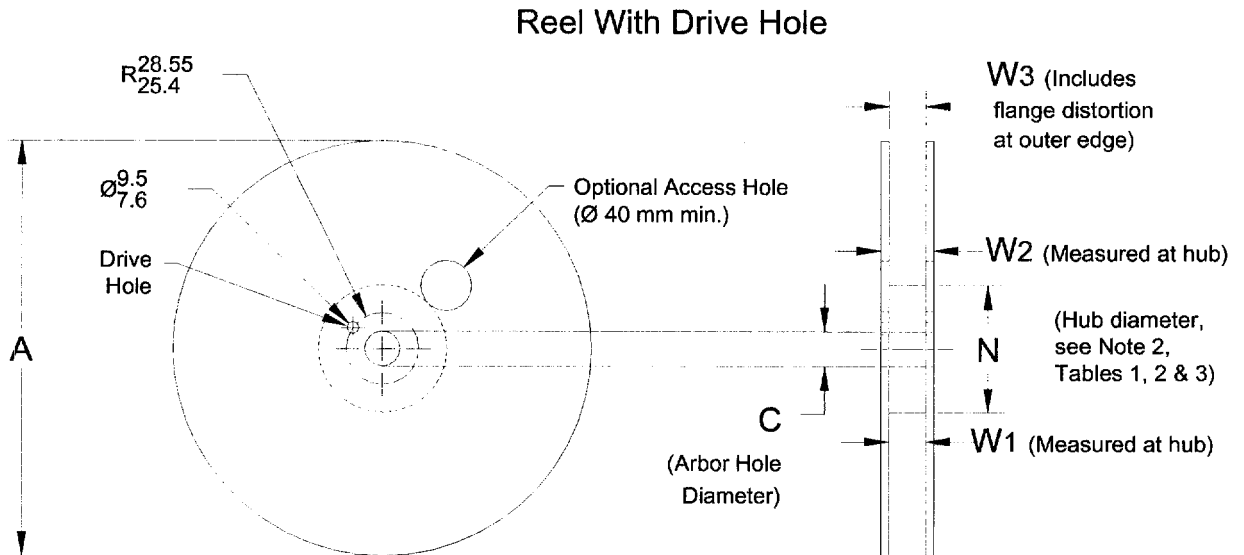


Table 4 -- Reel dimensions

See Section 4.0 for requirements (all dimensions in millimeters)

Constant Dimensions

Tape Size	Reels Without Drive Hole				Reels With Drive Hole		
	A Max.	B Min.	C	D Min.	B	C Max.	D
8 mm to 200 mm	609	1.5	13.0+0.5 -0.2	20.2	Not Applicable	29.2	Not Applicable

Variable Dimensions

Tape Size (mm)	N Min. See Note 2, Tables 1-3	W ₁	W ₂ Max for A < 360 mm See Note 1	W ₂ Max for A ≥ 360 and ≤ 609 mm See Note 2	W ₃
8	50	8.4 +1.5/-0.0	14.4	14.4	Shall Accommodate Tape Width Without Interference
12		12.4 +2.0/-0.0	18.4	18.4	
16		16.4 +2.0/-0.0	22.4	29.0	
24	60	24.4 +2.0/-0.0	30.4	37.0	
32	See Note 3	32.4 +2.0/-0.0	38.4	45.0	
44		44.4 +2.0/-0.0	50.4	57.0	
56		56.4 +2.0/-0.0	62.4	69.0	
72		72.4 Min.	89.0		
88		88.4 Min.	105.0		
104		104.4 Min.	121.0		
120		120.4 Min.	137.0		
136		136.4 Min.	153.0		
152		152.4 Min.	169.0		
168		168.4 Min.	185.0		
184		184.4 Min.	201.0		
200		200.4 Min.	217.0		

Notes

- For reels less than 360 mm diameter (A), the most widely used reel diameters are 178 mm ± 2 mm and 330 mm ± 2 mm. Reel diameters ranging from 254 mm to 292 mm also exist. Commonly used hub diameters are 80, 100, 150, and 178 mm.
- For reels greater than or equal to 360 mm diameter (A), various sizes exist with the most widely used being 381 mm ± 2 mm, 482 mm ± 2 mm and 558 mm ± 2 mm. Hub diameters vary widely, up to 254 mm.
- Tape with components must wrap around hub without damage.

Addendum

Complementary taping standards:

- EIA-726 8 mm Punched & Embossed Carrier Taping of Surface Mount Components for Automatic Handling of Devices Smaller Than 2.0 mm x 1.2 mm**

- EIA-747 Adhesive Backed Punched Plastic Carrier Taping of Singulated Bare Die and Other Surface Mount Components for Automatic Handling of Devices Generally Less Than 1.0 mm Thick**

- EIA-763 Bare Die and Chip Scale Packages Taped in 8 mm & 12 mm Carrier Tape for Automatic Handling**

Recommendation:

For waste minimization purposes it is recommended that the industry modify its methods and equipment so that the minimum leader dimension can be eventually reduced from 400 mm to 320 mm and that the minimum trailer dimension be reduced from 160 mm to 80 mm.