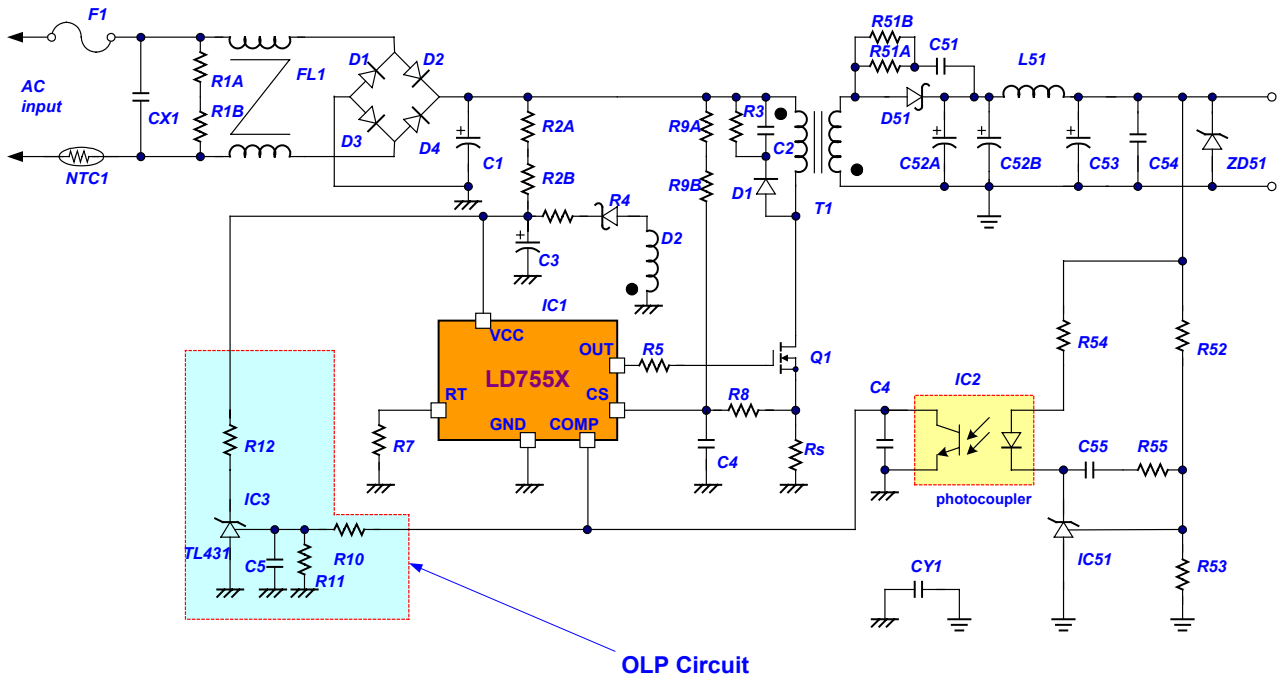


OLP Design for LD755X

Total pages	Revision	Date
2	0	2004/09/02

1. Circuit



1. Set R11 as 100KΩ and C5 as 0.1μF in the beginning.
2. The OLP trigger level is usually set within 4V~5V. So that, the R10 range will be within 75KΩ~100KΩ. It is related to the power stage design. In the most of cases, select R10=91KΩ to set the level as 4.5V.
3. Set R12=1KΩ as the initial condition. Adjust the value of R12 will change the re-start cycle when enter the OLP mode.