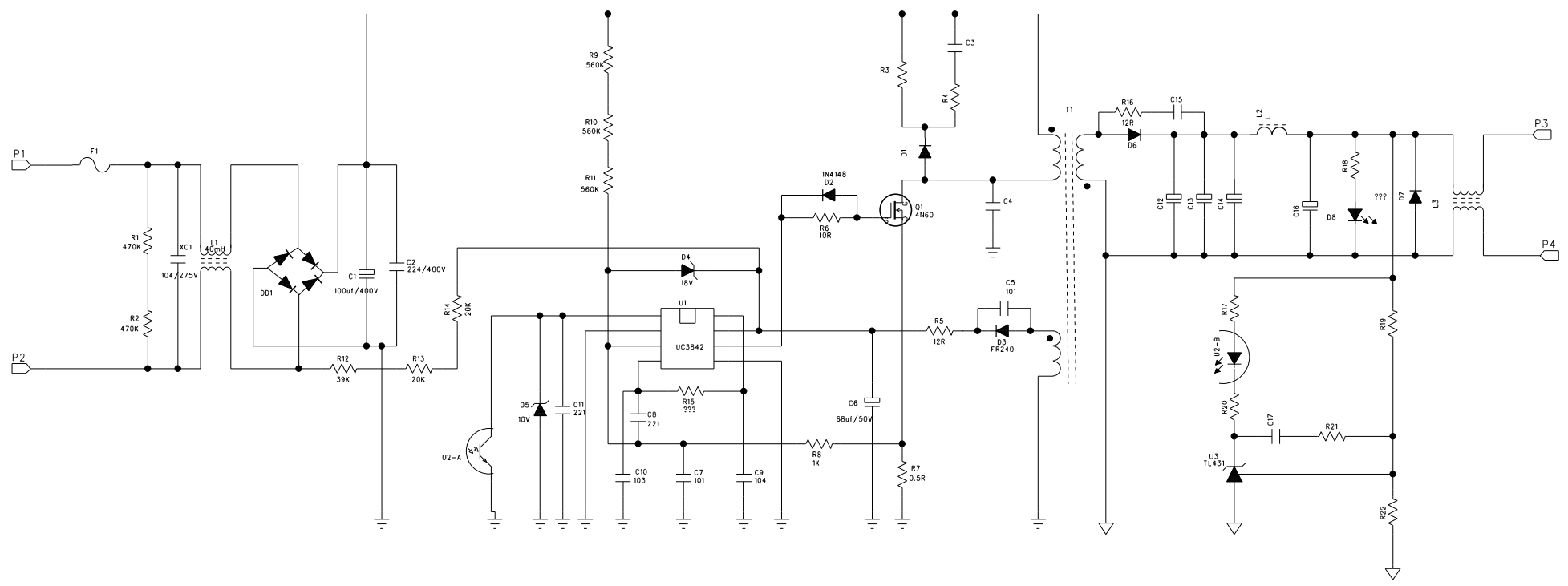


REVISION RECORD			
LTR	ECO NO:	APPROVED:	DATE:



输入 AC90-260V，输出 20V3A D6 应该用什么的二极管

DRAWN:				DATED:				COMPANY:							
CHECKED:				DATED:				TITLE:							
QUALITY CONTROL:				DATED:				CODE:		SIZE:		DRAWING NO:		REV:	
RELEASED:				DATED:				SCALE:				SHEET: OF			