

SECL

珠海厦尔电子有限公司
SHARE ELECTRONICS CO.,LTD

TEL: 86-756-2621642 FAX: 86-756-2622642

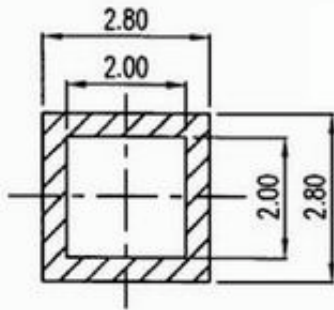
MODEL NAME:

EE8.3 立式 6PIN

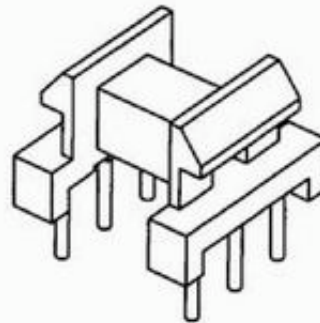
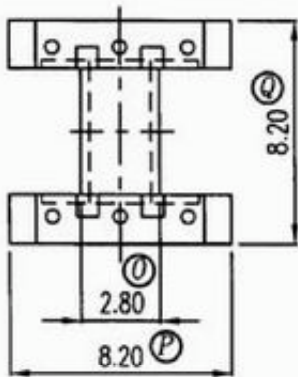
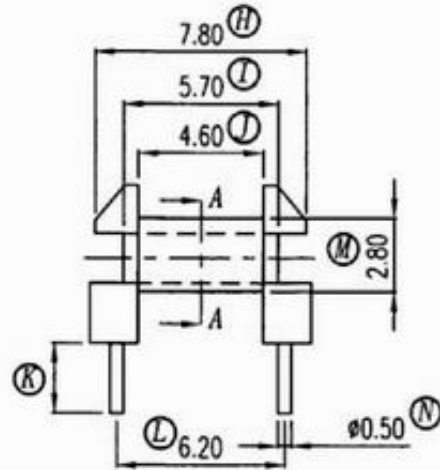
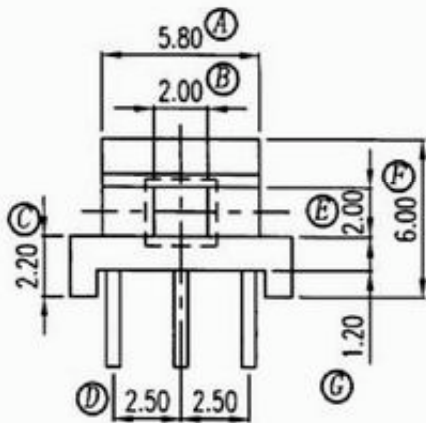
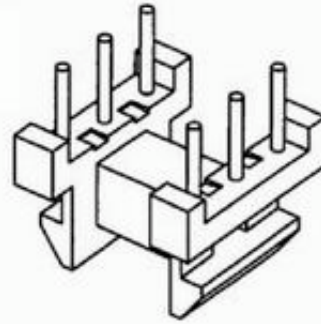
DRAWING NO.

B-0801

DRAFTER	AMY LEE	TOLERANCE 0<L≤4 ±0.1 4<L≤16 ±0.2 16<L≤50 ±0.3 50<L ±0.5	ANGLE ±1°	UL REC:	BOBBIN MATERIAL:	
CHECKER	RICHARD			SCALE: NO SCALE	UL 94V-0	PHENOLIC
APPROVER	SEAROC	PIN PITCH ±0.2		PIN TENSION LOAD	PIN MATERIAL:	
				UNIT	DATE:	REV
				MM	2005-2-15	A2



SECTION A-A



SECL

珠海厦尔电子有限公司

SHARE ELECTRONICS CO.,LTD

TEL: 86-756-2621642 FAX: 86-756-2622642

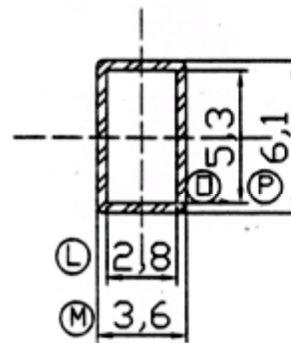
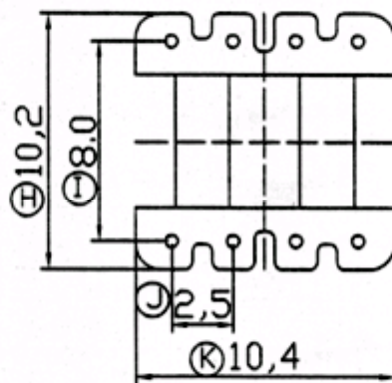
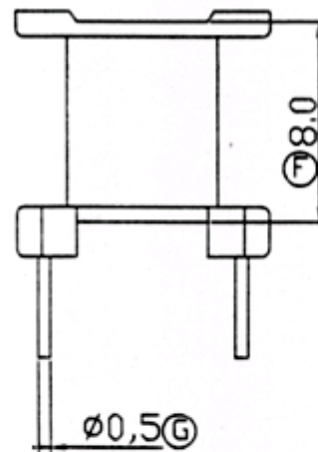
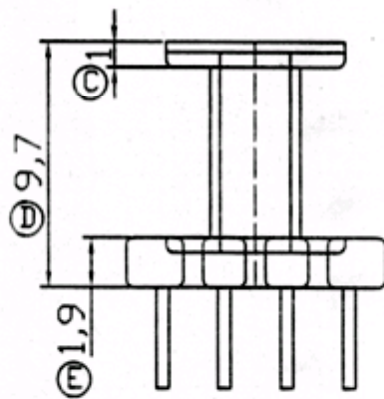
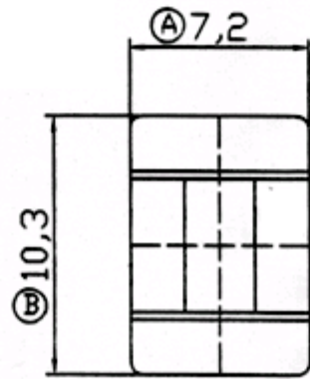
MODEL NAME:

EE8.3 卧式 6PIN

DRAWING NO.

B-0802

DRAFTER	AMY LEE	TOLERANCE 0<L≤4 ±0.1 4<L≤16 ±0.2 16<L≤50 ±0.3 50<L ±0.5	ANGLE ±1°	UL REC:	BOBBIN MATERIAL:	
CHECKER	RICHARD			SCALE:	UL 94V-0	PHENOLIC
APPROVER	SEAROC	PIN PITCH ±0.2	NO SCALE	PIN TENSION LOAD	PIN MATERIAL:	
				0.8 KG MIN	CP WIRE	
				UNIT	DATE:	REV
				MM	2005-2-15	A2

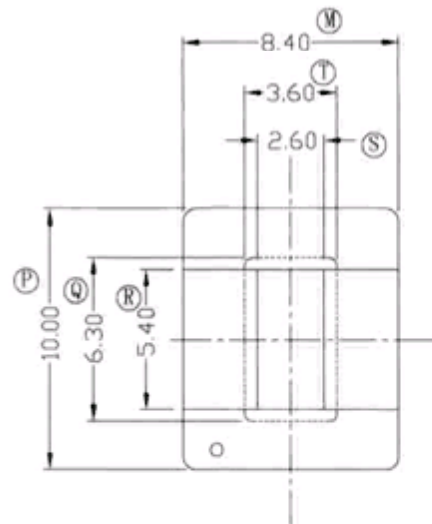
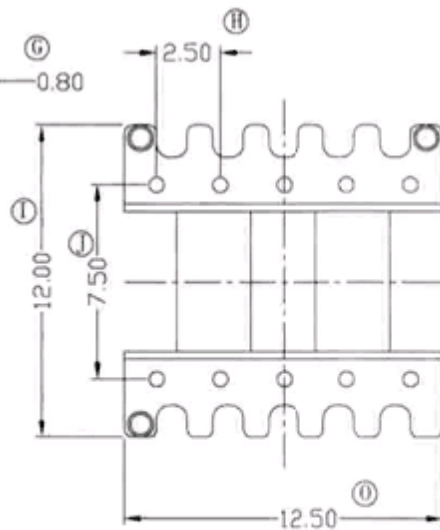
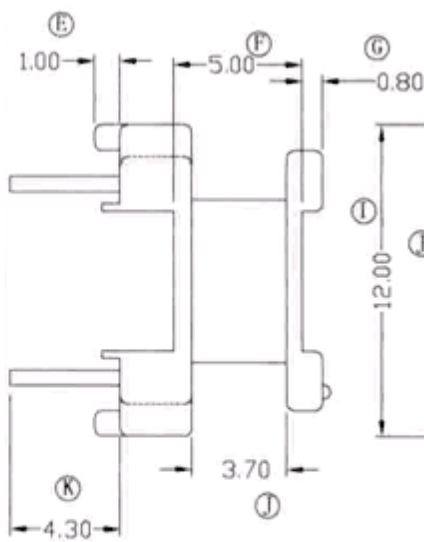
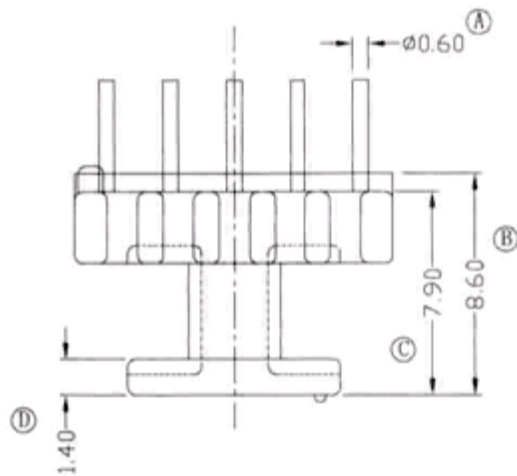


珠海厦尔电子有限公司
SHARE ELECTRONICS CO.,LTD
TEL: 86-756-2621642 FAX: 86-756-2622642

MODEL NAME
EE-10 8PIN

DRAWING NO.
B-1001

DRAFTER	AMY LEE	TOLERANCE 0 < L ≤ 4 ±0.1 4 < L ≤ 16 ±0.2 16 < L ≤ 50 ±0.3 50 < L ±0.5	ANGLE ±1°	UL REC: UL 94V-0	BOBBIN MATERIAL: PHENOLIC	
CHECKER	RICHARD		SCALE NO SCALE	PIN TENSION LOAD 1. 0KG MIN	PIN MATERIAL: CP WIRE	
APPROVER	SEAROC	PIN PITCH ±0.2		UNIT MM	DATE: 2004-07-22	REV A1

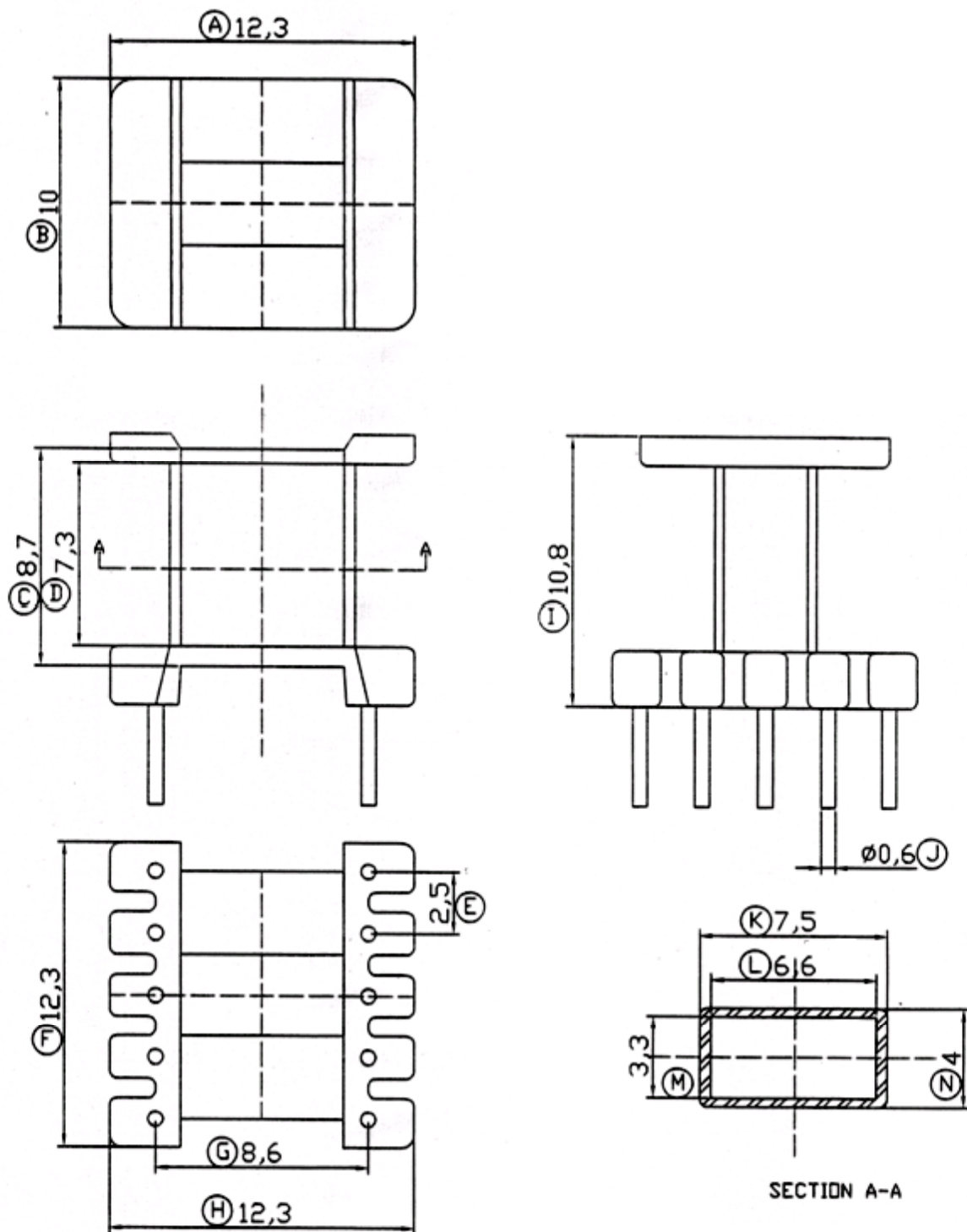


珠海厦尔电子有限公司
 SHARE ELECTRONICS CO.,LTD
 TEL: 86-756-2621642 FAX: 86-756-2622642

MODEL NAME
EI-12.5 10PIN

DRAWING NO.
B-1201

DRAFTER	AMY LEE	TOLERANCE		ANGLE ±1°	UL REC:	BOBBIN MATERIAL:	
		0 < L ≤ 4	±0.1		UL 94V-0	PHENOLIC	
CHECKER	RICHARD	4 < L ≤ 16	±0.2	SCALE NO SCALE	PIN TENSION LOAD	PIN MATERIAL:	
		16 < L ≤ 50	±0.3		1.5KG MIN	CP WIRE	
APPROVER	SEAROC	50 < L	±0.5		UNIT	DATE:	REV
		PIN PITCH	±0.2		MM	2004-07-22	A1



珠海厦尔电子有限公司
 SHARE ELECTRONICS CO.,LTD
 TEL: 86-756-2621642 FAX: 86-756-2622642

MODEL NAME
EE-13 10PIN

DRAWING NO.
B-1301

DRAFTER	AMY LEE	TOLERANCE		ANGLE $\pm 1^\circ$
		$0 < L \leq 4$	± 0.1	
CHECKER	RICHARD	$4 < L \leq 16$	± 0.2	SCALE NO SCALE
		$16 < L \leq 50$	± 0.3	
APPROVER	SEAROC	$50 < L$	± 0.5	
		PIN PITCH	± 0.2	

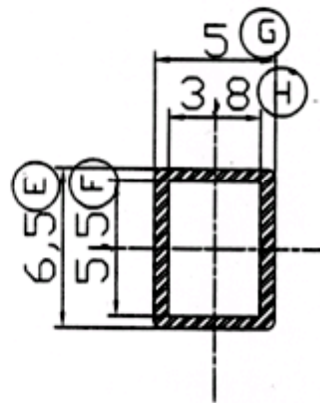
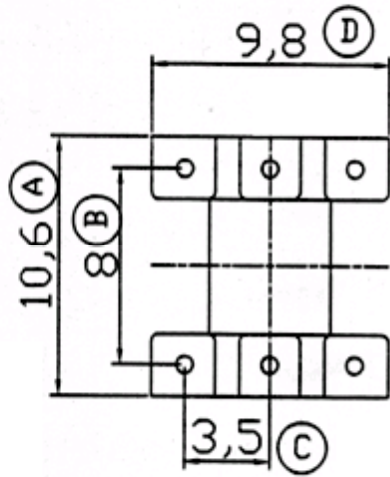
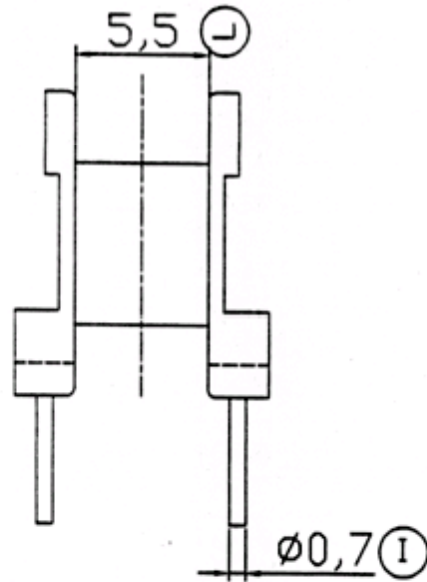
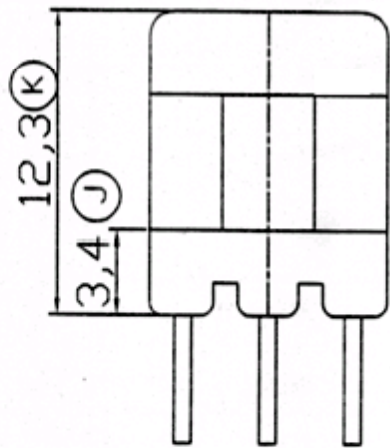
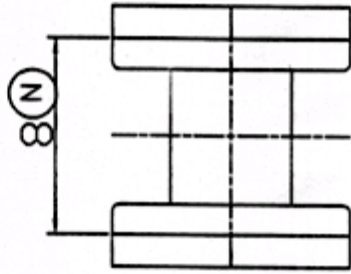
UL REC:
UL 94V-0

BOBBIN MATERIAL:
PHENOLIC

PIN TENSION LOAD
1. 2KG MIN

PIN MATERIAL:
CP WIRE

UNIT MM	DATE: 2004-07-22	REV A1
-------------------	----------------------------	------------------

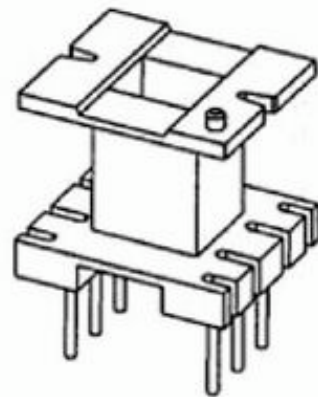
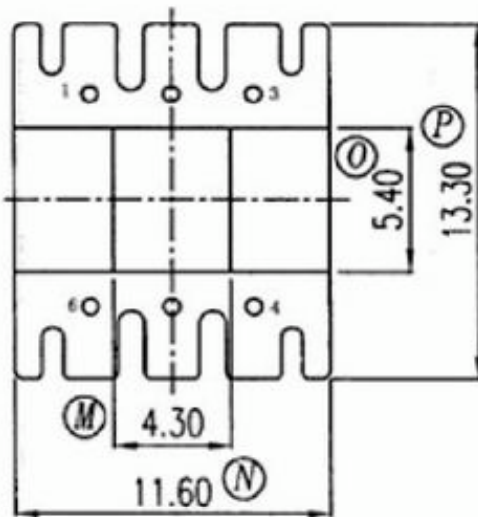
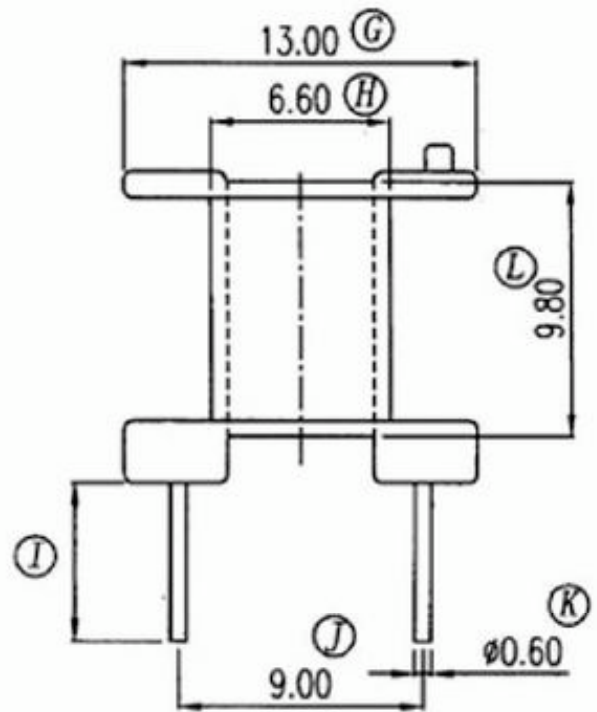
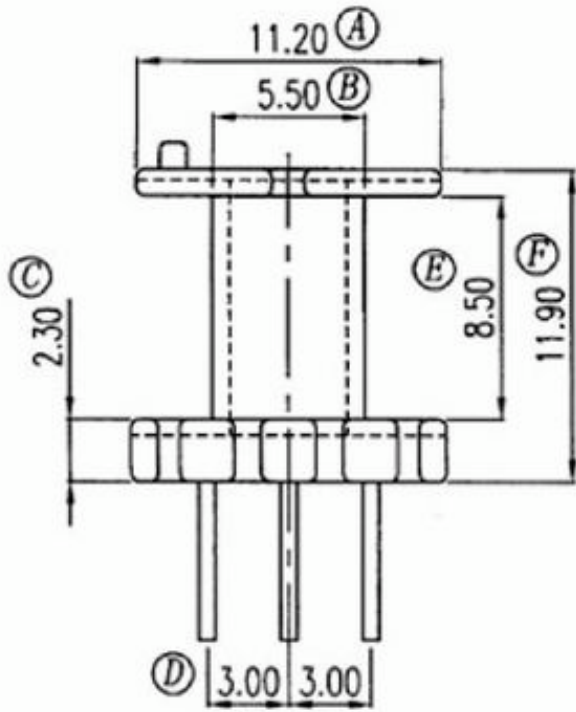


珠海厦尔电子有限公司
 SHARE ELECTRONICS CO.,LTD
 TEL: 86-756-2621642 FAX: 86-756-2622642

MODEL NAME
EE-14 6PIN

DRAWING NO.
B-1401

DRAFTER	AMY LEE	TOLERANCE		ANGLE $\pm 1^\circ$	UL REC:	BOBBIN MATERIAL:	
		0 < L ≤ 4	±0.1		UL 94V-0	PHENOLIC	
CHECKER	RICHARD	4 < L ≤ 16	±0.2	SCALE NO SCALE	PIN TENSION LOAD	PIN MATERIAL:	
		16 < L ≤ 50	±0.3		1. 2KG MIN	CP WIRE	
APPROVER	SEAROC	50 < L	±0.5		UNIT	DATE:	REV
		PIN PITCH	±0.2		MM	2004-07-22	A1



珠海展尔电子有限公司
 SHARE ELECTRONICS CO.,LTD
 TEL: 86-756-2621642 FAX: 86-756-2622642

MODEL NAME: **EE-16 6PIN**

DRAWING NO. **B-1604**

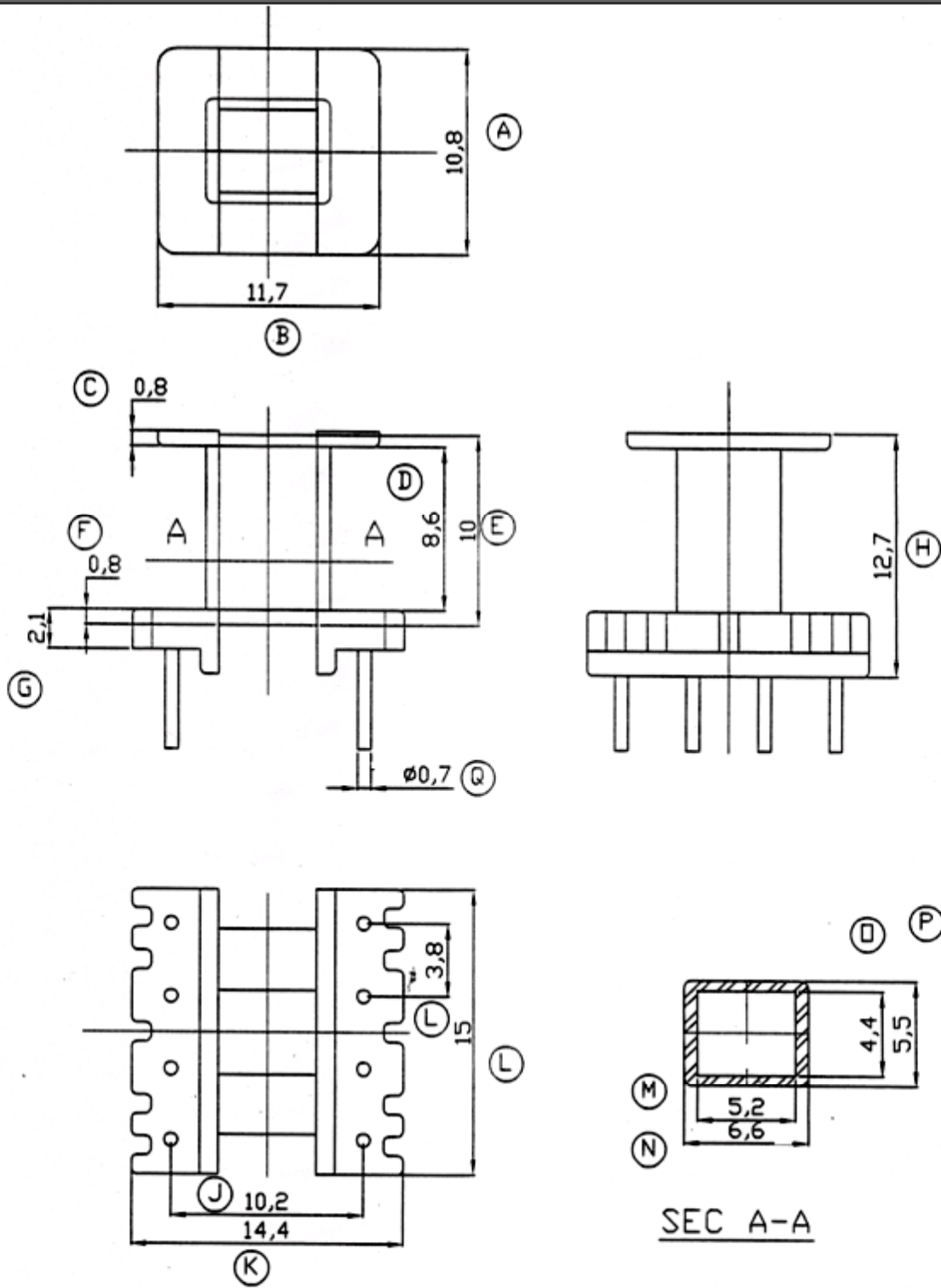
DRAFTER	AMY LEE	TOLERANCE		ANGLE $\pm 1^\circ$
		0<L≤4	±0.1	
CHECKER	RICHARD	4<L≤16	±0.2	SCALE: NO SCALE
		16<L≤50	±0.3	
APPROVER	SEAROC	50<L	±0.5	UNIT MM
		PIN PITCH	±0.2	

UL REC: **UL 94V-0** BOBBIN MATERIAL: **PHENOLIC**

PIN TENSION LOAD **1. 2KG MIN** PIN MATERIAL: **CP WIRE**



DATE: **2005-01-22** REV **A2**

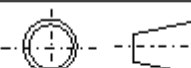


SECL

珠海厦尔电子有限公司
 SHARE ELECTRONICS CO., LTD
 TEL: 86-756-2621642 FAX: 86-756-2622642

MODEL NAME
EE-16 8PIN

DRAWING NO.
B-1606

DRAFTER	AMY LEE	TOLERANCE		ANGLE $\pm 1^\circ$
		$0 < L \leq 4$	± 0.1	
CHECKER	RICHARD	$4 < L \leq 16$	± 0.2	SCALE NO SCALE
		$16 < L \leq 50$	± 0.3	
APPROVER	SEAROC	$50 < L$	± 0.5	
		PIN PITCH	± 0.2	

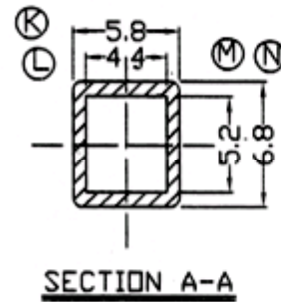
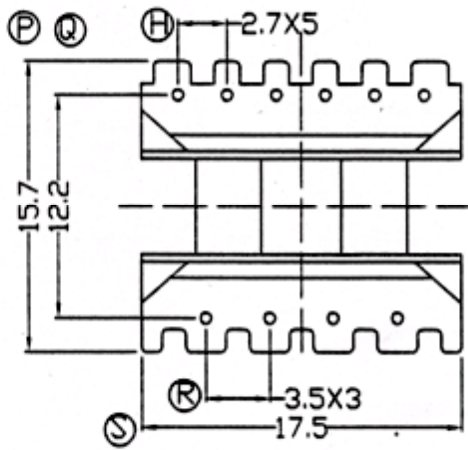
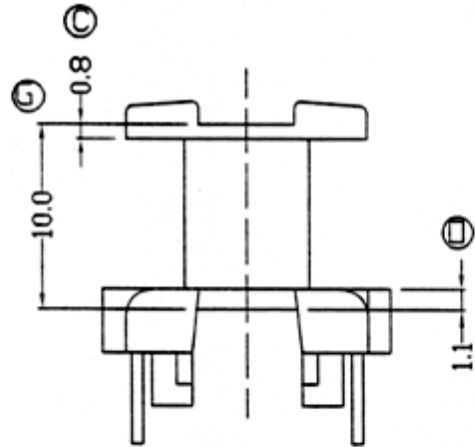
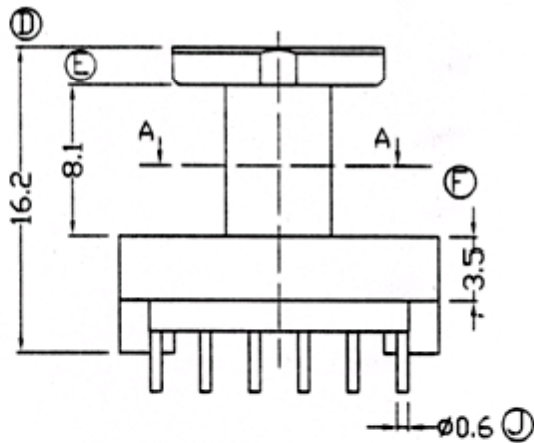
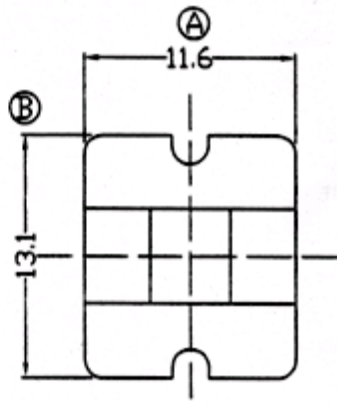
UL REC:
UL 94V-0

BOBBIN MATERIAL:
PHENOLIC

PIN TENSION LOAD
1. 2KG MIN

PIN MATERIAL:
CP WIRE

UNIT: **MM** DATE: **2004-07-22** REV: **A1**



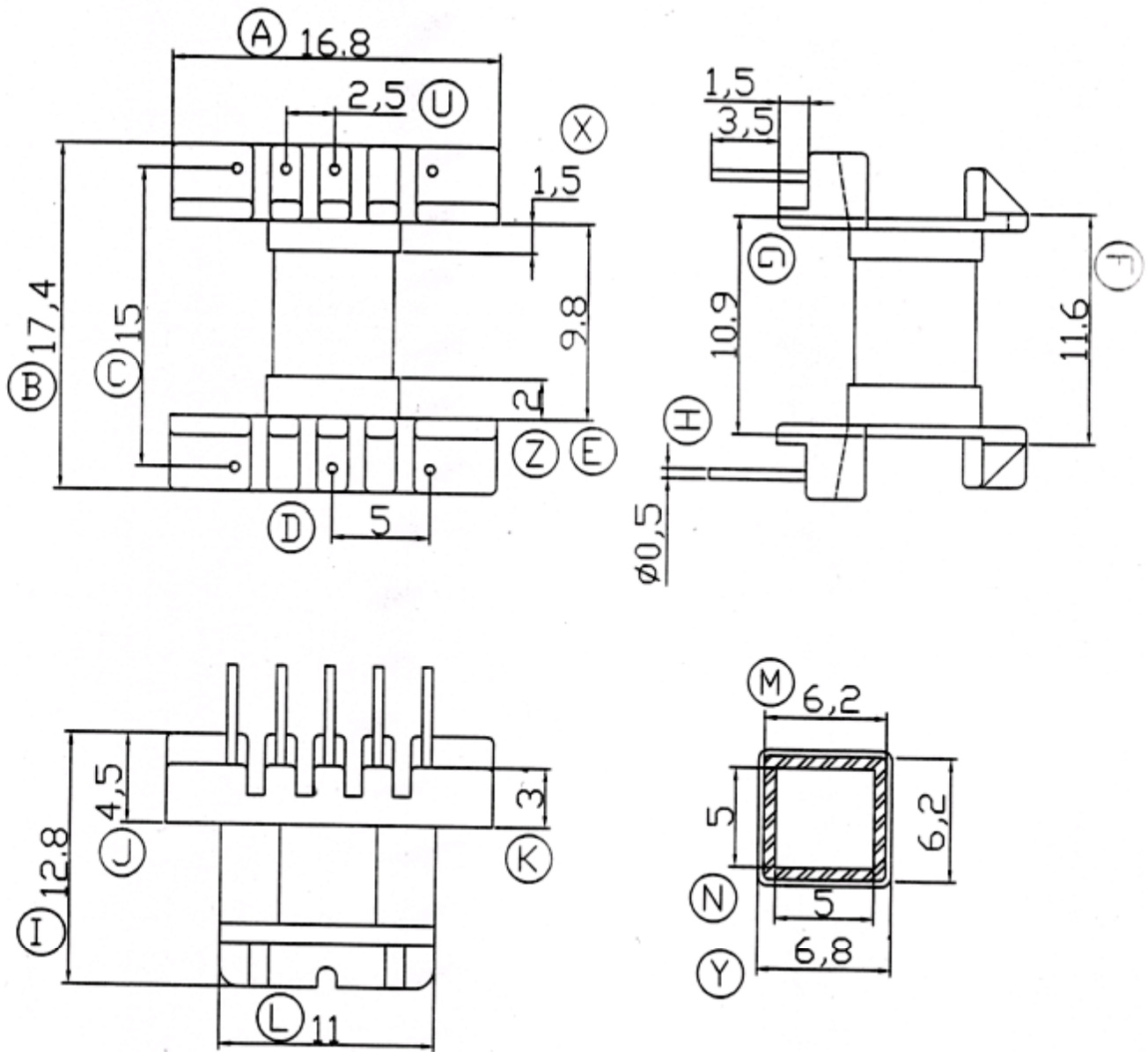
珠海厦尔电子有限公司
 SHARE ELECTRONICS CO.,LTD
 TEL: 86-756-2621642 FAX: 86-756-2622642

MODEL NAME
EE-16 10PIN

DRAWING NO.
B-1609

DRAFTER	AMY LEE	TOLERANCE		ANGLE ±1°
		0 < L ≤ 4	±0.1	
CHECKER	RICHARD	4 < L ≤ 16	±0.2	SCALE NO SCALE
		16 < L ≤ 50	±0.3	
APPROVER	SEAROC	50 < L	±0.5	
		PIN PITCH	±0.2	

UL REC: UL 94V-0	BOBBIN MATERIAL: PHENOLIC	
PIN TENSION LOAD 1. 2KG MIN	PIN MATERIAL: CP WIRE	
UNIT MM	DATE: 2004-07-22	REV A1



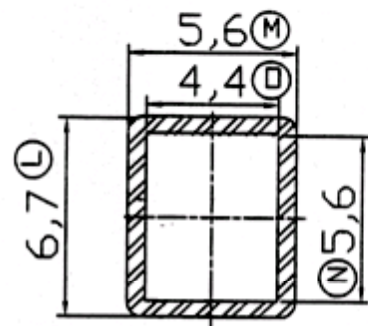
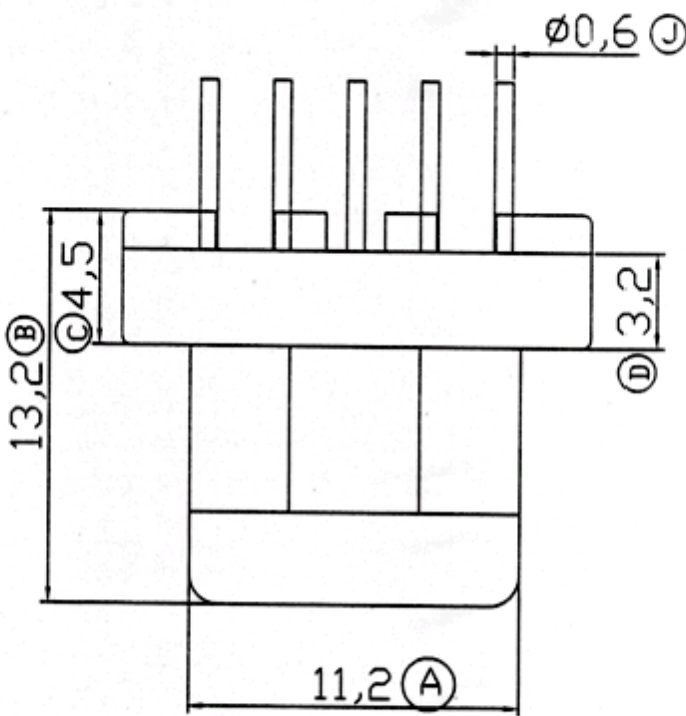
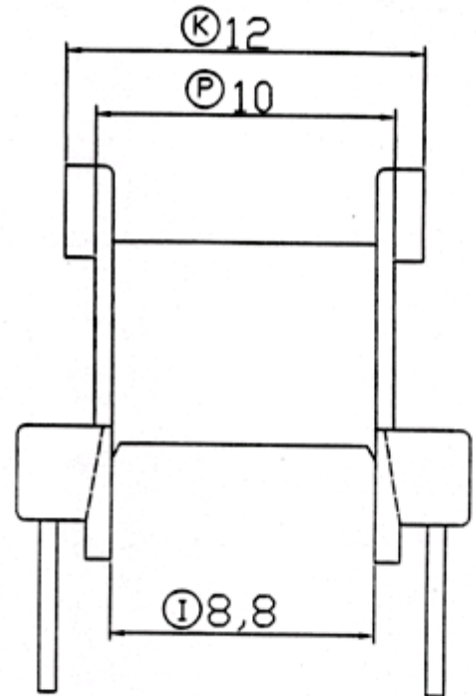
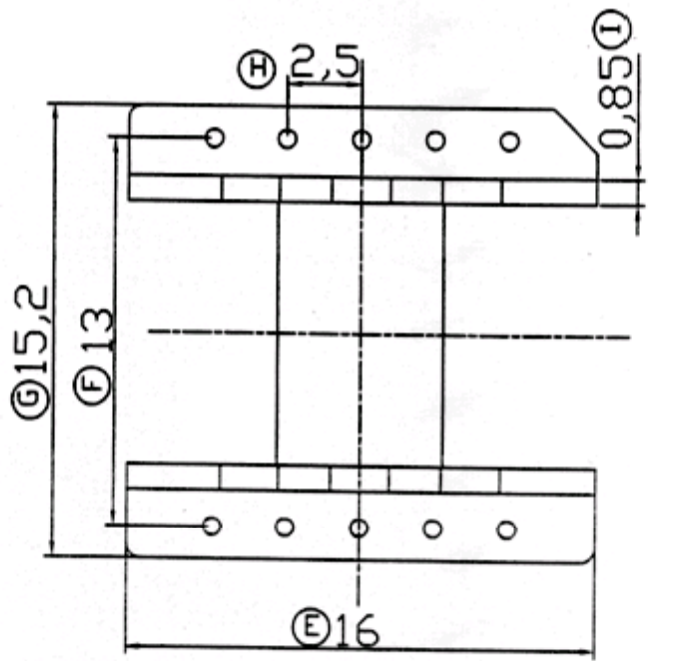
SECL

珠海厦尔电子有限公司
 SHARE ELECTRONICS CO.,LTD
 TEL: 86-756-2621642 FAX: 86-756-2622642

MODEL NAME
EF-16 10PIN

DRAWING NO.
B-1605

DRAFTER	AMY LEE	TOLERANCE		ANGLE $\pm 1^\circ$	UL REC:	BOBBIN MATERIAL:	
		0 < L ≤ 4	±0.1		UL 94V-0	PHENOLIC	
CHECKER	RICHARD	4 < L ≤ 16	±0.2	SCALE NO SCALE	PIN TENSION LOAD	PIN MATERIAL:	
		16 < L ≤ 50	±0.3		1. 2KG MIN	CP WIRE	
APPROVER	SEAROC	50 < L	±0.5		UNIT	DATE:	REV
		PIN PITCH	±0.2		MM	2004-07-22	A1



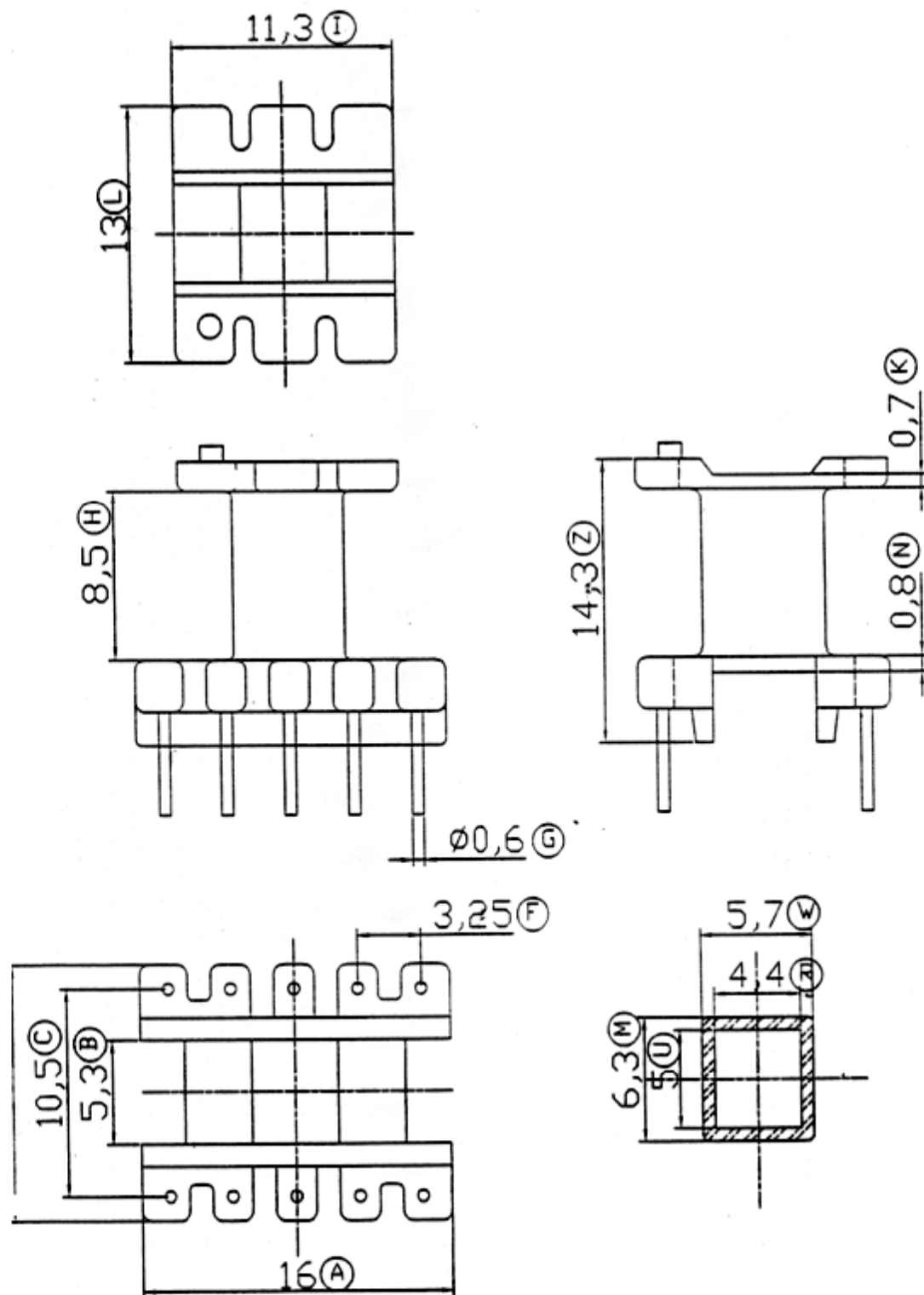
珠海厦尔电子有限公司
 SHARE ELECTRONICS CO.,LTD
 TEL: 86-756-2621642 FAX: 86-756-2622642

MODEL NAME
EE-16 10PIN

DRAWING NO.
B-1607

DRAFTER	AMY LEE	TOLERANCE		ANGLE ±1°
		0 < L ≤ 4	±0.1	
CHECKER	RICHARD	4 < L ≤ 16	±0.2	SCALE NO SCALE
		16 < L ≤ 50	±0.3	
APPROVER	SEAROC	50 < L	±0.5	
		PIN PITCH	±0.2	

UL REC: UL 94V-0	BOBBIN MATERIAL: PHENOLIC	
PIN TENSION LOAD 1. 2KG MIN	PIN MATERIAL: CP WIRE	
UNIT MM	DATE: 2004-07-22	REV A1

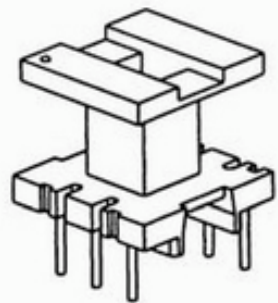
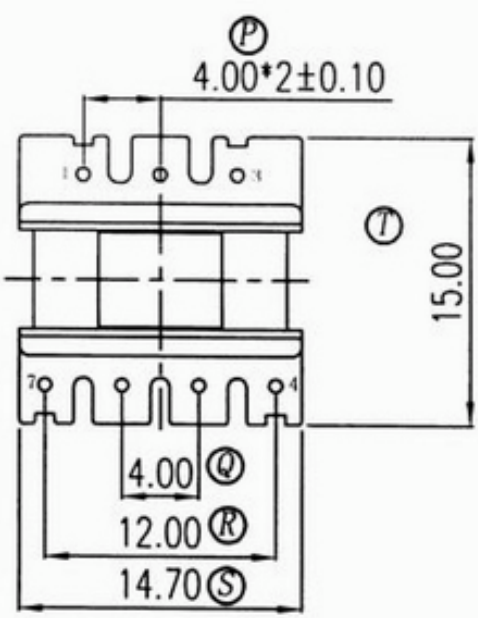
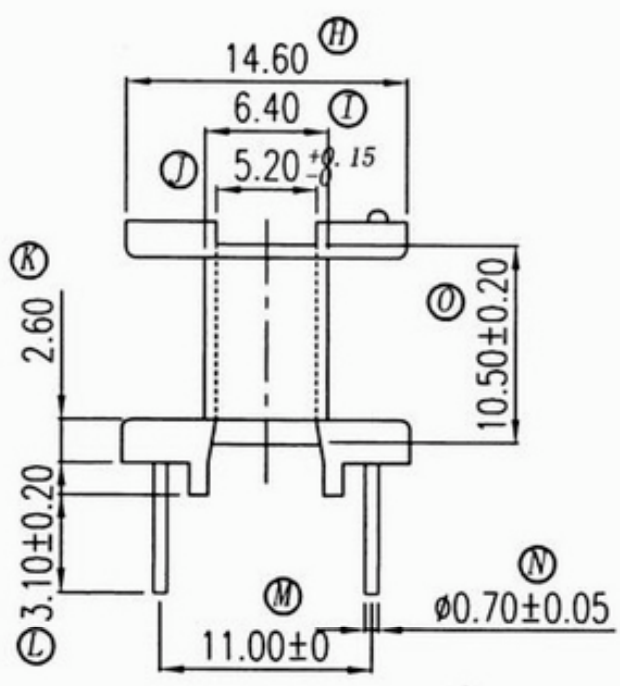
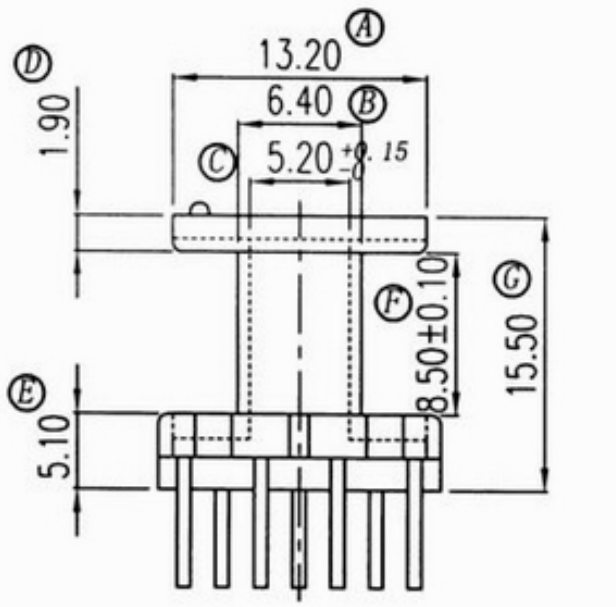


珠海厦尔电子有限公司
 SHARE ELECTRONICS CO.,LTD
 TEL: 86-756-2621642 FAX: 86-756-2622642

MODEL NAME
EI-16 10PIN

DRAWING NO.
B-1610

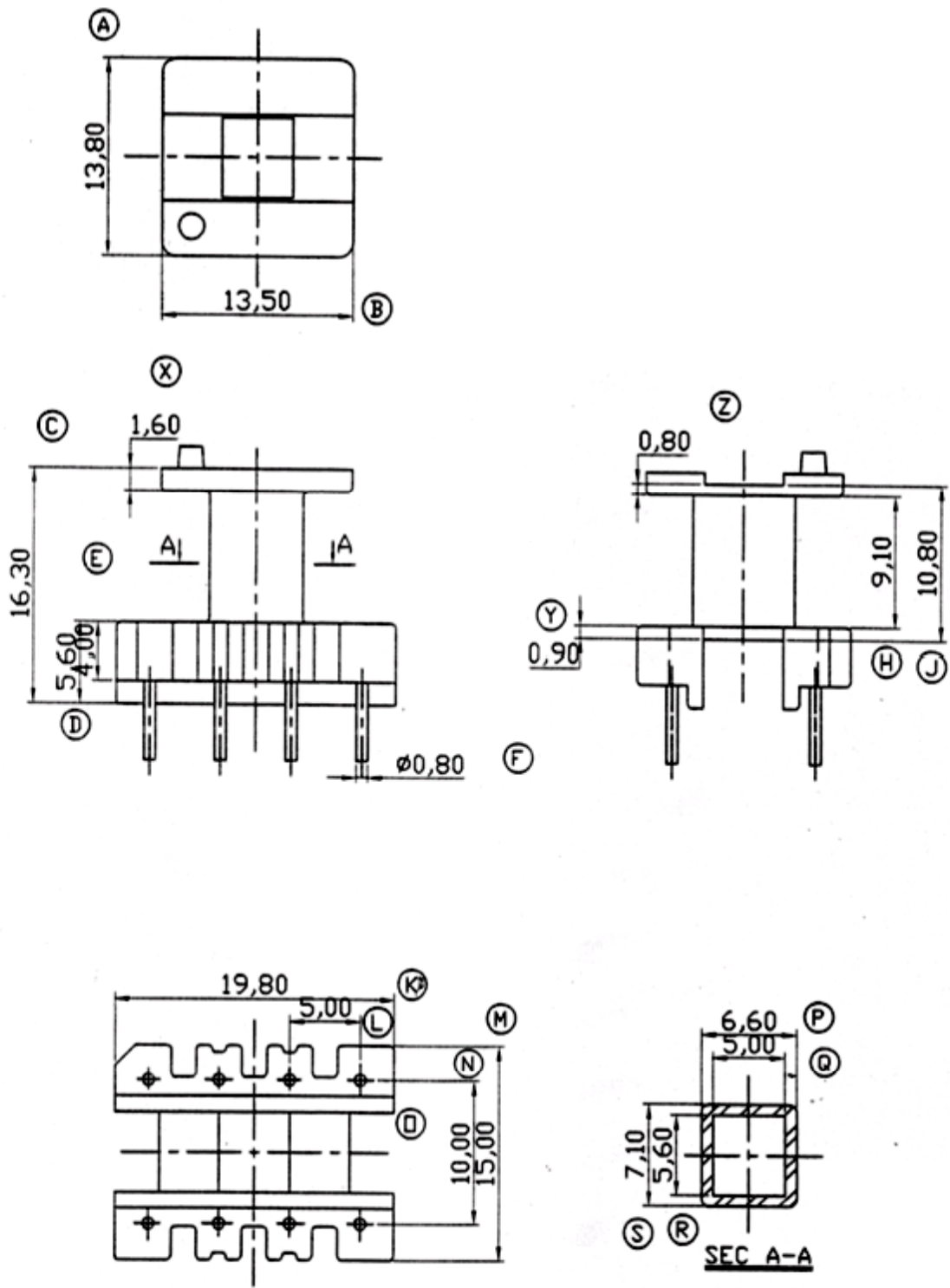
DRAFTER	AMY LEE	TOLERANCE $0 < L \leq 4$ ± 0.1 $4 < L \leq 16$ ± 0.2 $16 < L \leq 50$ ± 0.3 $50 < L$ ± 0.5	ANGLE $\pm 1^\circ$	UL REC: UL 94V-0	BOBBIN MATERIAL: PHENOLIC	
CHECKER	RICHARD		SCALE NO SCALE	PIN TENSION LOAD 1. 2KG MIN	PIN MATERIAL: CP WIRE	
APPROVER	SEAROC	PIN PITCH ± 0.2		UNIT MM	DATE: 2004-07-22	REV A1



珠海展尔电子有限公司
 SHARE ELECTRONICS CO.,LTD
 TEL: 86-756-2621642 FAX: 86-756-2622642

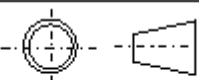
MODEL NAME:
EE19 7(4+3)PIN
 DRAWING NO.
B-1908

DRAFTER	AMY LEE	TOLERANCE		ANGLE ±1°	UL REC:	BOBBIN MATERIAL:
		0<L≤4	±0.1		UL 94V-0	PHENOLIC
CHECKER	RICHARD	4<L≤16	±0.2	SCALE: NO SCALE	PIN TENSION LOAD	PIN MATERIAL:
		16<L≤50	±0.3		1.0KG MIN	CP WIRE
APPROVER	SEAROC	50<L	±0.5		UNIT	DATE:
		PIN PITCH	±0.2		MM	2005-01-15

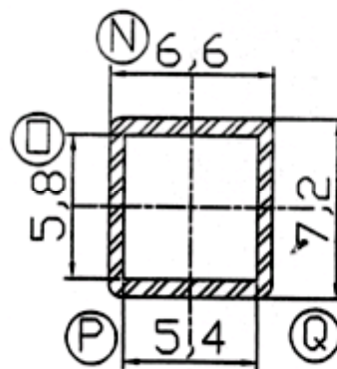
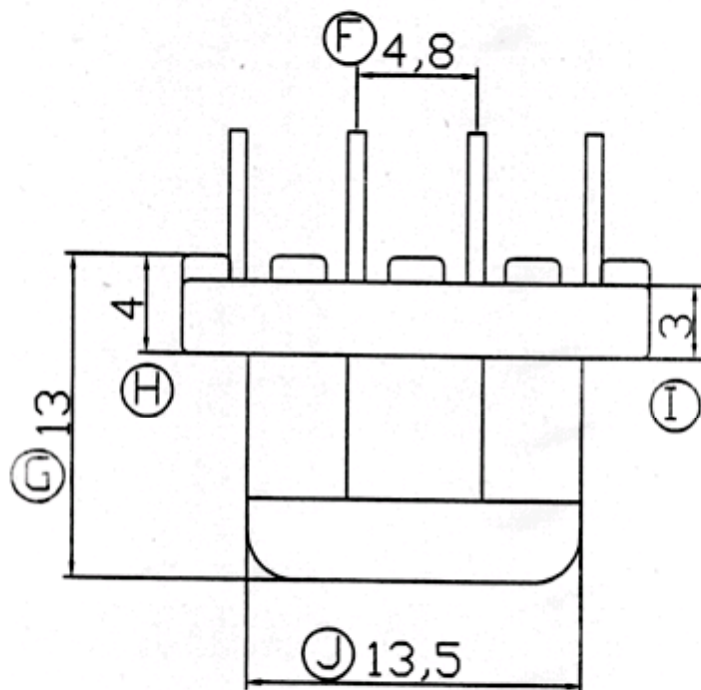
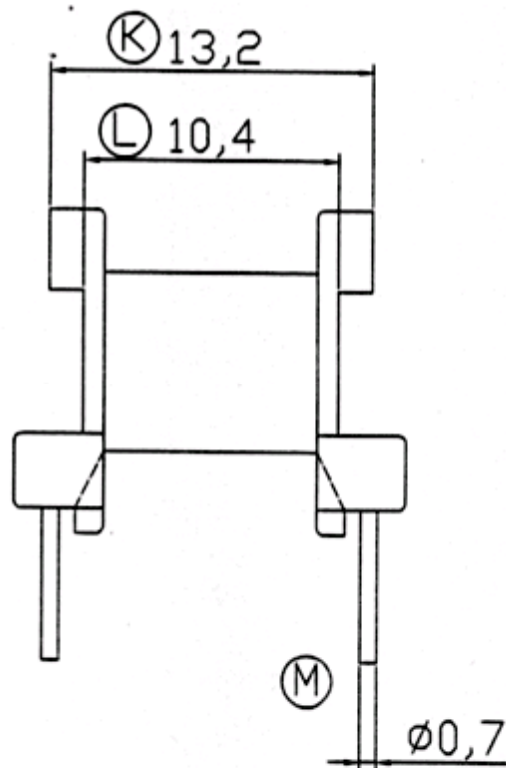
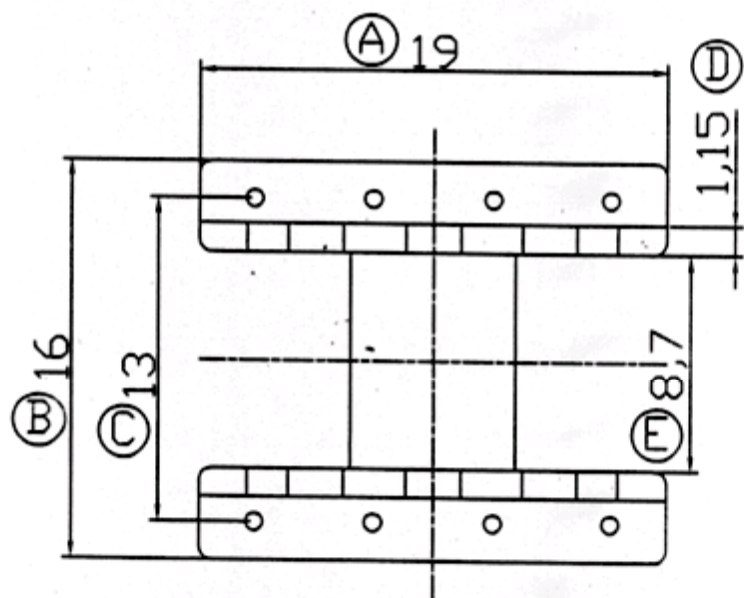


珠海厦尔电子有限公司
 SHARE ELECTRONICS CO.,LTD
 TEL: 86-756-2621642 FAX: 86-756-2622642

MODEL NAME
EE-19 8PIN
 DRAWING NO.
B-1902

DRAFTER	AMY LEE	TOLERANCE		ANGLE $\pm 1^\circ$
		$0 < L \leq 4$	± 0.1	
CHECKER	RICHARD	$4 < L \leq 16$	± 0.2	SCALE NO SCALE
		$16 < L \leq 50$	± 0.3	
APPROVER	SEAROC	$50 < L$	± 0.5	
		PIN PITCH	± 0.2	

UL REC: UL 94V-0	BOBBIN MATERIAL: PHENOLIC
PIN TENSION LOAD 1. 2KG MIN	PIN MATERIAL: CP WIRE
UNIT MM	DATE: 2004-07-22
	REV A1

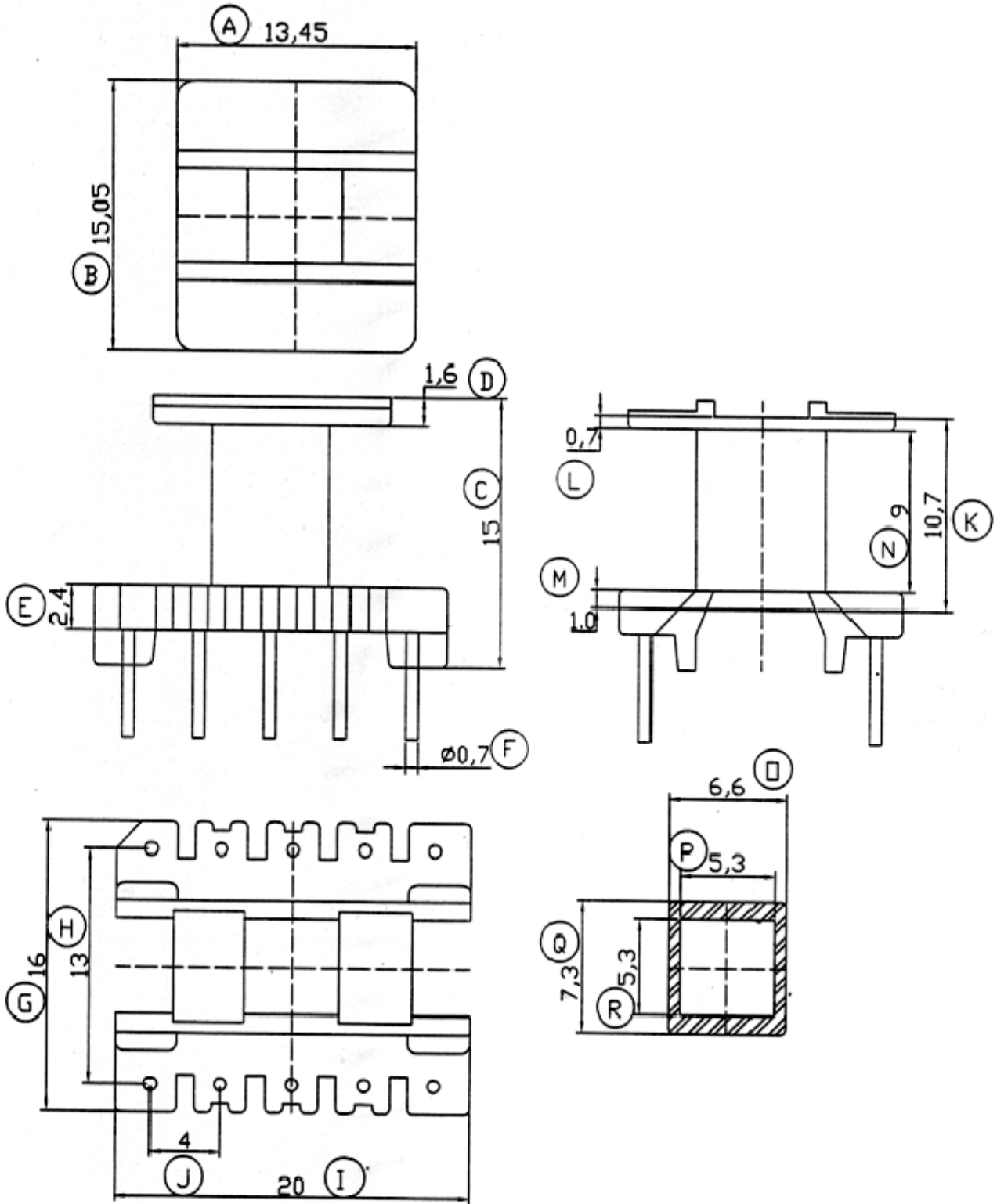


珠海厦尔电子有限公司
 SHARE ELECTRONICS CO., LTD
 TEL: 86-756-2621642 FAX: 86-756-2622642

MODEL NAME
EE-19 8PIN
 DRAWING NO.
B-1903

DRAFTER	AMY LEE	TOLERANCE		ANGLE $\pm 1^\circ$
		$0 < L \leq 4$	± 0.1	
CHECKER	RICHARD	$4 < L \leq 16$	± 0.2	SCALE NO SCALE
		$16 < L \leq 50$	± 0.3	
APPROVER	SEAROC	$50 < L$	± 0.5	
		PIN PITCH	± 0.2	

UL REC: UL 94V-0	BOBBIN MATERIAL: PHENOLIC	
PIN TENSION LOAD 1. 2KG MIN	PIN MATERIAL: CP WIRE	
UNIT MM	DATE: 2004-07-22	REV A1



珠海厦尔电子有限公司
 SHARE ELECTRONICS CO.,LTD
 TEL: 86-756-2621642 FAX: 86-756-2622642

MODEL NAME
EI-19 10PIN

DRAWING NO.
B-1904

DRAFTER	AMY LEE	TOLERANCE		ANGLE $\pm 1^\circ$
		$0 < L \leq 4$	± 0.1	
CHECKER	RICHARD	$4 < L \leq 16$	± 0.2	SCALE NO SCALE
		$16 < L \leq 50$	± 0.3	
APPROVER	SEAROC	$50 < L$	± 0.5	
		PIN PITCH	± 0.2	

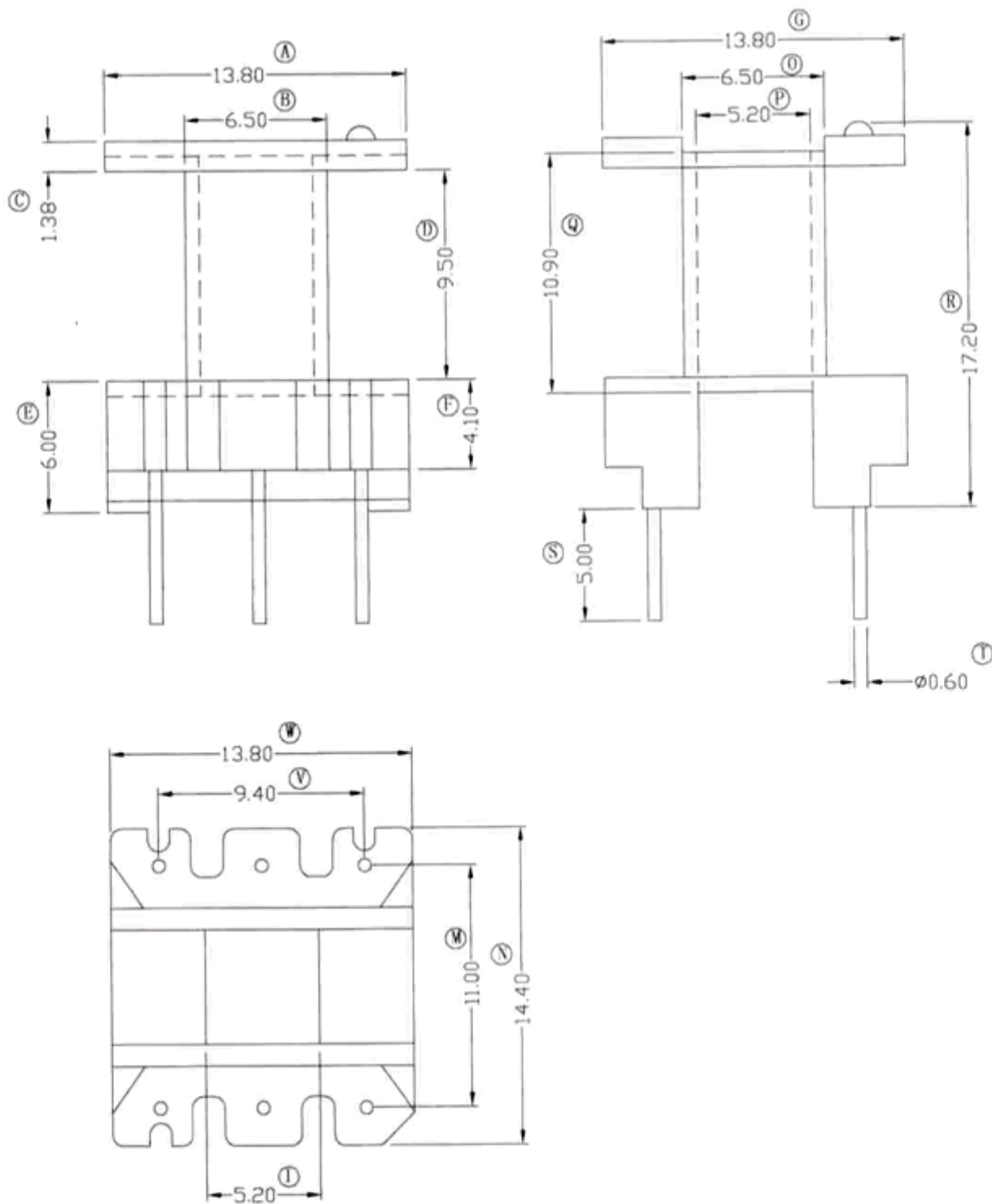
UL REC:
UL 94V-0

BOBBIN MATERIAL:
PHENOLIC

PIN TENSION LOAD
1. 2KG MIN

PIN MATERIAL:
CP WIRE

UNIT MM	DATE: 2004-07-22	REV A1
-------------------	----------------------------	------------------



珠海厦尔电子有限公司
 SHARE ELECTRONICS CO.,LTD
 TEL: 86-756-2621642 FAX: 86-756-2622642

MODEL NAME
EI-19 6PIN

DRAWING NO.
B-1901

DRAFTER	AMY LEE	TOLERANCE		ANGLE ±1°
		0 < L ≤ 4	±0.1	
CHECKER	RICHARD	4 < L ≤ 16	±0.2	SCALE NO SCALE
		16 < L ≤ 50	±0.3	
APPROVER	SEAROC	50 < L	±0.5	
		PIN PITCH	±0.2	

UL REC:
UL 94V-0

BOBBIN MATERIAL:
PHENOLIC

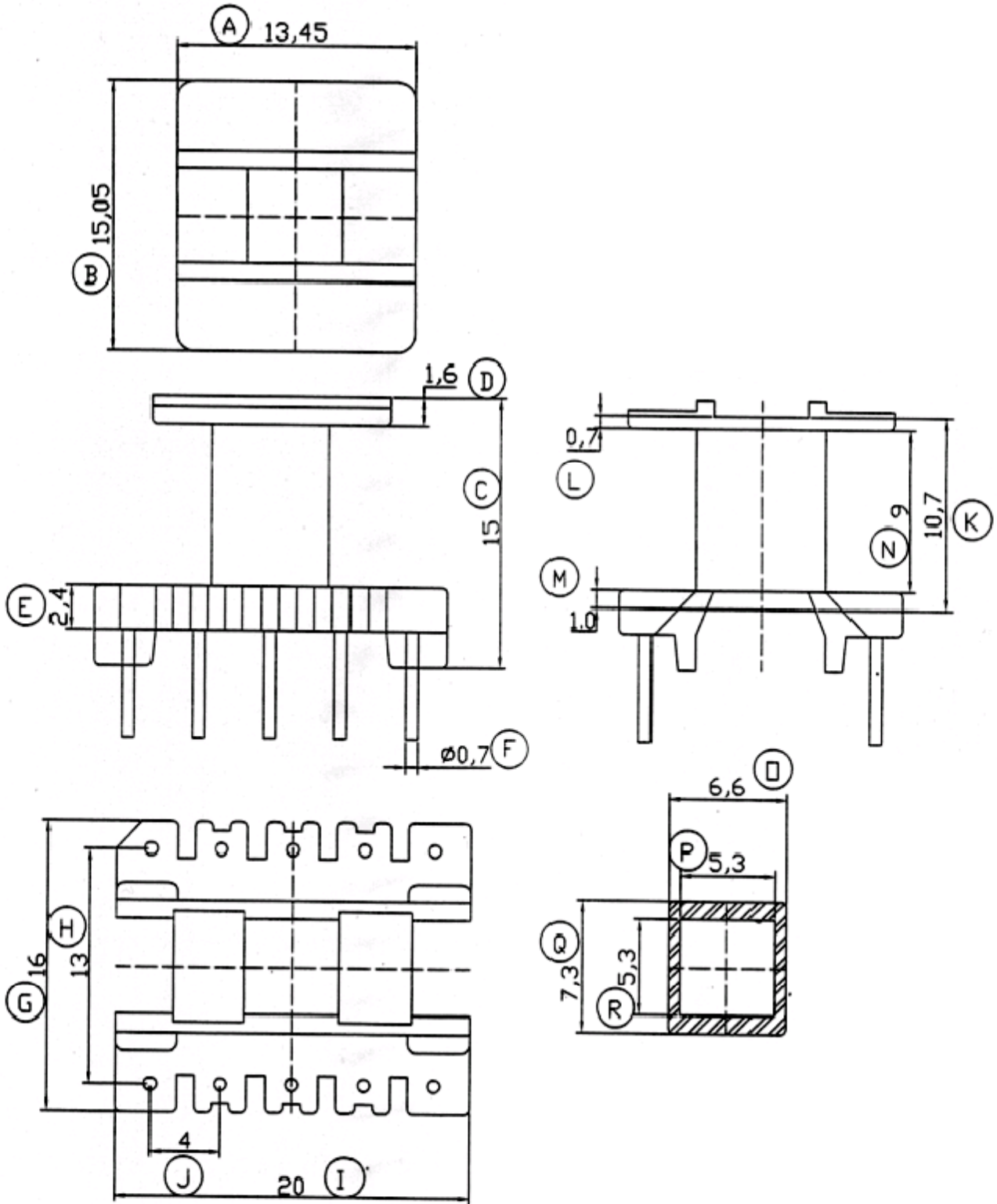
PIN TENSION LOAD
1.5KG MIN

PIN MATERIAL:
CP WIRE

UNIT
MM

DATE:
2004-07-22

REV
A1



珠海厦尔电子有限公司
 SHARE ELECTRONICS CO.,LTD
 TEL: 86-756-2621642 FAX: 86-756-2622642

MODEL NAME
EI-19 10PIN

DRAWING NO.
B-1904

DRAFTER	AMY LEE	TOLERANCE		ANGLE $\pm 1^\circ$
		$0 < L \leq 4$	± 0.1	
CHECKER	RICHARD	$4 < L \leq 16$	± 0.2	SCALE NO SCALE
		$16 < L \leq 50$	± 0.3	
APPROVER	SEAROC	$50 < L$	± 0.5	
		PIN PITCH	± 0.2	

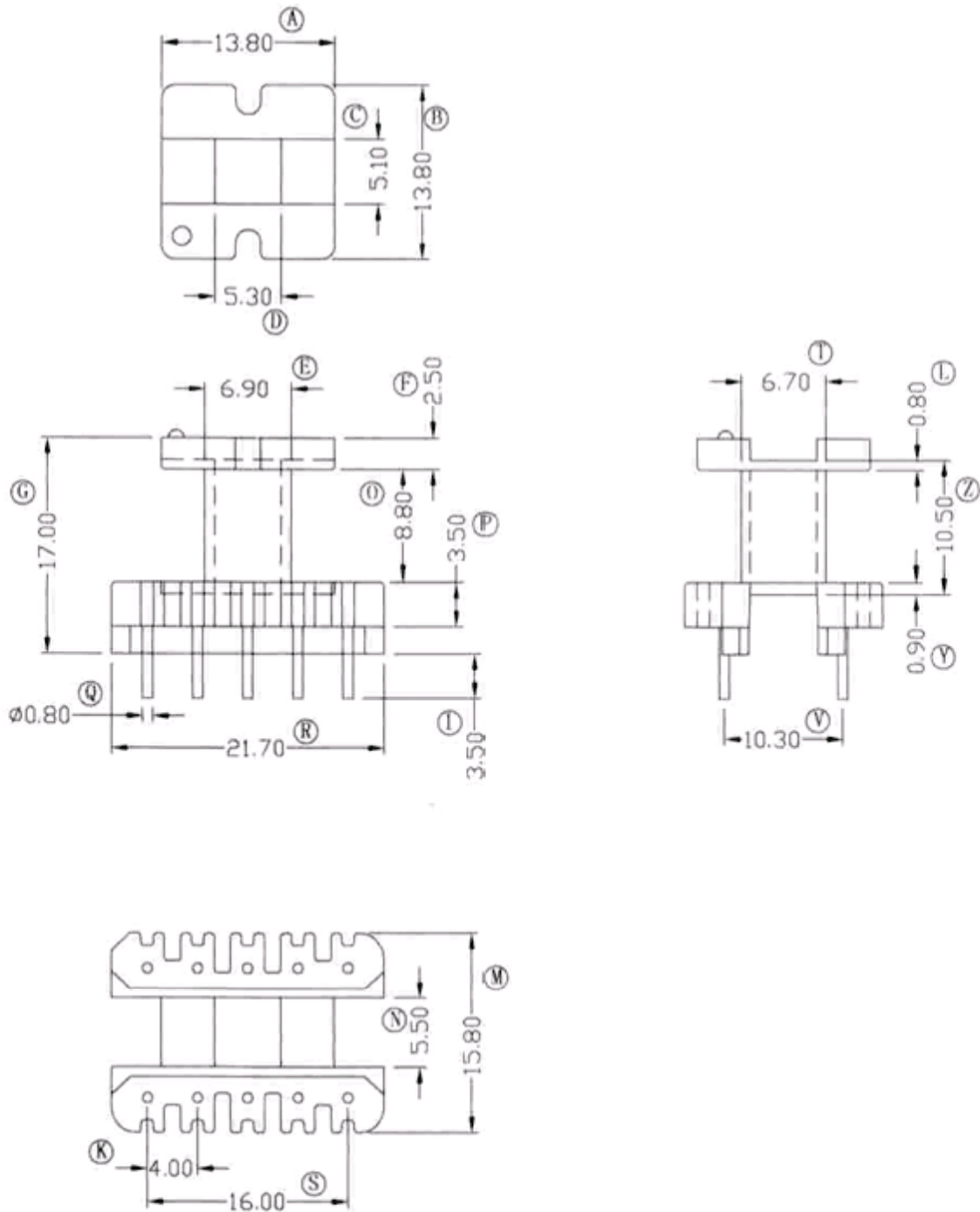
UL REC:
UL 94V-0

BOBBIN MATERIAL:
PHENOLIC

PIN TENSION LOAD
1. 2KG MIN

PIN MATERIAL:
CP WIRE

UNIT MM	DATE: 2004-07-22	REV A1
-------------------	----------------------------	------------------

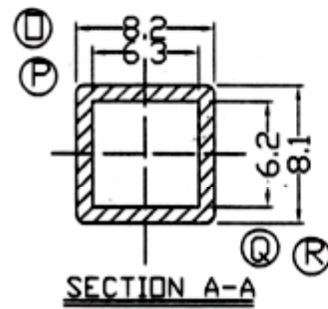
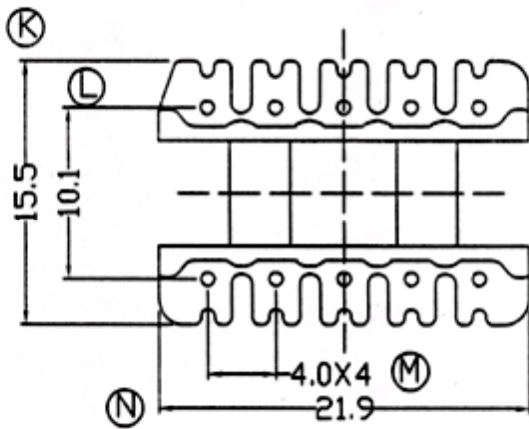
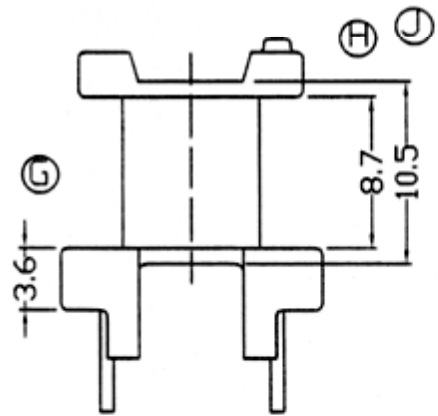
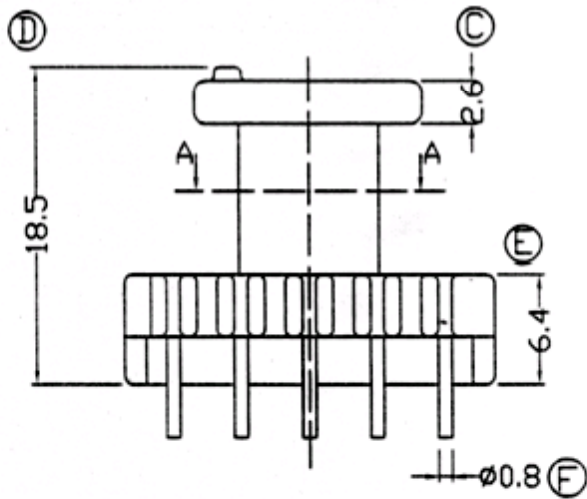
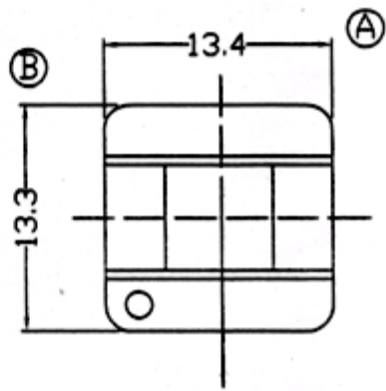


珠海厦尔电子有限公司
 SHARE ELECTRONICS CO.,LTD
 TEL: 86-756-2621642 FAX: 86-756-2622642

MODEL NAME
EI-19 10PIN

DRAWING NO.
B-1905

DRAFTER	AMY LEE	TOLERANCE		ANGLE ±1°	UL REC:	BOBBIN MATERIAL:	
		0 < L ≤ 4	±0.1		UL 94V-0	PHENOLIC	
CHECKER	RICHARD	4 < L ≤ 16	±0.2	SCALE NO SCALE	PIN TENSION LOAD	PIN MATERIAL:	
		16 < L ≤ 50	±0.3		1.5KG MIN	CP WIRE	
APPROVER	SEAROC	50 < L	±0.5		UNIT	DATE:	REV
		PIN PITCH	±0.2		MM	2004-07-22	A1



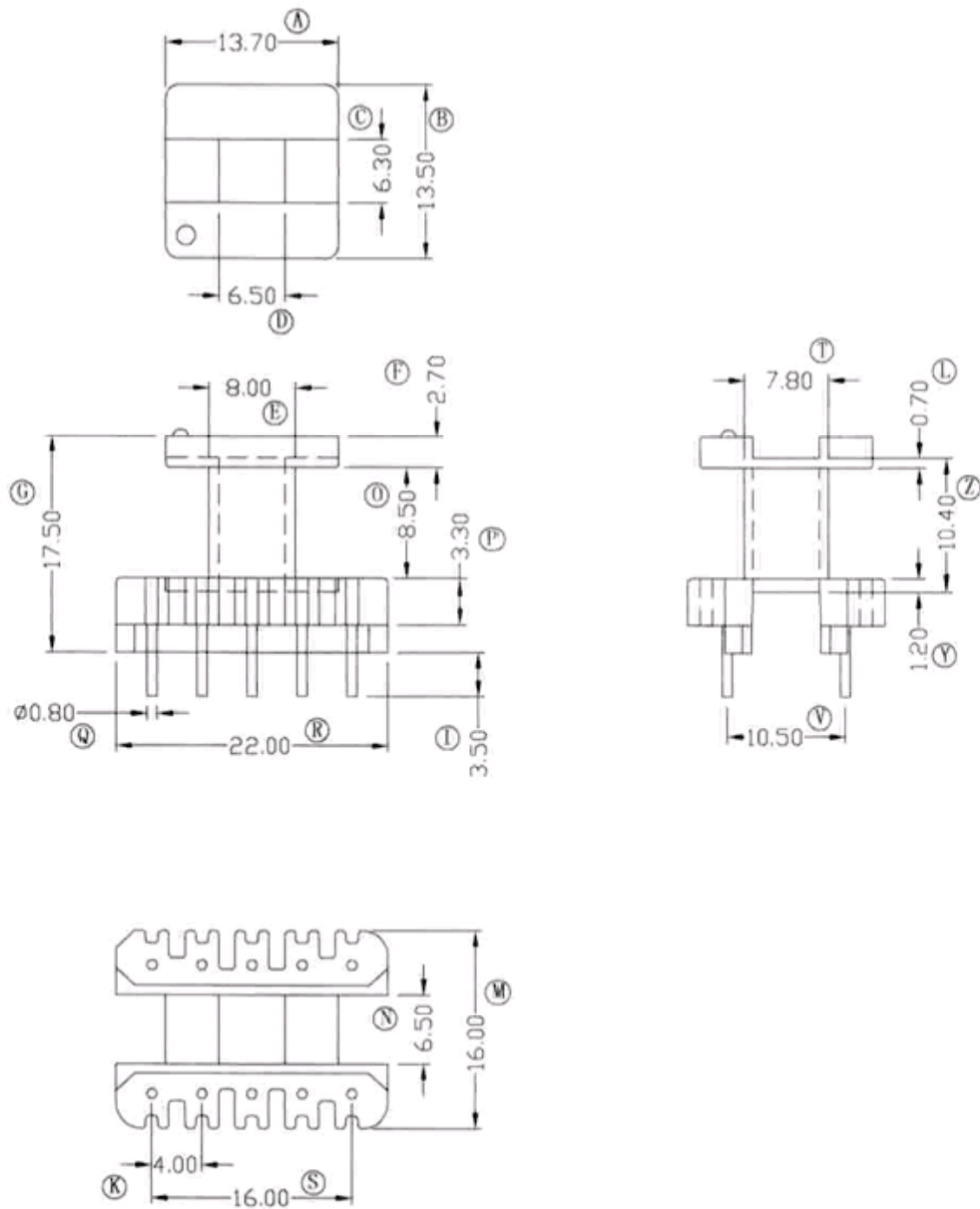
珠海厦尔电子有限公司
 SHARE ELECTRONICS CO.,LTD
 TEL: 86-756-2621642 FAX: 86-756-2622642

MODEL NAME
EI-22 (10PIN)

DRAWING NO.
B-2202

DRAFTER	AMY LEE	TOLERANCE		ANGLE ±1°
		0 < L ≤ 4	±0.1	
CHECKER	RICHARD	4 < L ≤ 16	±0.2	SCALE NO SCALE
		16 < L ≤ 50	±0.3	
APPROVER	SEAROC	50 < L	±0.5	
		PIN PITCH	±0.2	

UL REC: UL 94V-0	BOBBIN MATERIAL: PHENOLIC	
PIN TENSION LOAD 1. 2KG MIN	PIN MATERIAL: CP WIRE	
UNIT MM	DATE: 2004-07-22	REV A1



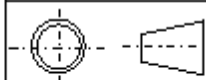
珠海厦尔电子有限公司
 SHARE ELECTRONICS CO.,LTD
 TEL: 86-756-2621642 FAX: 86-756-2622642

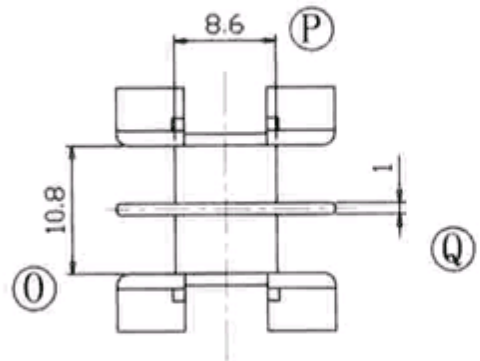
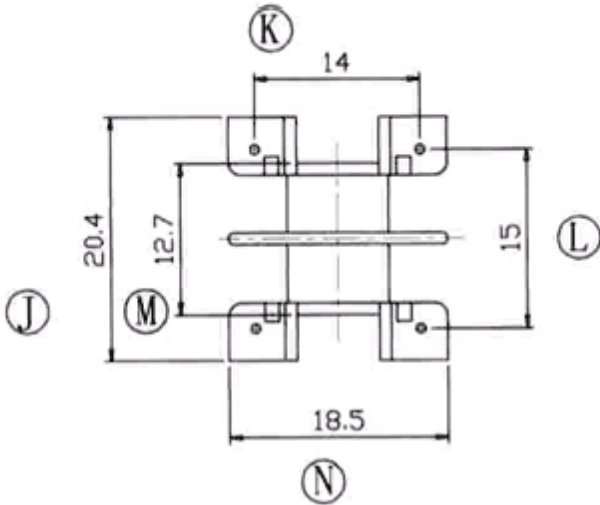
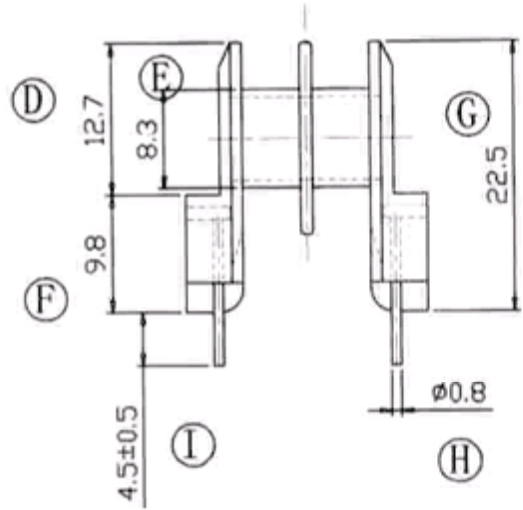
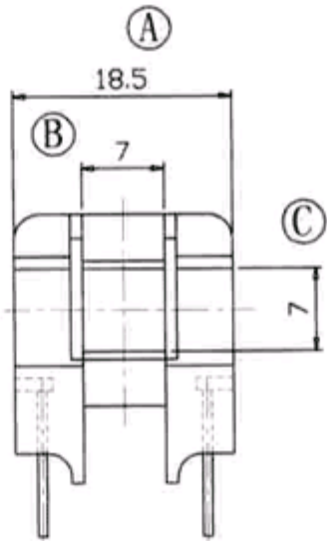
MODEL NAME
EI-22 10PIN

DRAWING NO.
B-2202

DRAFTER	AMY LEE	TOLERANCE	ANGLE
CHECKER	RICHARD	0 < L ≤ 4 ±0.1	±1°
APPROVER	SEAROC	4 < L ≤ 16 ±0.2	SCALE
		16 < L ≤ 50 ±0.3	NO SCALE
		50 < L ±0.5	
		PIN PITCH ±0.2	

UL REC:	BOBBIN MATERIAL:	
UL 94V-0	PHENOLIC	
PIN TENSION LOAD	PIN MATERIAL:	
1.5KG MIN	PHOSPHSR BRONZE	
UNIT	DATE:	REV
MM	2004-07-22	A1



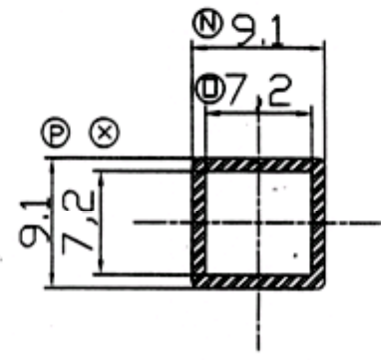
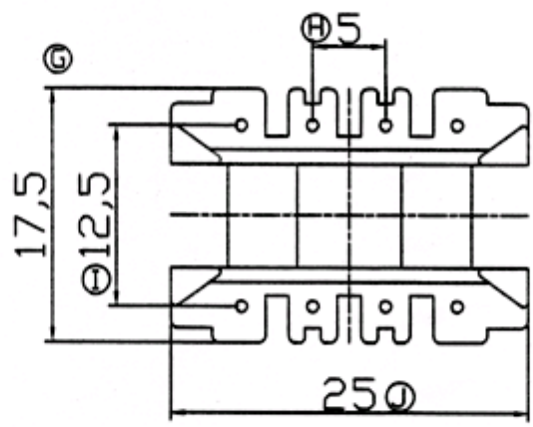
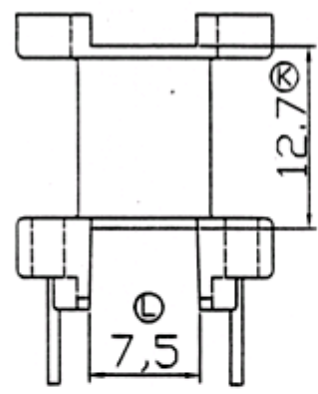
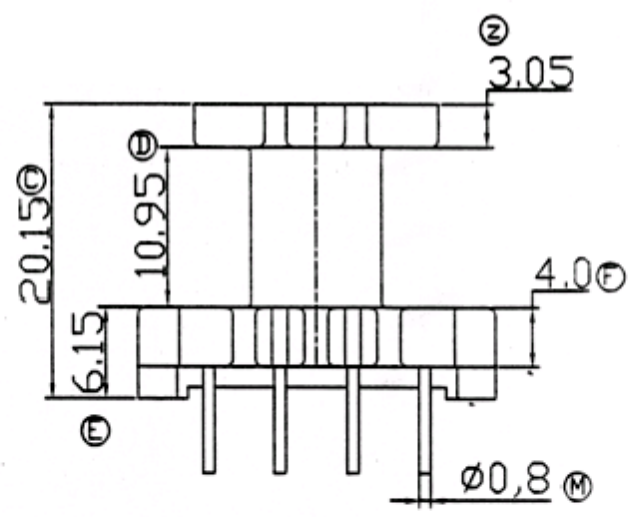
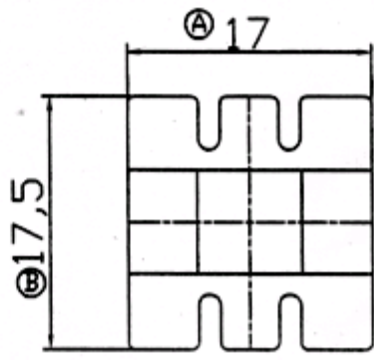


珠海厦尔电子有限公司
 SHARE ELECTRONICS CO.,LTD
 TEL: 86-756-2621642 FAX: 86-756-2622642

MODEL NAME
EE-25 4PIN

DRAWING NO.
SL-BN-2501

DRAFTER	AMY LEE	TOLERANCE		ANGLE ±1°	UL REC:	BOBBIN MATERIAL:	
		0 < L ≤ 4	±0.1		UL 94V-0	PBT	
CHECKER	RICHARD	4 < L ≤ 16	±0.2	SCALE NO SCALE	PIN TENSION LOAD	PIN MATERIAL:	
		16 < L ≤ 50	±0.3		1.5KG MIN	PHOSPHSR BRONZE	
APPROVER	SEAROC	50 < L	±0.5		UNIT	DATE:	REV
		PIN PITCH	±0.2		MM	2004-07-22	A1

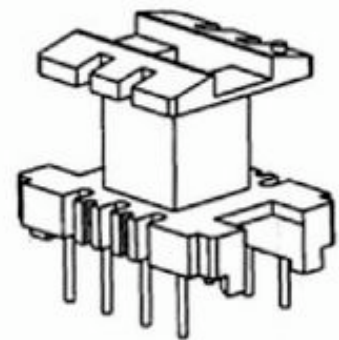
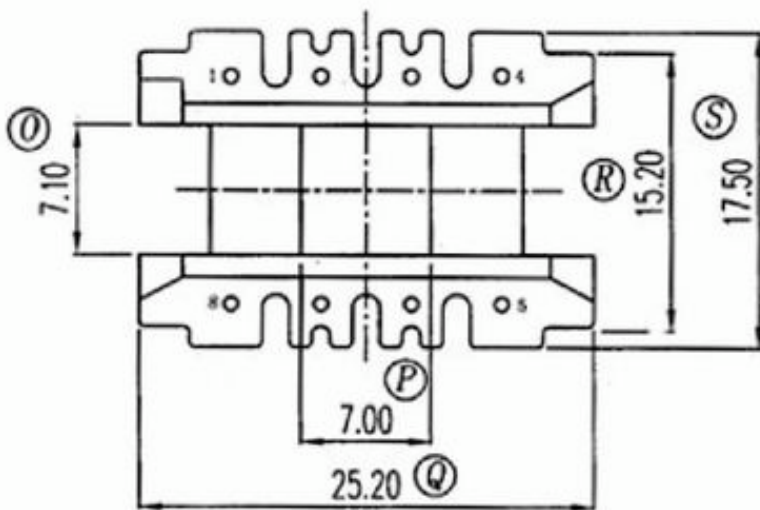
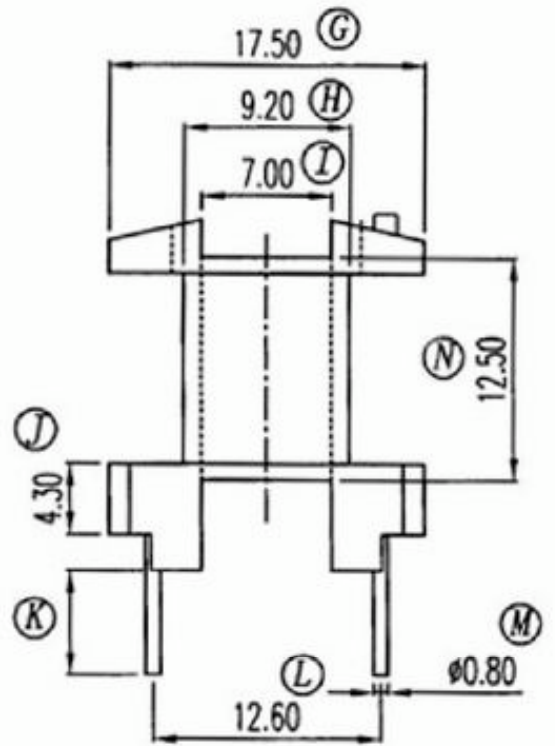
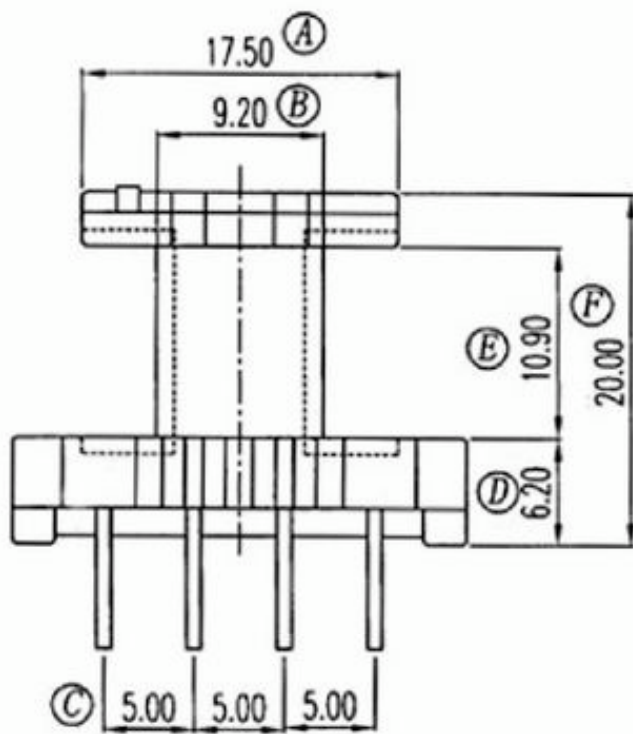


珠海厦尔电子有限公司
 SHARE ELECTRONICS CO.,LTD
 TEL: 86-756-2621642 FAX: 86-756-2622642

MODEL NAME
EI-25 (8PIN)
 DRAWING NO.
B-2504

DRAFTER	AMY LEE	TOLERANCE		ANGLE ±1°
		0 < L ≤ 4	±0.1	
CHECKER	RICHARD	4 < L ≤ 16	±0.2	SCALE NO SCALE
		16 < L ≤ 50	±0.3	
APPROVER	SEAROC	50 < L	±0.5	
		PIN PITCH	±0.2	

UL REC: UL 94V-0	BOBBIN MATERIAL: PHENOLIC	
PIN TENSION LOAD 1. 2KG MIN	PIN MATERIAL: CP WIRE	
UNIT MM	DATE: 2004-07-22	REV A1



珠海厦尔电子有限公司
SHARE ELECTRONICS CO.,LTD
TEL: 86-756-2621642 FAX: 86-756-2622642

MODEL NAME:
EI-25 8PIN

DRAWING NO.
B-2503

DRAFTER	AMY LEE	TOLERANCE		ANGLE $\pm 1^\circ$
		0<L≤4	±0.1	
CHECKER	RICHARD	4<L≤16	±0.2	SCALE: NO SCALE
		16<L≤50	±0.3	
APPROVER	SEAROC	50<L	±0.5	UNIT MM
		PIN PITCH	±0.2	

UL REC:
UL 94V-0

BOBBIN MATERIAL:
PHENOLIC

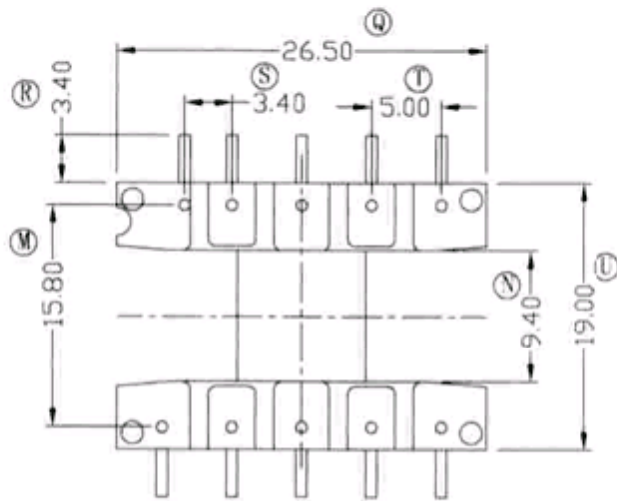
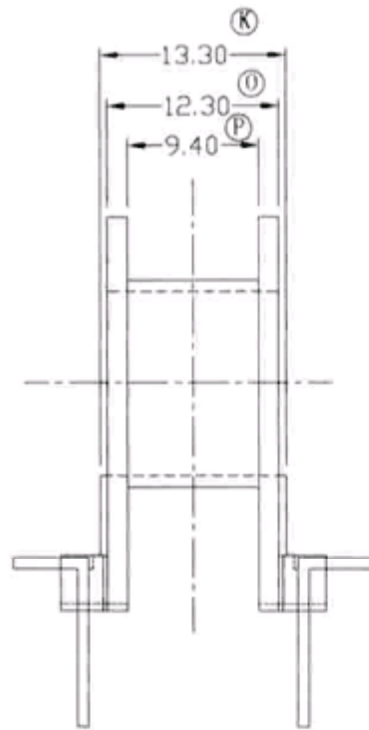
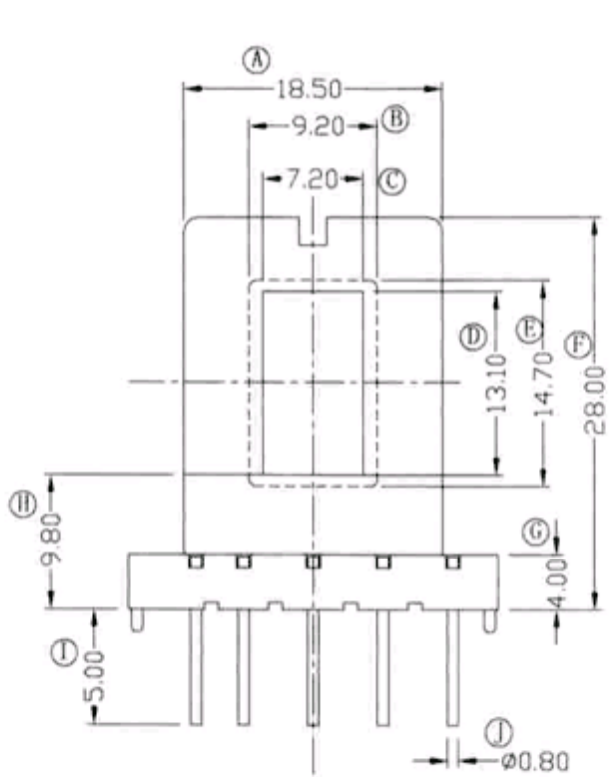
PIN TENSION LOAD
1. 2KG MIN

PIN MATERIAL:
CP WIRE



DATE:
2005-01-10

REV
A2



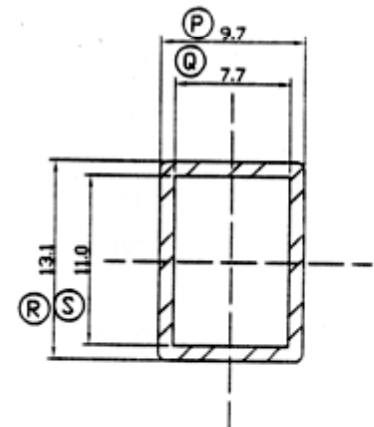
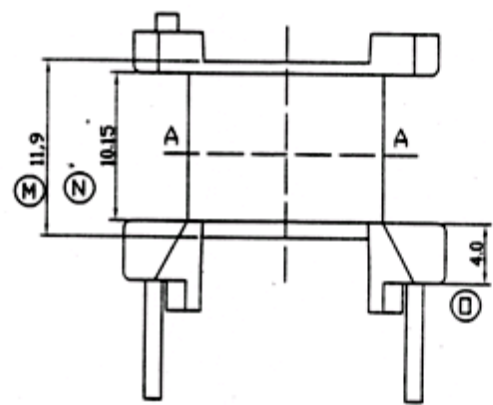
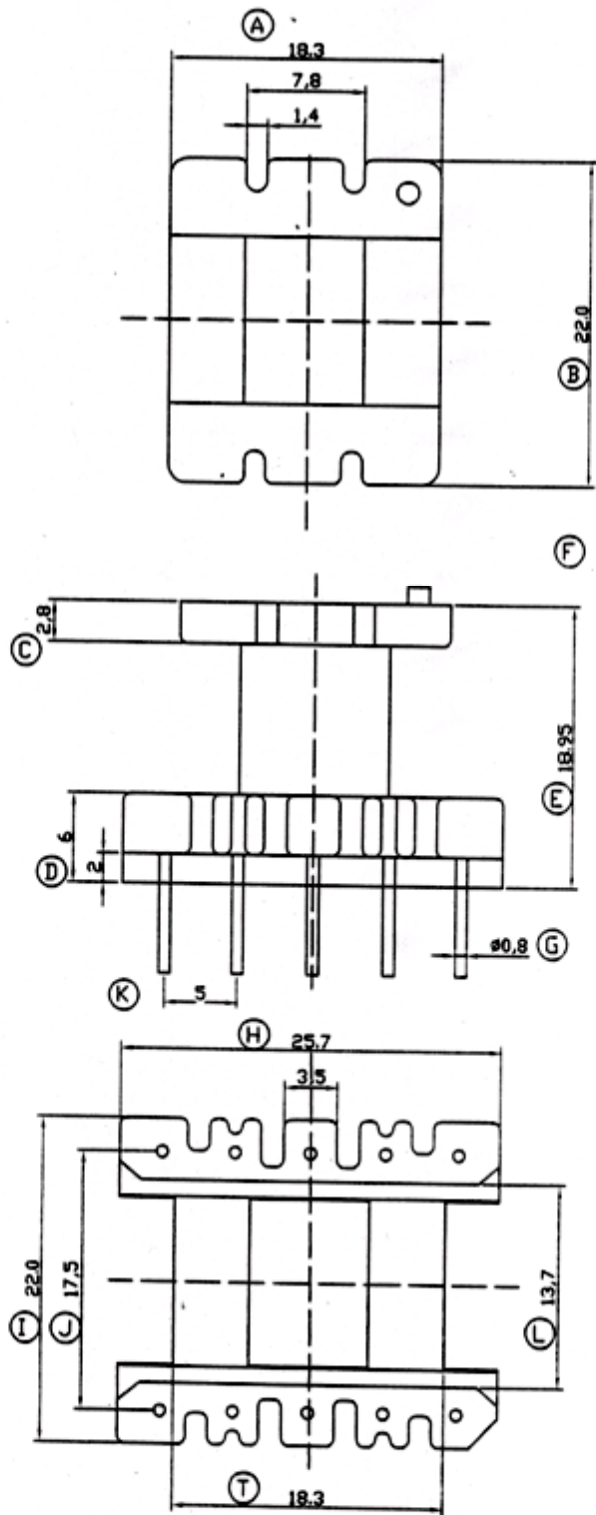
珠海厦尔电子有限公司
 SHARE ELECTRONICS CO.,LTD
 TEL: 86-756-2621642 FAX: 86-756-2622642

MODEL NAME
EE-25 10PIN

DRAWING NO.
B-2502

DRAFTER	AMY LEE	TOLERANCE		ANGLE ±1°
		0 < L ≤ 4	±0.1	
CHECKER	RICHARD	4 < L ≤ 16	±0.2	SCALE NO SCALE
		16 < L ≤ 50	±0.3	
APPROVER	SEAROC	50 < L	±0.5	
		PIN PITCH	±0.2	

UL REC: UL 94V-0	BOBBIN MATERIAL: PBT	
PIN TENSION LOAD 1.5KG MIN	PIN MATERIAL: PHOSPHSR BRONZE	
UNIT MM	DATE: 2004-07-22	REV A1



A-A SECTION

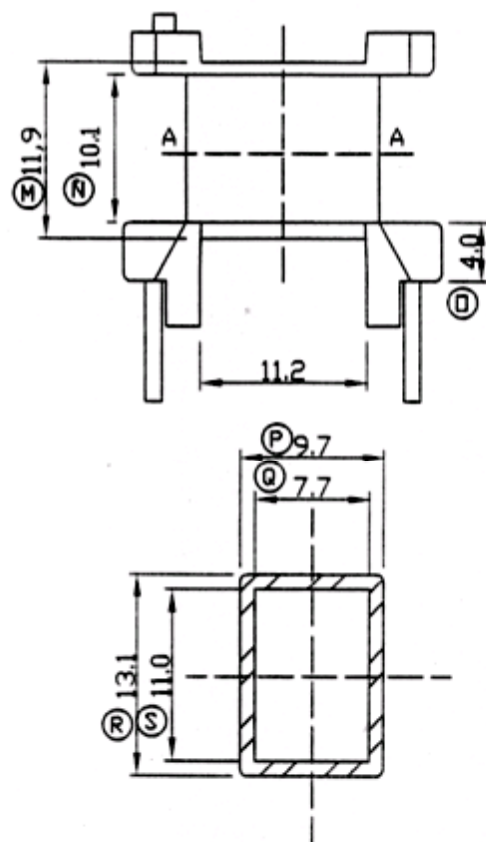
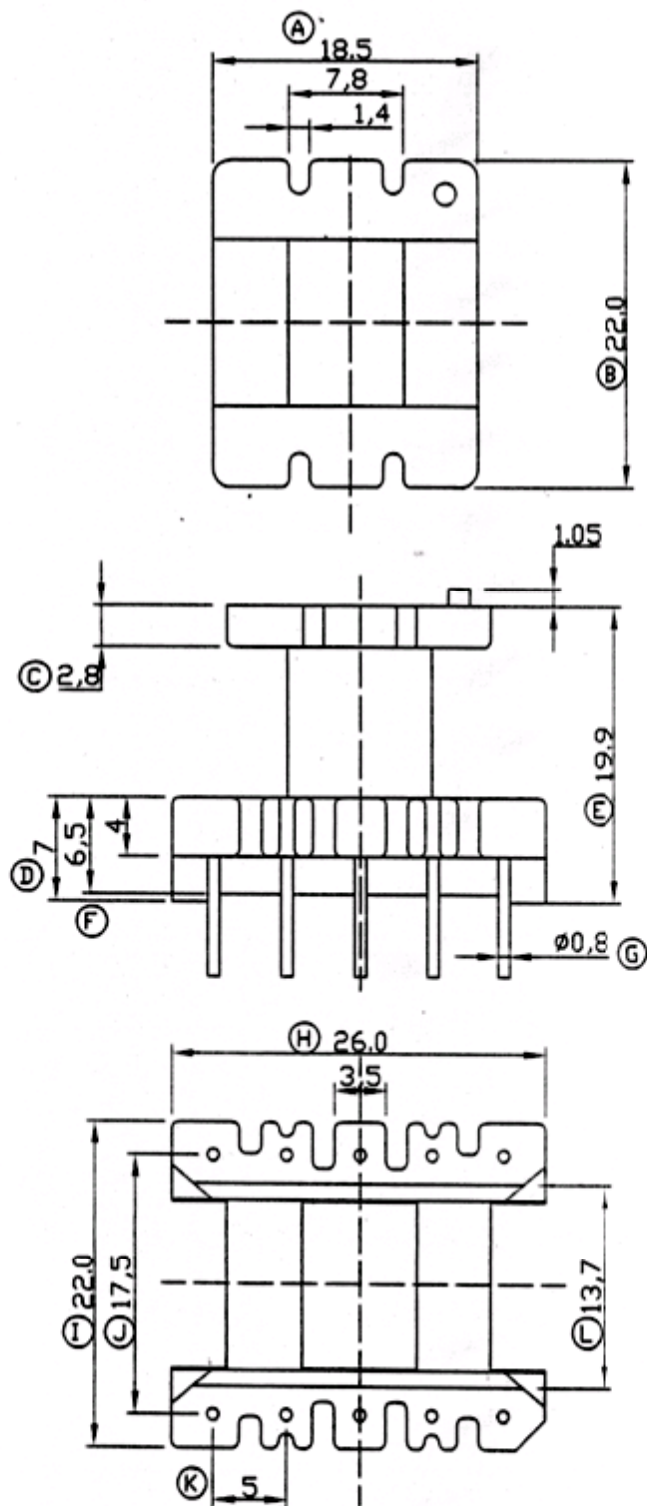


珠海厦尔电子有限公司
 SHARE ELECTRONICS CO., LTD
 TEL: 86-756-2621642 FAX: 86-756-2622642

MODEL NAME
EI-28 10PIN
 DRAWING NO.
B-2801

DRAFTER	AMY LEE	TOLERANCE		ANGLE ±°
		0 < L ≤ 4	±0.1	
CHECKER	RICHARD	4 < L ≤ 16	±0.2	SCALE NO SCALE
		16 < L ≤ 50	±0.3	
APPROVER	SEAROC	50 < L	±0.5	
		PIN PITCH	±0.2	

UL REC: UL 94V-0	BOBBIN MATERIAL: PHENOLIC
PIN TENSION LOAD 1. 2KG MIN	PIN MATERIAL: CP WIRE
UNIT MM	DATE: 2004-07-22
	REV A1



A-A SECTION



珠海厦尔电子有限公司
 SHARE ELECTRONICS CO.,LTD
 TEL: 86-756-2621642 FAX: 86-756-2622642

MODEL NAME
EI-28 10PIN

DRAWING NO.
B-2802

DRAFTER	AMY LEE	TOLERANCE		ANGLE $\pm 1^\circ$
		$0 < L \leq 4$	± 0.1	
CHECKER	RICHARD	$4 < L \leq 16$	± 0.2	SCALE NO SCALE
		$16 < L \leq 50$	± 0.3	
APPROVER	SEAROC	$50 < L$	± 0.5	
		PIN PITCH	± 0.2	

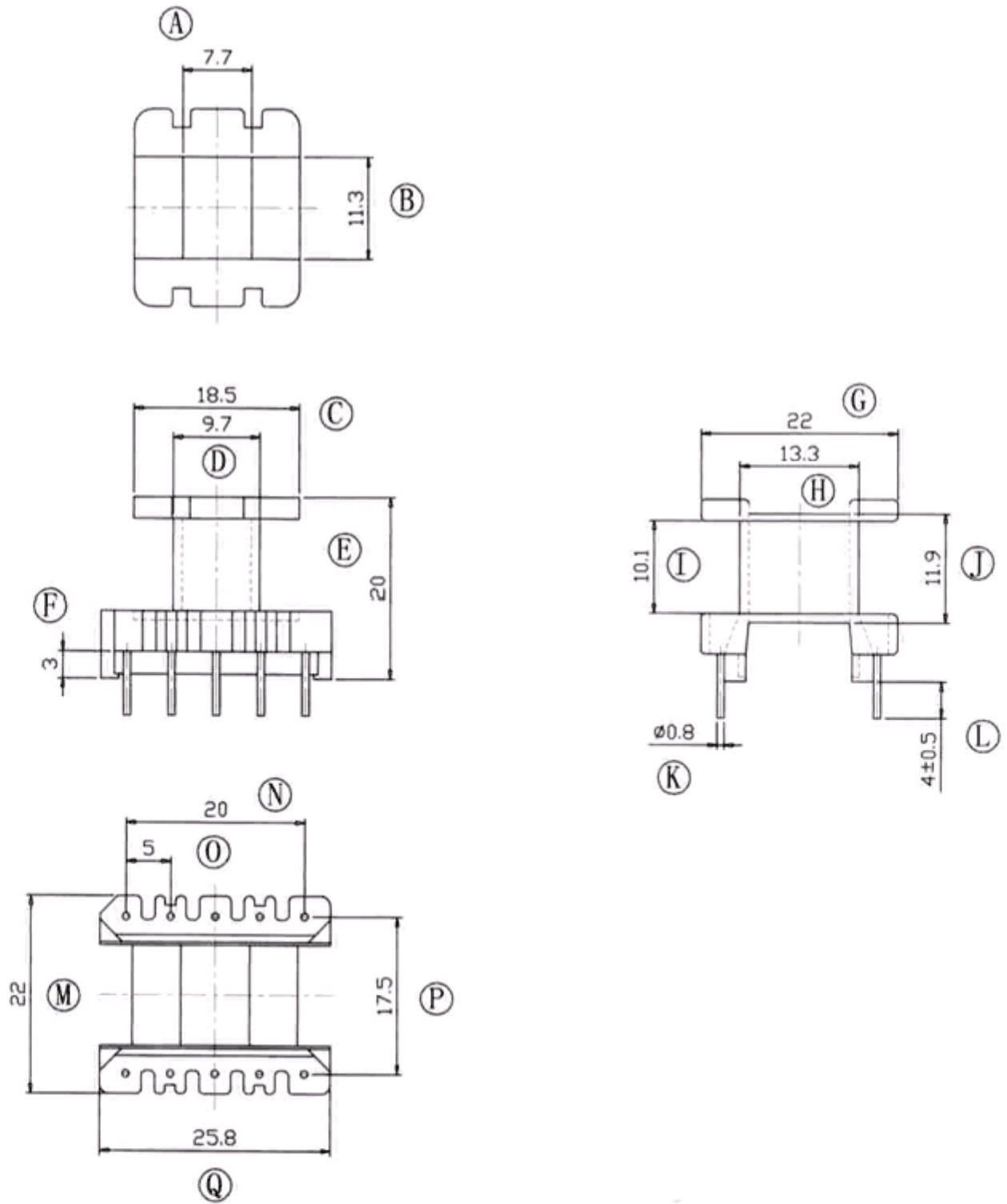
UL REC:
UL 94V-0

BOBBIN MATERIAL:
PHENOLIC

PIN TENSION LOAD
1. 2KG MIN

PIN MATERIAL:
CP WIRE

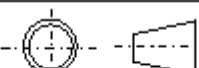
UNIT MM	DATE: 2004-07-22	REV A1
-------------------	----------------------------	------------------

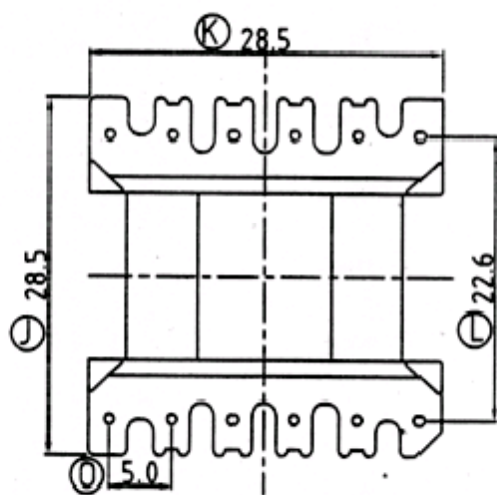
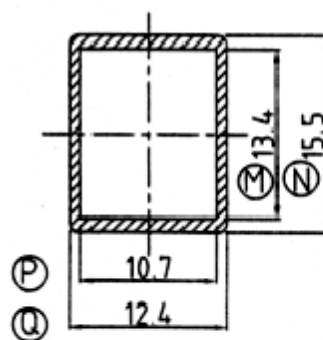
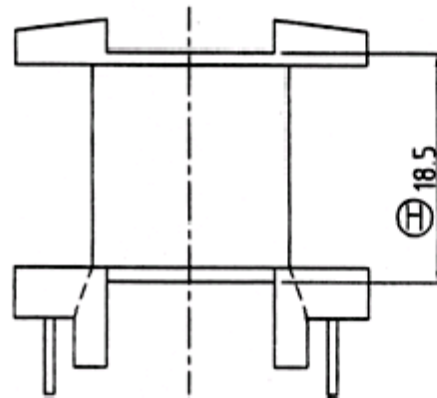
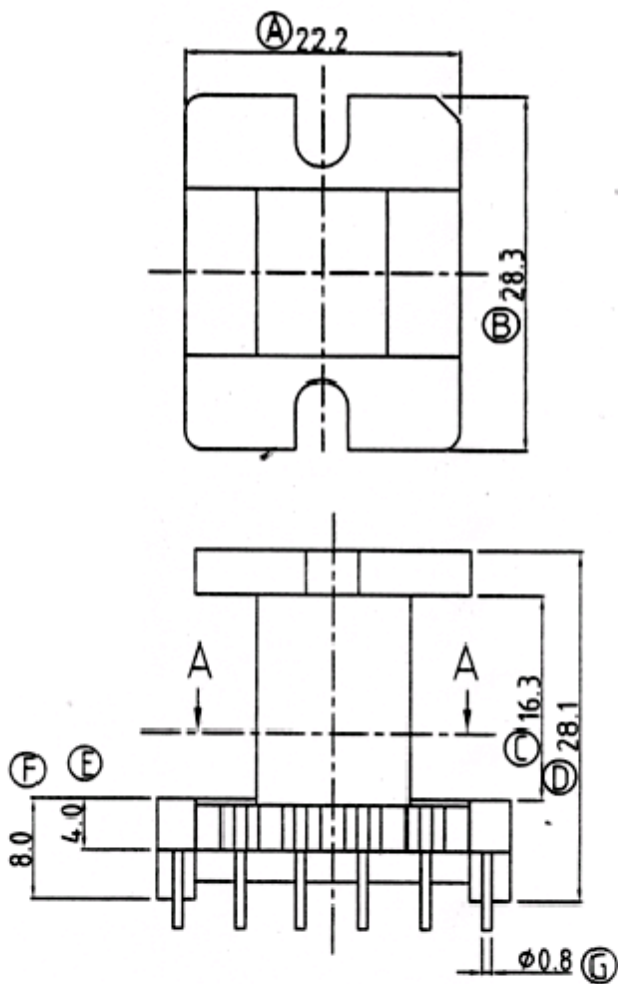


珠海厦尔电子有限公司
 SHARE ELECTRONICS CO.,LTD
 TEL: 86-756-2621642 FAX: 86-756-2622642

MODEL NAME
EI-28 10PIN

DRAWING NO.
B-2803

DRAFTER	AMY LEE	TOLERANCE		ANGLE $\pm 1^\circ$	UL REC:	BOBBIN MATERIAL:	
		$0 < L \leq 4$	± 0.1		UL 94V-0	PHENOLIC	
CHECKER	RICHARD	$4 < L \leq 16$	± 0.2	SCALE NO SCALE	PIN TENSION LOAD	PIN MATERIAL:	
		$16 < L \leq 50$	± 0.3		1.5KG MIN	PHOSPHSR BRONZE	
APPROVER	SEAROC	$50 < L$	± 0.5		UNIT	DATE:	REV
		PIN PITCH	± 0.2		MM	2004-07-22	A1



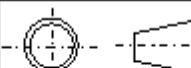
A-A SECTION



珠海厦尔电子有限公司
SHARE ELECTRONICS CO.,LTD
TEL: 86-756-2621642 FAX: 86-756-2622642

MODEL NAME
EI-33 12PIN

DRAWING NO.
B-3301

DRAFTER	AMY LEE	TOLERANCE		ANGLE ±1°
		0 < L ≤ 4	±0.1	
CHECKER	RICHARD	4 < L ≤ 16	±0.2	SCALE NO SCALE
		16 < L ≤ 50	±0.3	
APPROVER	SEAROC	50 < L	±0.5	
		PIN PITCH	±0.2	

UL REC:
UL 94V-0

BOBBIN MATERIAL:
PHENOLIC

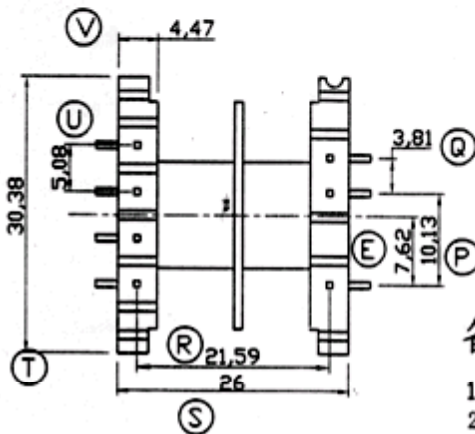
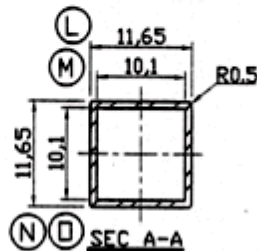
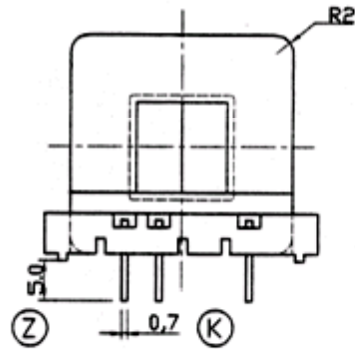
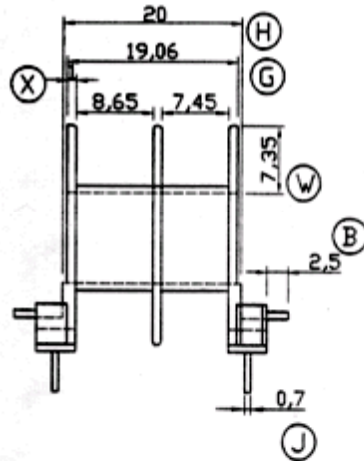
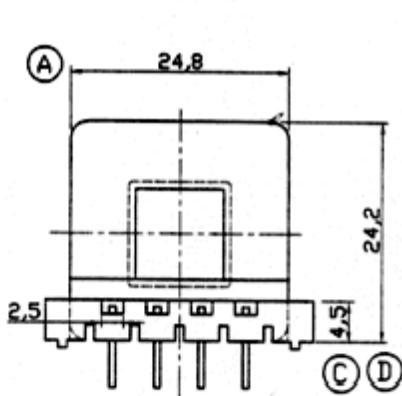
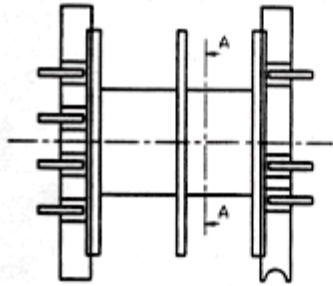
PIN TENSION LOAD
1. 2KG MIN

PIN MATERIAL:
CP WIRE

UNIT
MM

DATE:
2004-07-22

REV
A1



备注:

1. 材质: NL66+30% 须符合UL 94V-0
2. 颜色: 本色
3. 铁芯类型: BFEI-3500.
4. 脚材质: CP线 方线0.7x0.7mm
5. 除有特别要直角者, 所有面与面相接及未标示R角者须有0.3R.
6. 平整度须在0.1mm以内.
7. 毛边及错位不超过0.05mm.
8. 不准有少料, 毛边, 裂痕, 错位, 破损.



珠海厦尔电子有限公司
SHARE ELECTRONICS CO.,LTD
TEL: 86-756-2621642 FAX: 86-756-2622642

MODEL NAME

EE-35 7PIN

DRAWING NO.

B-3501

DRAFTER

AMY LEE

TOLERANCE

0 < L ≤ 4 ±0.1

ANGLE

±1°

UL REC:

UL 94V-0

BOBBIN MATERIAL:

NL66+30%

CHECKER

RICHARD

4 < L ≤ 16 ±0.2

SCALE

NO SCALE

PIN TENSION LOAD

1. 2KG MIN

PIN MATERIAL:

CP WIRE

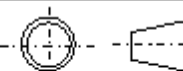
APPROVER

SEAROC

16 < L ≤ 50 ±0.3

50 < L ±0.5

PIN PITCH ±0.2



UNIT

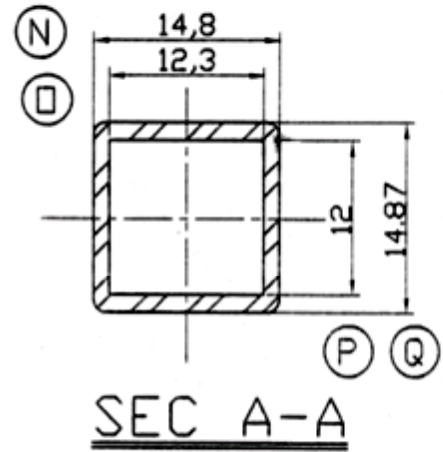
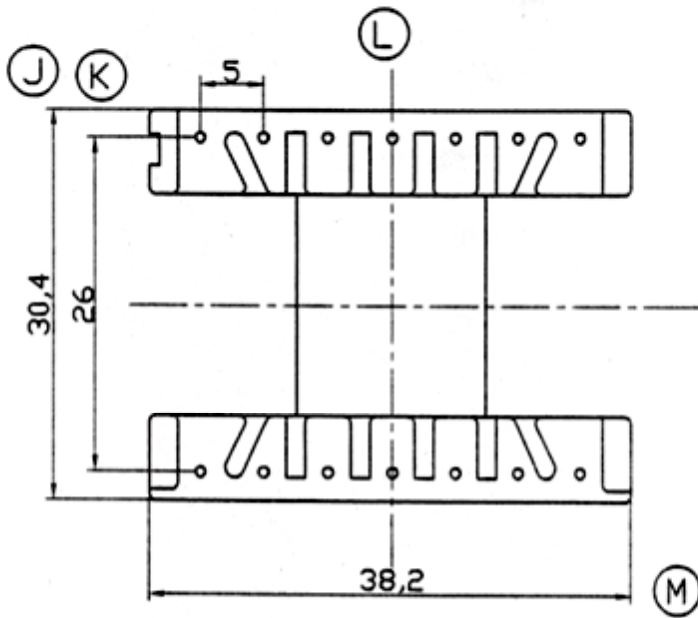
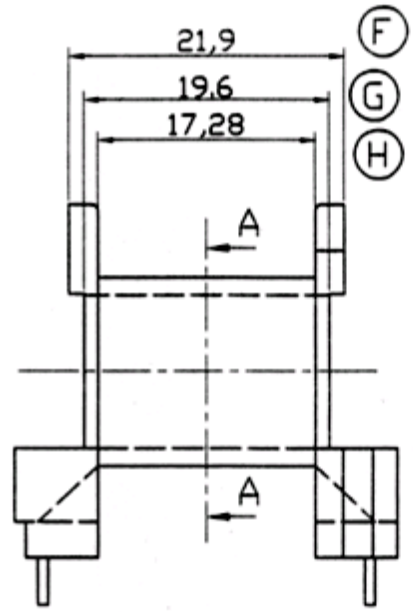
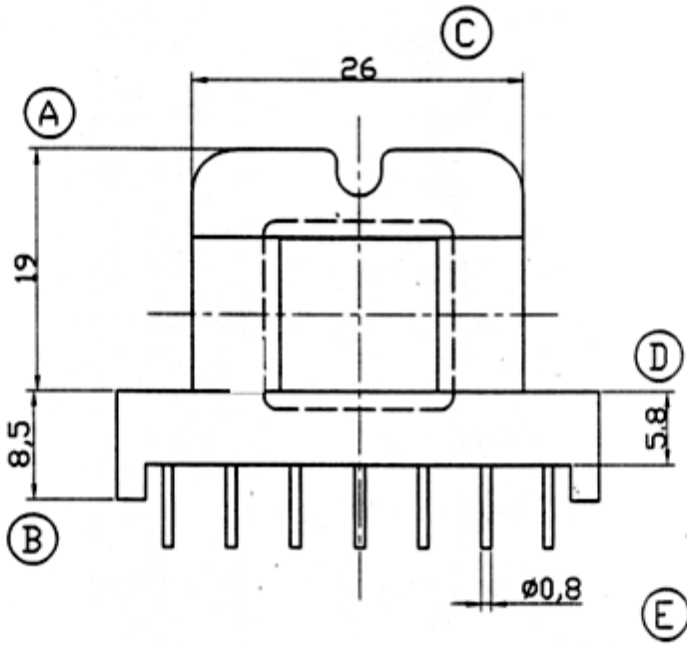
MM

DATE:

2004-07-22

REV

A1



珠海厦尔电子有限公司
 SHARE ELECTRONICS CO.,LTD
 TEL: 86-756-2621642 FAX: 86-756-2622642

MODEL NAME
EE-40 14PIN

DRAWING NO.
B-4001

DRAFTER	AMY LEE	TOLERANCE		ANGLE ±1°
		0 < L ≤ 4	±0.1	
CHECKER	RICHARD	4 < L ≤ 16	±0.2	SCALE NO SCALE
		16 < L ≤ 50	±0.3	
APPROVER	SEAROC	50 < L	±0.5	
		PIN PITCH	±0.2	

UL REC: UL 94V-0	BOBBIN MATERIAL: PHENOLIC	
PIN TENSION LOAD 1. 2KG MIN	PIN MATERIAL: CP WIRE	
UNIT MM	DATE: 2004-07-22	REV A1