

NOTES:

HIGH FET CURRENT  
ALARM  
CURRENT SENSE FOR  
POWER CALC  
LAMP MISSING DET.  
LAMP CURRENT DET.

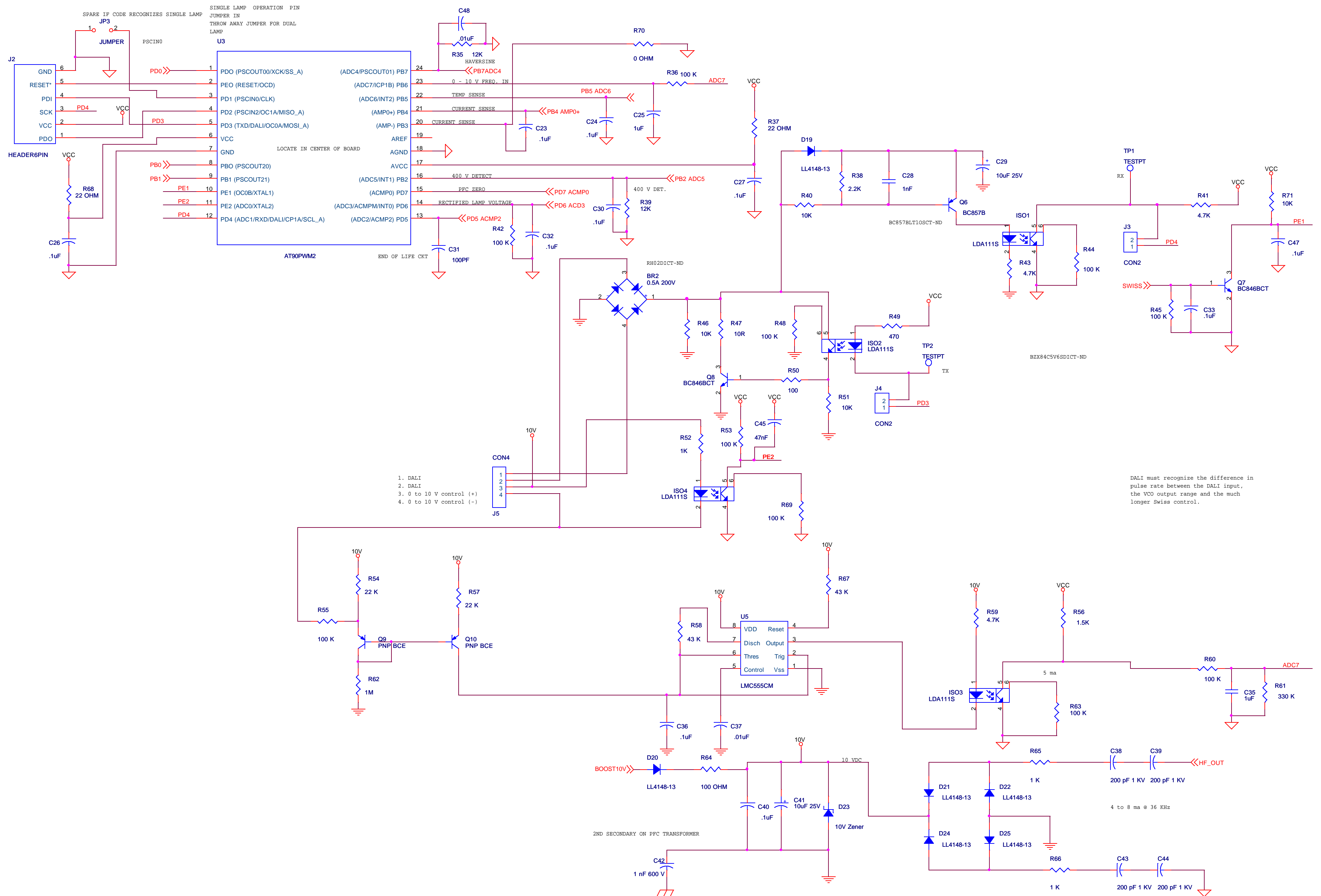
LAMP VOLT DET.  
END OF LIFE DC & AC  
DAC CONTROLLED WINDOW  
COMP.  
1.25 TO 2.75 NORMAL  
1.00 TO 3.00 END OF  
LIFE T8

RECT. LAMP VOLTAGE DET.  
IGNITION, RAMP, MISSING LAMP DET.  
ANALOG INPUT

OPEN FILAMENTS DETECTED BY 1/2 BRIDGE CURRENT, ONE LAMP  
JUMPER, & RECT LAMP VOLTAGE. OPTION IN CODE TO ACCEPT  
ONE LAMP W/DALI FLAG OR FAULT.

**PRELIMINARY**

Title <b>WL Williamson &amp; ASSOC</b> <b>Ballast Power Section</b>			
Size C	Document Number <b>C-2346-2</b>	Rev 3.1	
Date: Friday, September 23, 2005	Sheet 1	of 2	



1. DALI
2. DALI
3. 0 to 10 V control (+)
4. 0 to 10 V control (-)

DALI must recognize the difference in pulse rate between the DALI input, the VCO output range and the much longer Swiss control.

**PRELIMINARY**

Title			WL Williamson & ASSOC		
Size			Ballast Control		
C			Document Number		
C-2346-2			Rev		
Date:			Friday, September 23, 2005		
Sheet			2 of 2		
			3.1		