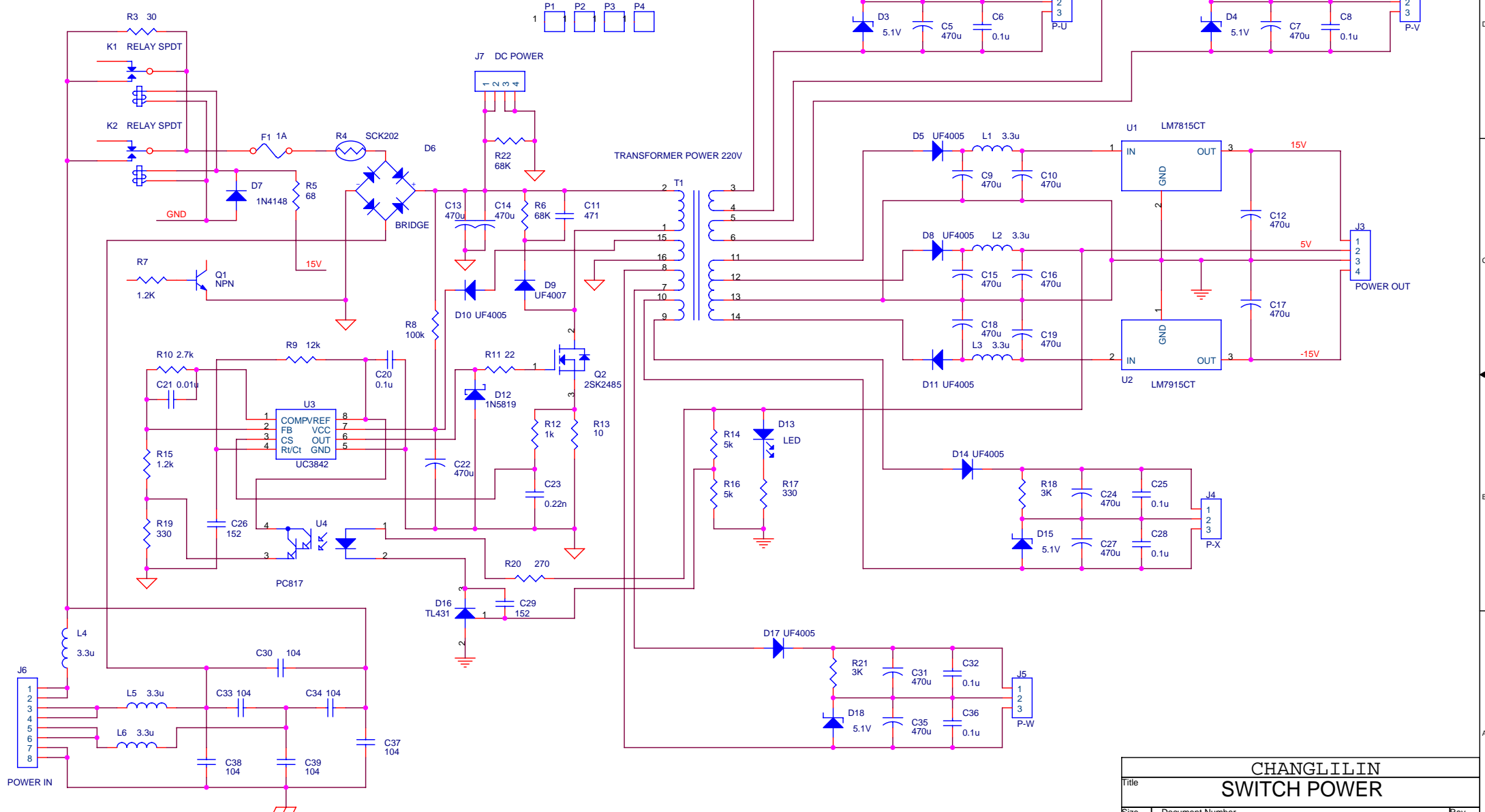


AC INPUT 80V ~ 260V



Title		
CHANGLILIN SWITCH POWER		
Size	Document Number	Rev
B	<Doc>	1.0
Date:	Thursday, July 06, 2006	Sheet 1 of 1