



PFM Step-Up DC-DC Converter

Features

- 260KHz Maximum Operation Frequency
- 2.0V to 5.0V Output Voltage With 0.1V Step
- Low Start-up Voltage: 0.8V at 1mA
- ± 2.5% Output Voltage Accuracy
- Up to 88% Efficiency
- Output current: 300mA at 2.5V input, 3.3V output
- Low Ripple and Low Noise
- Output Current Extendable by External Switch

Description

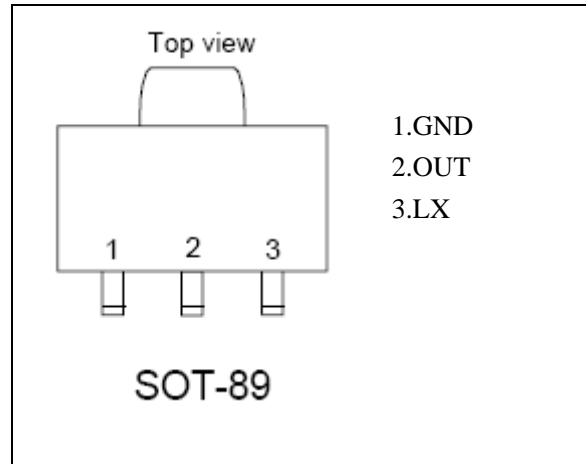
The CYT2606 Series are PFM step-up DC-DC converters with very low ripple noise due to the high operation frequency. The maximum operation frequency is 260KHz.

Only three components are required to realize the conversion from the battery voltage to a selected output voltage.

A driver pin (EXT) is provided for driving external power transistor to extend the output current capability where large current is required.

Enable pin (EN) is also provided so that the circuit can be powered down.

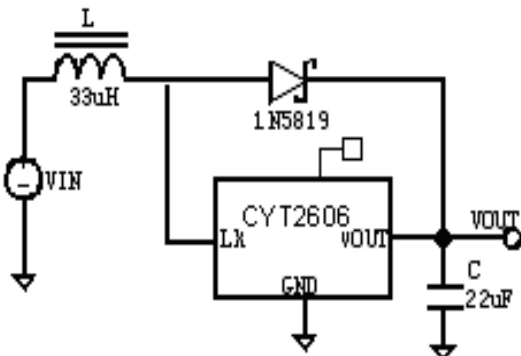
Pin Configuration



Applications

- Power source for applications where a higher voltage than the battery voltage is required
- One to three cell battery devices
- Power source for cameras
- camcorders
- VCRs, PDAs, LED and hand held communication instrument

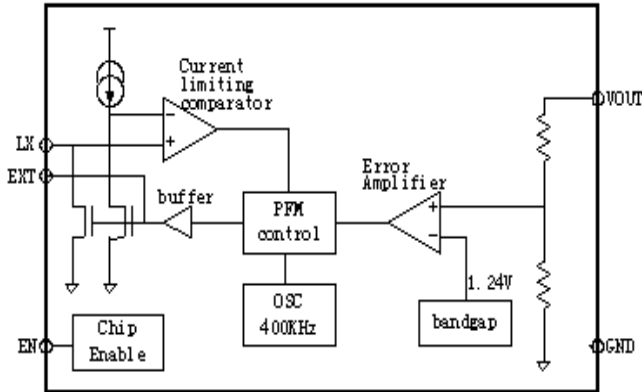
Typical Application



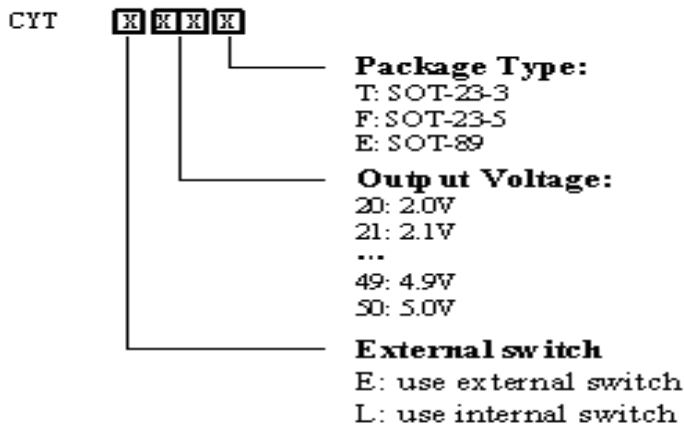
Block Diagram



PFM Step-Up DC-DC Converter



Ordering Information



Pin Assignment

Pin Name	Part Marking and Package Type						Description
	CYT2606	CYT2606	CYT2606	CYT2606	CYT2606	CYT2606	
	LXXT	LXXF	LXXE	EXXT	EXXF	EXXE	
	SOT-23-3	SOT-23-5	SOT-89	SOT-23-3	SOT-23-5	SOT-89	
LX	2	5	3	-	-	-	Switching pin
EXT	-	-	-	2	5	3	Buffer output for external transistor

***PFM Step-Up DC-DC Converter***

VOUT	3	2	2	3	2	2	Output voltage
EN	-	1	-	-	1	-	Chip enable (active high)
GND	1	4	1	1	4	1	Ground
NC	-	3	-	-	3	-	No connection

Absolute Maximum Ratings

Type	Symbol	Description	Value	Unit
Voltage	Vmax	Maximum voltage on VOUT and VLX pins	8	V
	Vmin-max	Voltage range on EXT and EN pins	-0.3-VOUT+0.3	V
Current	ILXmax	Maximum current on LX pin	1000	mA
	IEXTmax	Maximum current on EXT pin	100	mA
Power dissipation	Psot-23-3	Maximum Power dissipation for SOT-23-3 package	0.25	W
	Psot-23-5	Maximum Power dissipation for SOT-23-5 package	0.25	W
	Psot-89	Maximum Power dissipation for SOT-89 package	0.5	W
Thermal	Tmin-max	Operation temperature range	-20-85	°C
	Tstorage	Storage temperature range	-40-165	°C
ESD	VESD	ESD voltage for human body mode	2000	V

Electrical Characteristics

$V_{IN} = 5V$; $I_{OUT} = 10mA$, $C_{IN} = 2.2\mu F$; $C_{OUT} = 2.2\mu F$; $T_J = 25^{\circ}C$; unless otherwise specified.

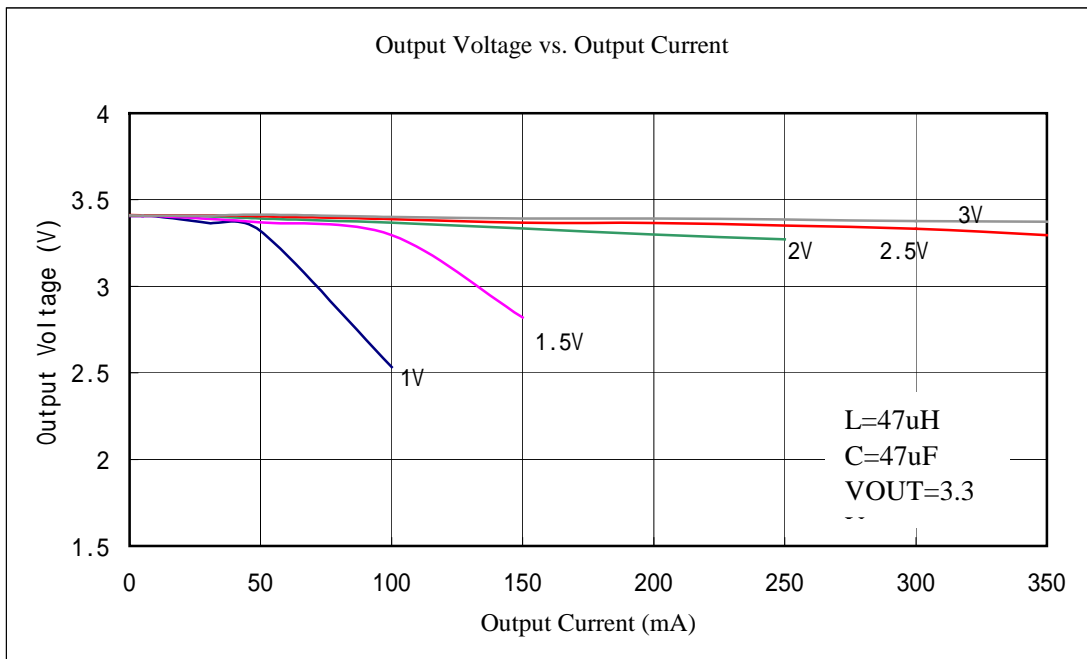
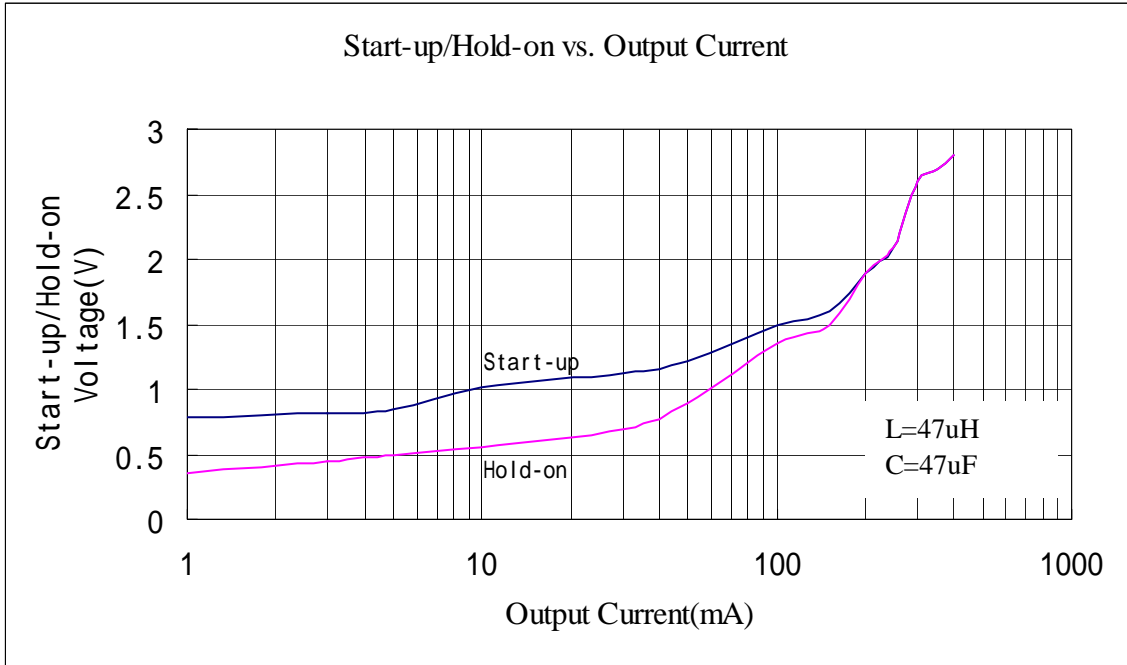
***PFM Step-Up DC-DC Converter***

Parameter	Symbol	Test Condition	Min	Typ	Max	Unit
Output voltage accuracy	V _{OUT}		-2		2	%
Maximum input voltage	V _{INMAX}		0.7		V _{OUT}	V
Start-up voltage	V _{START}	I _{LOAD} =1mA, V _{IN} :0→2V			0.85	V
Hold-on voltage	V _{HOLD}	I _{LOAD} =1mA, V _{IN} :2→0V	0.6			V
Maximum oscillation frequency	F _{MAX}		220	260	280	KHz
Oscillator duty cycle	DC _{OSC}		75	80	85	%
Efficiency	η			85	88	%
Current limit	I _{LIMIT}		600	800	1000	mA
Input current at no load	I _{IN0}	V _{IN} =1.8V V _{OUT} =3.0V		20		μA
		V _{IN} =1.8V V _{OUT} =5.0V		25		μA
Input standby current	I _{INQ}	No load, EN="low"			1	μA
EN "High" voltage level			0.4*V _{OUT}			V
EN "low" level					0.2	V
EN "high" input current					0.1	μA
EN "low" input current			-0.1			μA
EXT output current			-5		5	mA

Typical Characteristics (Using Internal Switch Transistor)

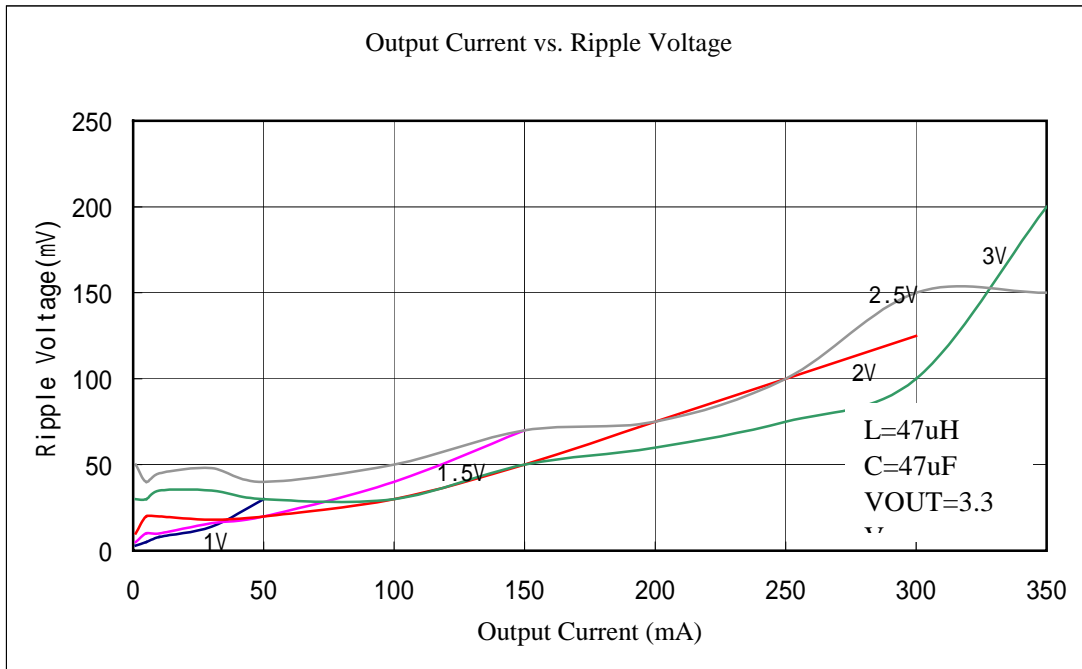
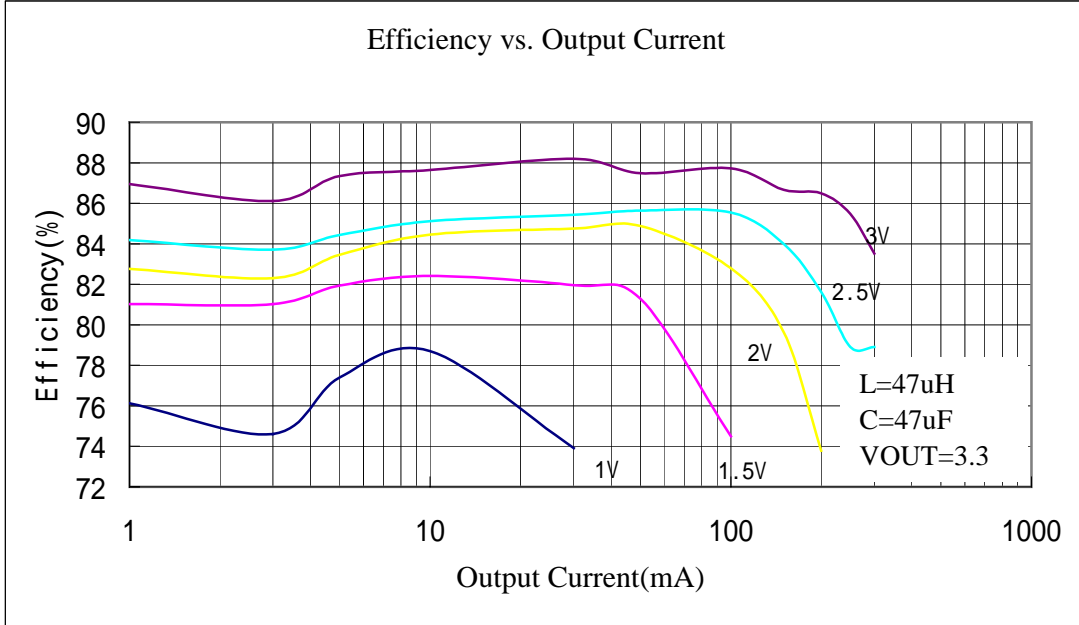


PFM Step-Up DC-DC Converter



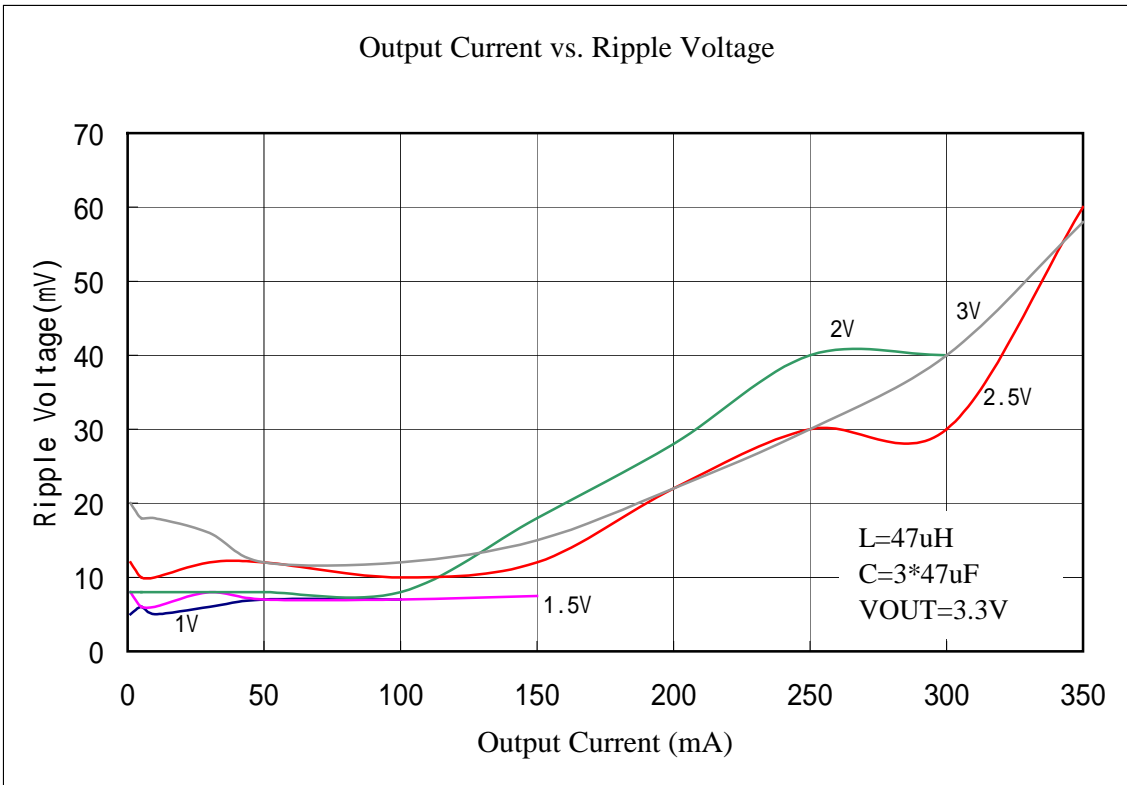
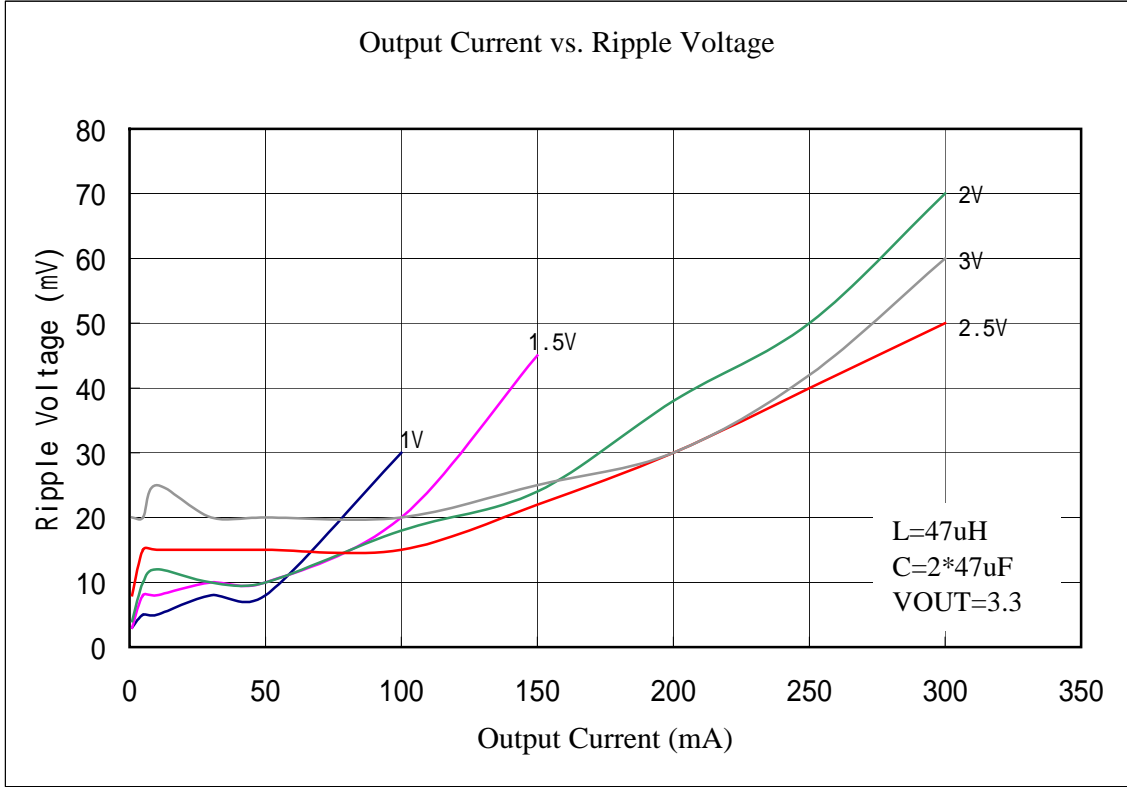


PFM Step-Up DC-DC Converter





PFM Step-Up DC-DC Converter





CYT2606

PFM Step-Up DC-DC Converter

**SHENZHEN CHANGYUNTONG IC DESIGE CO. ,LTD.
SHENZHEN CHANGYUNTONG IC DESIGN TECHNOLOGY R&D CENTER**

Head office in china:

E201,IER building,south area,shenzhen Hi-Tech industrial park
Tel :86-755-26984863 fax :86-755-26984862

office in U.S.A:

7083 hollywood blvd.,suite 180 los angeles,CA 90028
tel :001-323-962-8600 X 269 fax :001-323-962-8300

Company of H.K.:

Flat ka shing lou ka wai chnen hung hom hong kong
Tel :00852-23305926 fax :00852-23305936