

# TAMTEC ELECTRONICS LTD.

## ELECTRICAL SPECIFICATION

DATE: May 18, 05

PAGE: 1/2

Customer \*\*\*\*  
 Model 230V-10V (500mA) EI41 H50

Customer Ref. \*\*\*\*  
 Our Ref.: TF-230-10-5-LEAD

Standard \*\*\*\*

Description Pin Type Power Transformer (EI-41X12.8H)

PRI.	NO.	Pin	COLOUR	AC	Frequency	Exciting I	Remarks
	P1	n/a	n/a	****	230V	50Hz	35mA max.
n/a		n/a	****				
WIRE DIAMETER AND TURNS				0-4200T	0.08mm, Grade 2, 180°C		
DC RESISTANCE ±20%				(Ta=25°C)	**** Ω		

SEC.	NO.	Pin	COLOUR	No Load Voltage (max)	Full load Voltage ±5%	Input
	S1	n/a	n/a	****	AC 15V	AC10V @500mA
n/a		n/a	****			
WIRE DIAMETER AND TURNS				0-267T	0.30mm, Grade 2, 180°C	

RATED CONTINUOUS OUTPUT POWER \*\*\* VA

INSULATION RESISTANCE	PRIMARY - SECONDARY		100M Ω	@ DC	500V
	PRIMARY - CORE		100M Ω	@ DC	500V
	SECONDARY - CORE		100M Ω	@ DC	500V

DIELECTRIC STRENGTH	PRIMARY - SECONDARY		AC 4000V,	5mA	2 Seconds
	PRIMARY - CORE		AC 4000V,	5mA	2 Seconds
	SECONDARY - CORE		AC 500V,	5mA	2 Seconds
	PRIMARY - PRIMARY		AC	mA	Second
	SECONDARY - SECONDARY		AC	mA	Second

PROTECTIVE DEVICE	PRIMARY WITH	**** °C THERMAL FUSE			
TEMPERATURE RISE at Ta=25°C	Condition	WINDING (by the resistance method)	****°C MAX.		
		IRON CORE (by the thermometer method)	****°C MAX.		

Windings to be terminated to insulated flying leads. Insulation to be rated at 150°C

Primary wires = RED

Secondary wires = WHITE

**REMARKS:**  
 1. Core Stack = 12.8mm  
 2. Laminations = H50

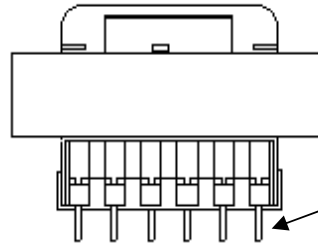
TAMTEC ELECTRONICS LTD.							
				PART NO.:		REF. NO.:	
				CHECKED:		SCALE:	
				APPROVED:		UNLESS OTHER SPECIFIED	
A	First Issue	050518				UNIT: mm	
REV.	DESCRIPTION	DATE	BY			TOLERANCE:	Linear ± 1.0mm

# TAMTEC ELECTRONICS LTD.

## MECHANICAL DIMENSION

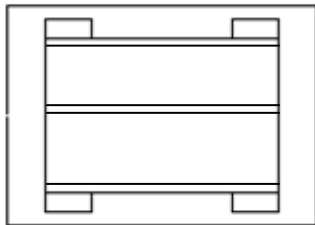
DATE: May 18, 05

PAGE: 2/2

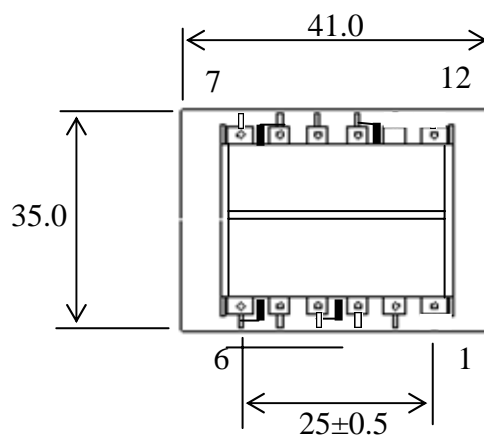


All pins to be removed

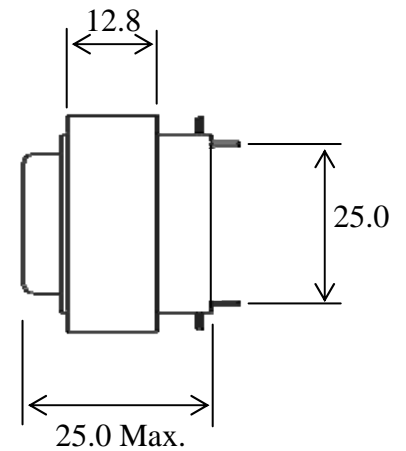
Front View



Top View

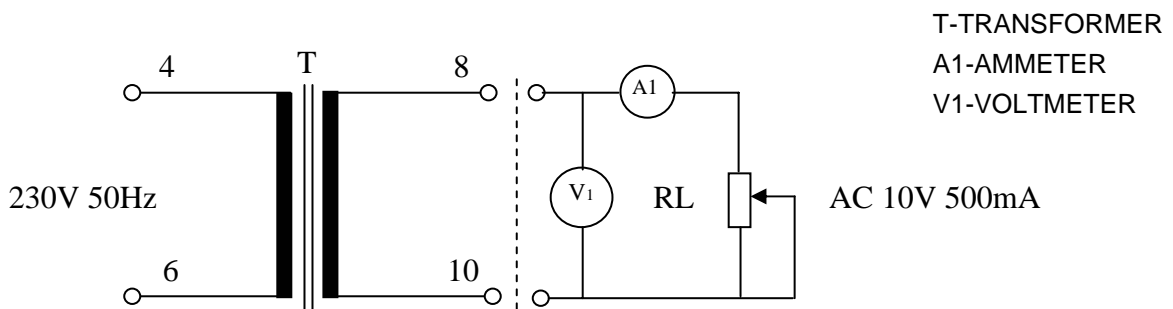


Pin View



Side View

## SCHEMATIC DIAGRAM



				<b>TAMTEC ELECTRONICS LTD.</b>			
				PART NO.:			REF. NO.:
				CHECKED:			SCALE: N. T. S.
A	First Issue	050518		APPROVED:	UNLESS OTHER SPECIFIED		
REV.	DESCRIPTION	DATE	BY	Ta: 25C	UNIT: mm	TOLERANCE: LINEAR ±1.0mm	