

TAMTEC ELECTRONICS LTD.

ELECTRICAL SPECIFICATION

DATE: May 18, 05

PAGE: 1/2

Customer ****
 Model 230V-5V (500mA) EI41 Z11
 Customer Ref. ****
 Our Ref.: TF-230-5-5
 Standard ****
 Description Pin Type Power Transformer (EI-41X12.8Z)

PRI.	NO.	Pin	COLOUR	AC	Frequency	Exciting I	Remarks
	P1		4	****	230V	50Hz	35mA max.
		6	****				
WIRE DIAMETER AND TURNS				0.085mm, 0-4100T			
DC RESISTANCE ±20%				(Ta=25°C) **** Ω			

SEC.	NO.	Pin	COLOUR	No Load Voltage (max)	Full load Voltage ±5%	Input
	S1		8	****	AC 7.5V	AC5V @500mA
		10	****			
WIRE DIAMETER AND TURNS				0.45mm, 0-115T		

RATED CONTINUOUS OUTPUT POWER *** VA

INSULATION RESISTANCE	PRIMARY - SECONDARY		100M Ω	@ DC	500V
	PRIMARY - CORE		100M Ω	@ DC	500V
	SECONDARY - CORE		100M Ω	@ DC	500V

DIELECTRIC STRENGTH	PRIMARY - SECONDARY		AC 4000V,	5mA	2 Seconds
	PRIMARY - CORE		AC 4000V,	5mA	2 Seconds
	SECONDARY - CORE		AC 500V,	5mA	2 Seconds
	PRIMARY - PRIMARY		AC	mA	Second
	SECONDARY - SECONDARY		AC	mA	Second

PROTECTIVE DEVICE	PRIMARY WITH	**** °C THERMAL FUSE
TEMPERATURE RISE at Ta=25°C	Condition	WINDING (by the resistance method) ****°C MAX. IRON CORE (by the thermometer method) ****°C MAX.

Pin	Colour	Description	Total Length	Finishing
4, 6	****	Square Pin, Dia 0.70mm	5.0+/-0.5	Tinned
8, 10	****	Square Pin, Dia 0.70mm	5.0+/-0.5	Tinned

REMARKS:

1. Core Stack = 12.8mm x Z11 Laminations
2. No connection for other pins
3. Pin 3 to be removed

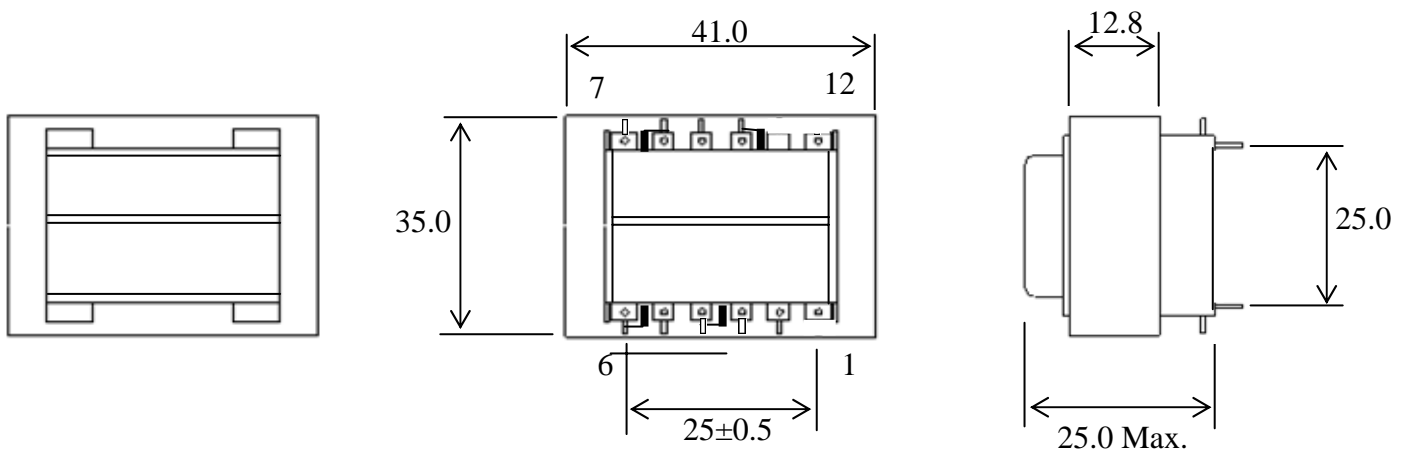
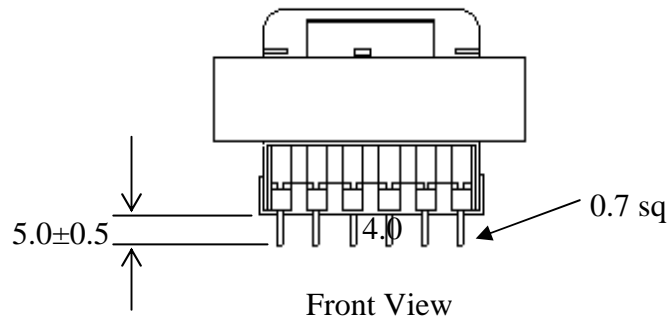
TAMTEC ELECTRONICS LTD.							
				PART NO.:		REF. NO.:	
				CHECKED:		SCALE:	
				APPROVED:		UNLESS OTHER SPECIFIED	
A	First Issue	040914				UNIT: mm	
REV.	DESCRIPTION	DATE	BY			TOLERANCE:	Linear ± 1.0mm

TAMTEC ELECTRONICS LTD.

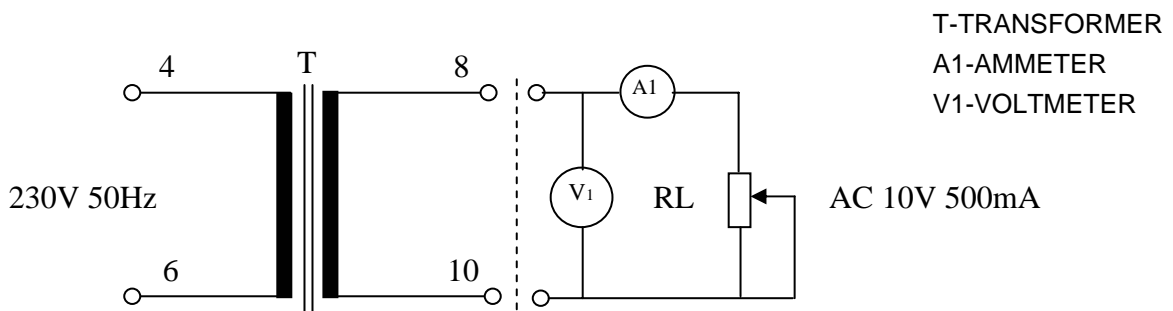
MECHANICAL DIMENSION

DATE: May 18, 05

PAGE: 2/2



SCHEMATIC DIAGRAM



				TAMTEC ELECTRONICS LTD.			
				PART NO.:			REF. NO.:
				CHECKED:			SCALE: N. T. S.
A	First Issue	050518		APPROVED:	UNLESS OTHER SPECIFIED		
REV.	DESCRIPTION	DATE	BY	Ta: 25C	UNIT: mm	TOLERANCE: LINEAR ±1.0mm	