

1 Watt Power LED ASMT-Mx00 Collimator Lens Option

Preliminary



Introduction

1 Watt Power LED Light Source is a high performance energy efficient device which can handle high thermal and high driving current. The Collimator Lens ASMT-M006/ ASMT-M015 are design to efficiently collimate the light of 1 Watt Power LED ASMT-Mx00 into a 6° and 15° beam.

The optical design of the collimator uses the total internal reflection mechanism to collimate the light. The design and acrylic material use bring the efficiency up to 90%.

Collimator Lens Image



Features

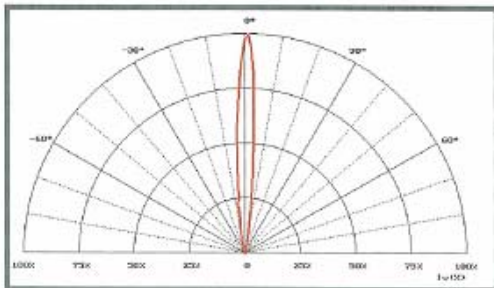
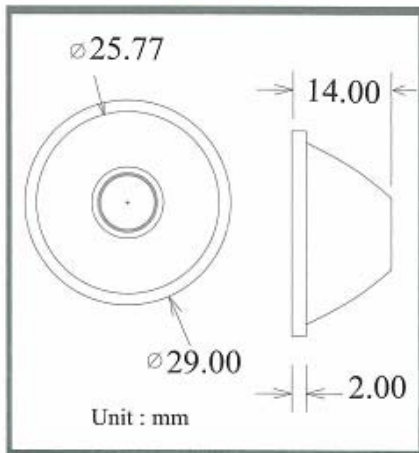
- Available in 6° and 15° beam.
- Energy efficient
- Work with all 1 Watt Power LED ASMT-Mx00 product.
- Acrylic plastic

Applications

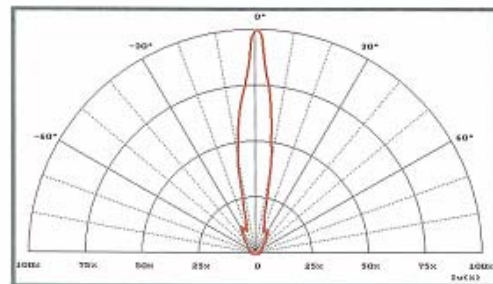
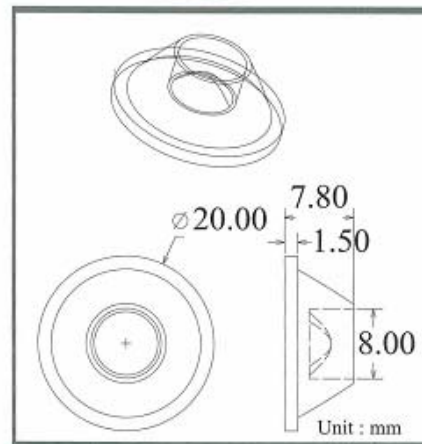
- Portable (flash light, bicycle head light)
- Reading light
- Architectural lighting
- Garden lighting.
- Decorative lighting.

Collimator Lens Dimension

ASMT-M006 (6° beam)



ASMT-M015 (15° beam)



Note:

1. All dimensions in millimeters.
2. The collimator rim peripherals surface can be use as a snap –on feature to support the collimator.
3. The light source must be protected from any axial or lateral loads cause by the collimator.
4. The collimator is molded from optical grade acrylic. Do not subject the collimator to temperature greater than 75 °C as it may deform.