

6

5

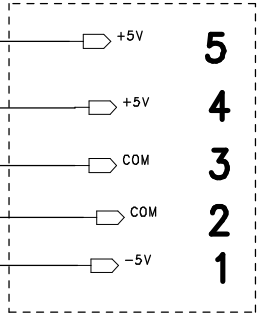
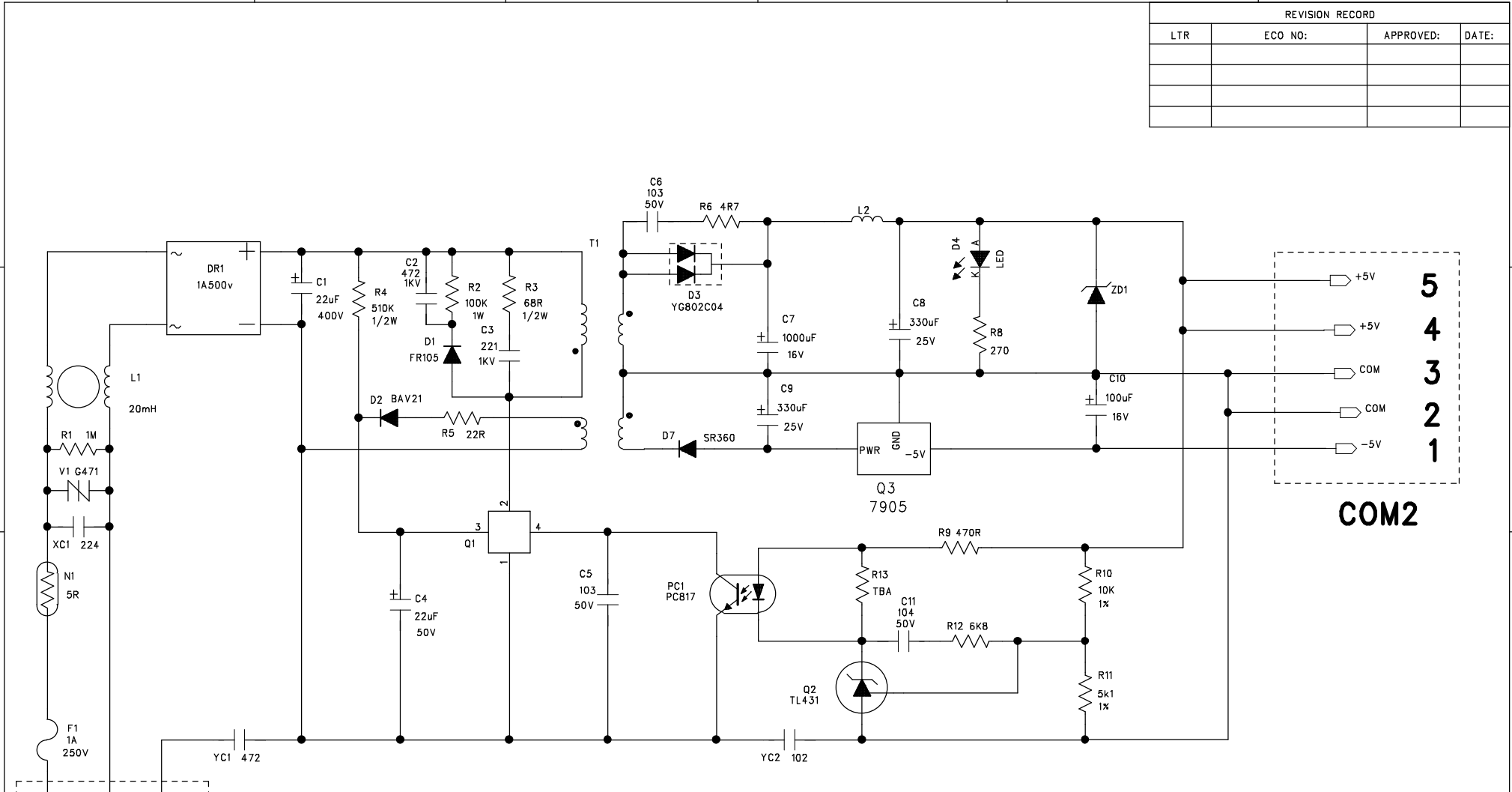
4

3

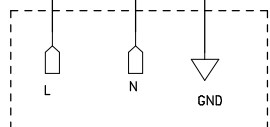
2

1

REVISION RECORD			
LTR	ECO NO:	APPROVED:	DATE:



COM2



COM1

COMPANY:

TITLE:

DRAWN:	Sheng	DATED:	9 JUL 2006
CHECKED:		DATED:	
QUALITY CONTROL:		DATED:	
RELEASED:		DATED:	

CODE:	SIZE:	DRAWING NO:	REV:
	A3		1.0
SCALE:		SHEET: OF	

D

C

B

A

D

C

B

A