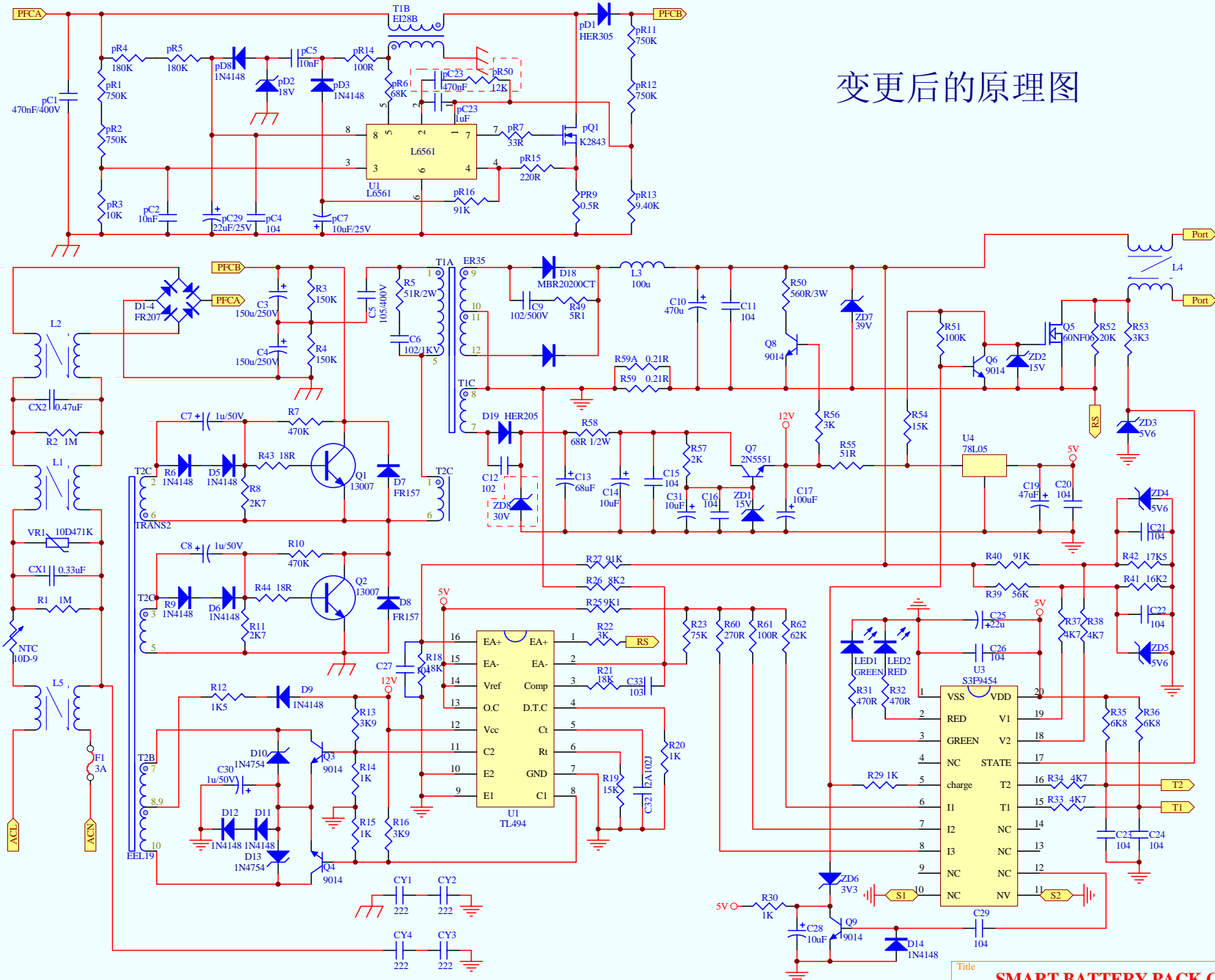


变更后的原理图



Title **SMART BATTERY PACK CHARGER**

Size	Number	Revision
A3	TA040910	
Date:	17-Jul-2006	Sheet of
File:	E:\TA040910 charger\TTI SMART CHARG	Drawn By: