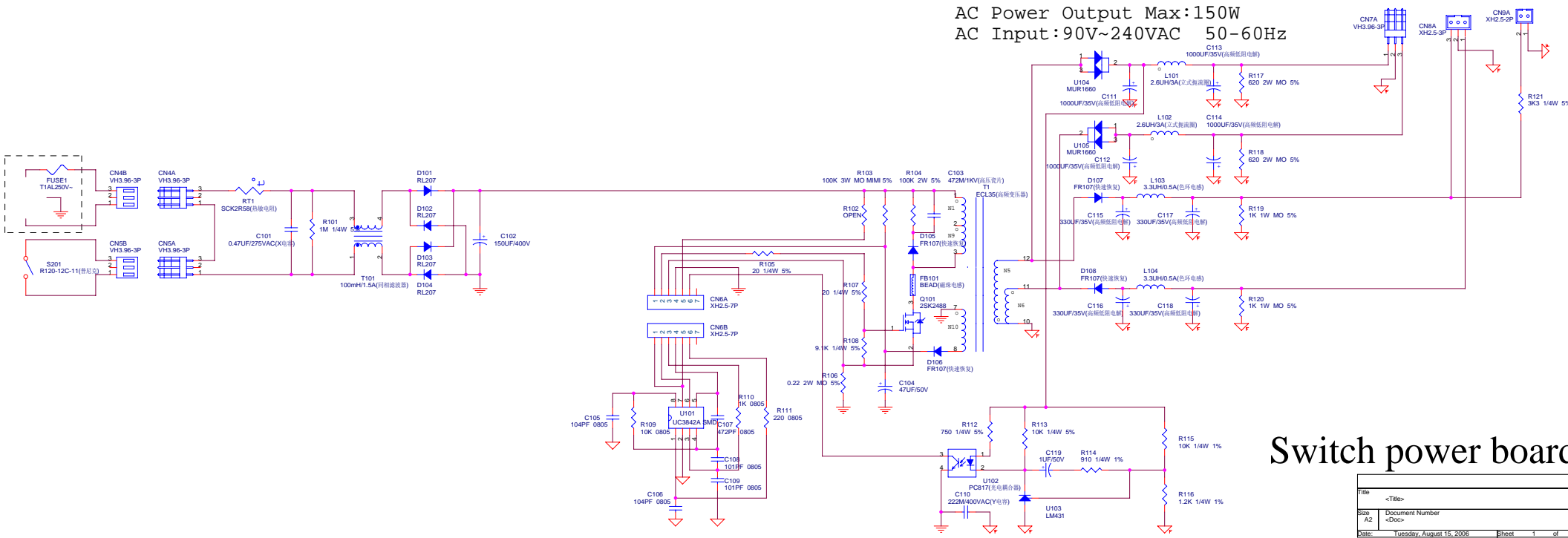


AC Power Output Max:150W  
 AC Input:90V~240VAC 50-60Hz



# Switch power board

Title	<Title>
Doc Number	<Doc>
Rev	<Rev Code>
Date	Tuesday, August 15, 2006
Sheet	1 of 1