

**INTERNATIONAL
STANDARD**

**IEC
60335-2-37**

Fifth edition
2002-10

**Household and similar electrical appliances –
Safety –**

**Part 2-37:
Particular requirements for commercial
electric deep fat fryers**

*Appareils électrodomestiques et analogues –
Sécurité –*

*Partie 2-37:
Règles particulières pour les friteuses électriques
à usage collectif*



Reference number
IEC 60335-2-37:2002(E)

Publication numbering

As from 1 January 1997 all IEC publications are issued with a designation in the 60000 series. For example, IEC 34-1 is now referred to as IEC 60034-1.

Consolidated editions

The IEC is now publishing consolidated versions of its publications. For example, edition numbers 1.0, 1.1 and 1.2 refer, respectively, to the base publication, the base publication incorporating amendment 1 and the base publication incorporating amendments 1 and 2.

Further information on IEC publications

The technical content of IEC publications is kept under constant review by the IEC, thus ensuring that the content reflects current technology. Information relating to this publication, including its validity, is available in the IEC Catalogue of publications (see below) in addition to new editions, amendments and corrigenda. Information on the subjects under consideration and work in progress undertaken by the technical committee which has prepared this publication, as well as the list of publications issued, is also available from the following:

- **IEC Web Site (www.iec.ch)**
- **Catalogue of IEC publications**

The on-line catalogue on the IEC web site (http://www.iec.ch/searchpub/cur_fut.htm) enables you to search by a variety of criteria including text searches, technical committees and date of publication. On-line information is also available on recently issued publications, withdrawn and replaced publications, as well as corrigenda.
- **IEC Just Published**

This summary of recently issued publications (http://www.iec.ch/online_news/justpub/jp_entry.htm) is also available by email. Please contact the Customer Service Centre (see below) for further information.
- **Customer Service Centre**

If you have any questions regarding this publication or need further assistance, please contact the Customer Service Centre:

Email: custserv@iec.ch
Tel: +41 22 919 02 11
Fax: +41 22 919 03 00

INTERNATIONAL STANDARD

IEC 60335-2-37

Fifth edition
2002-10

Household and similar electrical appliances – Safety –

Part 2-37: Particular requirements for commercial electric deep fat fryers

*Appareils électrodomestiques et analogues –
Sécurité –*

*Partie 2-37:
Règles particulières pour les friteuses électriques
à usage collectif*

© IEC 2002 — Copyright - all rights reserved

No part of this publication may be reproduced or utilized in any form or by any means, electronic or mechanical, including photocopying and microfilm, without permission in writing from the publisher.

International Electrotechnical Commission, 3, rue de Varembé, PO Box 131, CH-1211 Geneva 20, Switzerland
Telephone: +41 22 919 02 11 Telefax: +41 22 919 03 00 E-mail: inmail@iec.ch Web: www.iec.ch



Commission Electrotechnique Internationale
International Electrotechnical Commission
Международная Электротехническая Комиссия

PRICE CODE

L

For price, see current catalogue

CONTENTS

FOREWORD	3
INTRODUCTION	5
1 Scope	6
2 Normative references.....	6
3 Definitions	6
4 General requirement.....	7
5 General conditions for the tests	7
6 Classification	8
7 Marking and instructions	8
8 Protection against access to live parts	10
9 Starting of motor-operated appliances	10
10 Power input and current.....	10
11 Heating.....	10
12 Void	11
13 Leakage current and electric strength at operating temperature	11
14 Transient overvoltages.....	12
15 Moisture resistance.....	12
16 Leakage current and electric strength	14
17 Overload protection of transformers and associated circuits.....	14
18 Endurance	14
19 Abnormal operation.....	14
20 Stability and mechanical hazards.....	15
21 Mechanical strength.....	15
22 Construction	15
23 Internal wiring	19
24 Components	19
25 Supply connection and external flexible cords.....	19
26 Terminals for external conductors	20
27 Provision for earthing.....	20
28 Screws and connections	20
29 Clearances, creepage distances and solid insulation	20
30 Resistance to heat and fire	20
31 Resistance to rusting	21
32 Radiation, toxicity and similar hazards	21
 Annexes.....	 23
Annex N (normative) Proof tracking test.....	23
 Bibliography.....	 23
 Figure 101 – Splash apparatus.....	 22

INTERNATIONAL ELECTROTECHNICAL COMMISSION

**HOUSEHOLD AND SIMILAR ELECTRICAL APPLIANCES –
SAFETY –**
**Part 2-37: Particular requirements
for commercial electric deep fat fryers**

FOREWORD

- 1) The IEC (International Electrotechnical Commission) is a worldwide organization for standardization comprising all national electrotechnical committees (IEC National Committees). The object of the IEC is to promote international co-operation on all questions concerning standardization in the electrical and electronic fields. To this end and in addition to other activities, the IEC publishes International Standards. Their preparation is entrusted to technical committees; any IEC National Committee interested in the subject dealt with may participate in this preparatory work. International, governmental and non-governmental organizations liaising with the IEC also participate in this preparation. The IEC collaborates closely with the International Organization for Standardization (ISO) in accordance with conditions determined by agreement between the two organizations.
- 2) The formal decisions or agreements of the IEC on technical matters express, as nearly as possible, an international consensus of opinion on the relevant subjects since each technical committee has representation from all interested National Committees.
- 3) The documents produced have the form of recommendations for international use and are published in the form of standards, technical specifications, technical reports or guides and they are accepted by the National Committees in that sense.
- 4) In order to promote international unification, IEC National Committees undertake to apply IEC International Standards transparently to the maximum extent possible in their national and regional standards. Any divergence between the IEC Standard and the corresponding national or regional standard shall be clearly indicated in the latter.
- 5) The IEC provides no marking procedure to indicate its approval and cannot be rendered responsible for any equipment declared to be in conformity with one of its standards.
- 6) Attention is drawn to the possibility that some of the elements of this International Standard may be the subject of patent rights. The IEC shall not be held responsible for identifying any or all such patent rights.

This part of International Standard IEC 60335 has been prepared by IEC subcommittee 61E: Safety of electrical commercial catering equipment, of IEC technical committee 61: Safety of household and similar electrical appliances.

This fifth edition cancels and replaces the fourth edition published in 2000. It constitutes a technical revision.

The text of this part of IEC 60335 standard is based on the following documents:

FDIS	Report on voting
61E/399/FDIS	61E/411/RVD

Full information on the voting for the approval of this standard can be found in the report on voting indicated in the above table.

This part 2 is to be used in conjunction with the latest edition of IEC 60335-1 and its amendments. It was established on the basis of the fourth edition (2001) of that standard.

NOTE 1 When "Part 1" is mentioned in this standard, it refers to IEC 60335-1.

This part 2 supplements or modifies the corresponding clauses in IEC 60335-1, so as to convert that publication into the IEC standard: Safety requirements for commercial electric deep fat fryers.

When a particular subclause of part 1 is not mentioned in this part 2, that subclause applies as far as is reasonable. When this standard states "addition", "modification" or "replacement", the relevant text in part 1 is to be adapted accordingly.

NOTE 2 The following numbering system is used:

- subclauses, tables and figures that are numbered starting from 101 are additional to those in Part 1;
- unless notes are in a new subclause or involve notes in Part 1, they are numbered starting from 101, including those in a replaced clause or subclause;
- additional annexes are lettered AA, BB, etc.

NOTE 3 The following print types are used:

- requirements: in roman type;
- *test specifications: in italic type;*
- notes: in small roman type.

Words in **bold** in the text are defined in Clause 3. When a definition of Part 1 concerns an adjective, the adjective and the associated noun are also in bold .

The committee has decided that the contents of this publication will remain unchanged until 2004. At this date, the publication will be

- reconfirmed;
- withdrawn;
- replaced by a revised edition, or
- amended.

The following differences exist in the countries indicated below.

- 6.1: Class 01 appliances are allowed (Japan).
- 6.2: For appliances intended to be installed in a kitchen, an appropriate degree of protection against harmful ingress of water is required according to their height of installation (France).
- 13.2: Leakage current limits are different (Japan).
- 16.2: Leakage current limits are different (Japan).
- Clause 21: For appliances intended to be installed in a kitchen, different values of impact energy are applicable according to the height of the impact point (France).

A bilingual version of this publication may be issued at a later date.

INTRODUCTION

It has been assumed in the drafting of this International Standard that the execution of its provisions is entrusted to appropriately qualified and experienced persons.

This standard recognizes the internationally accepted level of protection against hazards such as electrical, mechanical, thermal, fire and radiation of appliances when operated as in normal use taking into account the manufacturer's instructions. It also covers abnormal situations that can be expected in practice.

This standard takes into account the requirements of IEC 60364 as far as possible so that there is compatibility with the wiring rules when the appliance is connected to the supply mains. However, national wiring rules may differ.

If an appliance within the scope of this standard also incorporates functions that are covered by another part 2 of IEC 60335, the relevant part 2 is applied to each function separately, as far as is reasonable. If applicable, the influence of one function on the other is taken into account.

This standard is a product family standard dealing with the safety of appliances and takes precedence over horizontal and generic standards covering the same subject.

An appliance that complies with the text of this standard will not necessarily be considered to comply with the safety principles of the standard if, when examined and tested, it is found to have other features that impair the level of safety covered by these requirements.

An appliance employing materials or having forms of construction differing from those detailed in the requirements of this standard may be examined and tested according to the intent of the requirements and, if found to be substantially equivalent, may be considered to comply with the standard.

HOUSEHOLD AND SIMILAR ELECTRICAL APPLIANCES – SAFETY –

Part 2-37: Particular requirements for commercial electric deep fat fryers

1 Scope

This clause of Part 1 is replaced by the following.

This International Standard deals with the safety of electrically operated commercial **deep fat fryers** including pressurized types not intended for household use, their **rated voltage** being not more than 250 V for single-phase appliances connected between one phase and neutral and 480 V for other appliances.

NOTE 101 These appliances are used for example in restaurants, canteens, hospitals and commercial enterprises such as bakeries, butcheries, etc.

The electrical part of appliances making use of other forms of energy is also within the scope of this standard.

As far as is practicable, this standard deals with the common hazards presented by these types of appliances.

NOTE 102 Attention is drawn to the fact that

- for appliances intended to be used in vehicles or on board ships or aircraft, additional requirements may be necessary;
- in many countries additional requirements are specified by the national health authorities, the national authorities responsible for the protection of labour, the national water supply authorities and similar authorities;
- in many countries, additional requirements are specified for pressure appliances.

NOTE 103 This standard does not apply to

- appliances designed exclusively for industrial purposes;
- appliances intended to be used in locations where special conditions prevail, such as the presence of a corrosive or explosive atmosphere (dust, vapour or gas);
- continuous process appliances for the mass production of food.

2 Normative references

This clause of Part 1 is applicable.

3 Definitions

This clause of Part 1 is applicable except as follows.

3.1.4 Addition:

NOTE 101 The **rated power input** is the sum of the power inputs of all the individual elements in the appliance that can be on at one time; where there are several such combinations possible, that giving the highest power input is used in determining the **rated power input**

3.1.9 *Replacement:*

normal operation

operation of the appliance under the following conditions

The appliance is filled with oil to the minimum **indicated level**.

The thermal control is set at the maximum setting. Lids, if provided, are left in the open position or removed unless the manufacturer's instructions indicate that the appliance is designed for operation with the lid closed.

Motors incorporated in the appliance are operated in the intended manner under the most severe conditions that can be expected in normal use taking into account the manufacturer's instructions.

3.101

deep fat fryer

an appliance provided with one or more containers in which the food to be cooked is immersed in the frying medium. The container(s) may be fixed, removable, lifting, tilting, etc. The pressure within the container can exceed atmospheric pressure

3.102

indicated level

a mark on the appliance to indicate either the minimum or the maximum liquid level for correct operation

3.103

installation wall

a special fixed construction containing supply facilities for appliances installed in conjunction with it

3.104

rated pressure

the maximum working pressure assigned by the manufacturer to the pressurized part of the appliance

4 **General requirement**

This clause of Part 1 is applicable.

5 **General conditions for the tests**

This clause of Part 1 is applicable except as follows.

5.5 *Addition:*

The tests are carried out with the container in the position of normal use for frying.

5.10 *Addition:*

*Appliances intended for installation in a bank of other appliances and appliances intended to be fixed to an **installation wall** are enclosed to obtain protection against electric shock and harmful ingress of water equivalent to that obtained when installed in accordance with the instructions provided with the appliance.*

NOTE 101 Appropriate enclosures or additional appliances may be needed for test purposes.

5.101 Appliances are tested as **heating appliances**, even if they incorporate a motor.

5.102 Appliances, when assembled in combination with or incorporating other appliances, are tested in accordance with the requirements of this standard. The other appliances are operated simultaneously in accordance with the requirements of the relevant standards.

5.103 Appliances are initially filled with unused vegetable oil. The series of relevant tests are carried out with this oil, unused oil being added as necessary to maintain a constant level.

6 Classification

This clause of Part 1 is applicable except as follows.

6.1 Replacement:

Appliances shall be **class I** with respect to protection against electric shock.

Compliance is checked by inspection and by the relevant tests.

7 Marking and instructions

This clause of Part 1 is applicable except as follows.

7.1 Addition:

In addition, appliances shall be marked with

- the water pressure or range of pressures, in kilopascals (kPa), for appliances intended to be connected to a water supply, unless this is indicated in the instruction sheet;
- the **rated pressure**, in kilopascals (kPa), on pressurized parts of the appliance.

7.6 Addition:



[symbol 5021 of IEC 60417-1]

equipotentiality

7.10 Addition:

Devices controlling the tilting process of appliances with tilting parts shall be clearly marked to show the direction of movement.

7.12 Addition:

The instructions shall include a warning that danger of fire exists if the oil level is below the minimum **indicated level**.

The instructions shall include the maximum batch load in kilograms.

The instructions shall include a warning regarding the danger of using old oil, emphasizing that this will have a reduced flash-point and be more prone to surge boiling.

The instructions shall also include the substance of the following warning:

WARNING: Do not open drain cocks or other emptying devices until the pressure has been reduced to approximately atmospheric pressure.

Attention shall also be drawn to the effect on surge boiling of over-wet food and too large a charge.

If symbol 5021 of IEC 60417-1 is marked on the appliance its meaning shall be explained.

7.12.1 Replacement:

The appliance shall be accompanied by instructions detailing any special precautions necessary for installation. For appliances intended for installation in a bank of other appliances and appliances intended to be fixed to an **installation wall**, details of how to ensure appropriate protection against electric shock and harmful ingress of water shall be supplied. If the controls of more than one appliance are combined in a separate enclosure, detailed installation instructions shall be supplied. Instructions for **user maintenance**, for example cleaning, shall also be given. They shall include a statement that the appliance is not to be cleaned with a water jet.

Appliances that are provided with an appliance inlet, and are intended to be immersed in water for cleaning shall be accompanied by an instruction stating that the connector shall be removed before the appliance is cleaned and that the appliance inlet shall be dried before the appliance is used again.

The instructions of appliances other than **stationary appliances** and appliances with **detachable electrical parts**, that are not intended to be partially or completely immersed in water for cleaning, shall state that the appliance or part must not be immersed.

For appliances that are permanently connected to fixed wiring and for which leakage currents may exceed 10 mA, particularly if disconnected or not used for long periods, or during initial installation, the instructions shall give recommendations regarding the rating of **protective devices**, such as earth leakage relays, to be installed.

Compliance is checked by inspection.

7.12.4 Addition:

The instructions for **built-in appliances** having a separate control panel for several appliances shall state that the control panel is only to be connected to the specified appliances in order to avoid a possible hazard.

7.15 Addition:

When it is not practical to place the marking of **fixed appliances** so that it is visible after the appliance has been installed, the relevant information shall also be included in the instructions for use or on an additional label that can be fixed near the appliance after installation.

NOTE 101 An example of such a **fixed appliance** is a **built-in appliance**.

7.101 Equipotential bonding terminals shall be marked with symbol 5021 of IEC 60417-1.

These indications shall not be placed on screws, removable washers or other parts that can be removed when conductors are being connected.

Compliance is checked by inspection.

7.102 Appliances or the **detachable electrical parts** of appliances intended to be partially immersed in water for cleaning shall be marked with a line that clearly indicates the maximum depth of immersion, together with the substance of the following warning:

Do not immerse beyond this line.

If there is any seam or seal that causes the appliance or part not to withstand the treatment specified in 15.102, the line indicating the maximum depth of immersion shall be at least 50 mm below any such seam or seal when the appliance or the part is in the position in which it is to be cleaned.

Compliance is checked by inspection and measurement.

7.103 Appliances shall be marked with the minimum and maximum oil levels.

Compliance is checked by inspection.

8 Protection against access to live parts

This clause of Part 1 is applicable.

9 Starting of motor-operated appliances

This clause of Part 1 is applicable except as follows.

9.101 Fan motors providing a cooling effect in order to comply with the requirements of Clause 11 shall start under all voltage conditions that may occur in use.

*Compliance is checked by starting the motor three times at a voltage equal to 0,85 times **rated voltage**, the motor being at room temperature at the beginning of the test.*

*The motor is started each time under the conditions occurring at the beginning of **normal operation** or, for automatic appliances, at the beginning of the normal cycle of operation, the motor being allowed to come to rest between successive starts. For appliances provided with motors having other than centrifugal starting switches, this test is repeated at a voltage equal to 1,06 times **rated voltage**.*

*In all cases, the motor shall start and it shall function in such a way that safety is not affected and overload **protection devices** of the motor shall not operate.*

NOTE The supply source must be such that during the test the drop in voltage does not exceed 1 %.

10 Power input and current

This clause of Part 1 is applicable except as follows.

10.1 Addition:

NOTE 101 For appliances having more than one heating unit, the total power input may be determined by measuring the power input of each heating unit separately (see also 3.1.4).

11 Heating

This clause of Part 1 is applicable except as follows.

11.2 Addition:

Appliances intended to be fixed to the floor and appliances with a mass greater than 40 kg and not provided with rollers, castors or similar means are installed in accordance with the manufacturer's instructions. If no instructions are given, these appliances are considered as appliances normally placed on the floor.

11.3 Addition:

The temperature of the oil is measured 25 mm below the oil surface in the centre of the oil container.

11.4 Replacement:

*Appliances are operated under **normal operation** such that the total power input of the appliance is 1,15 times **rated power input**. If it is not possible to switch on all heating elements at the same time, the test is made with each of the combinations that the switch arrangement will allow, the highest load possible with each switching arrangement being in circuit.*

If the appliance is provided with a control that limits the total power input, the test is made with whichever combination of heating units, as may be selected by the control, imposes the most severe condition.

*If the temperature rise limits of motors, transformers or **electronic circuits** are exceeded, the test is repeated with the appliance supplied at 1,06 times **rated voltage**. In this case only the temperature rises of motors, transformers or **electronic circuits** are measured.*

NOTE 101 See also 11.7.

11.7 Replacement:

Appliances are operated until steady conditions are established.

NOTE 101 The duration of the test may consist of more than one cycle of operation.

Tilting motors are operated immediately after the appliance has reached steady conditions, for one full cycle of operation (one cycle being from the fully up position to the fully down position and back to the fully up position).

Lifting motors are similarly operated, but for three such cycles.

11.8 Addition:

The maximum temperature of the oil shall not exceed 200 °C. During the test, the pressure relief device shall not operate.

12 Void

13 Leakage current and electric strength at operating temperature

This clause of Part 1 is applicable except as follows.

13.2 Modification:

Instead of the permissible leakage current for **stationary class I appliances**, the following applies:

- *for cord and plug connected appliances* *1 mA per kW rated power input of the appliance with a maximum of 10 mA*
- *for other appliances* *1 mA per kW rated power input of the appliance with no maximum*

14 Transient overvoltages

This clause of Part 1 is applicable.

15 Moisture resistance

This clause of Part 1 is applicable except as follows.

15.1 Addition:

Appliances or any detachable electrical parts intended to be partially or completely immersed in water for cleaning are also subjected to the tests of 15.102.

NOTE 101 Appliances other than **stationary** appliances or any **detachable electrical parts** not marked with a line indicating the maximum depth of immersion, or for which there is no warning against partial or complete immersion in the instruction sheet, are considered to be appliances intended to be completely immersed in water for cleaning.

15.1.1 Addition:

In addition, IPX0, IPX1, IPX2, IPX3 and IPX4 appliances are subjected for 5 min to the following splash test.

The apparatus shown in Figure 101 is used. During the test, the water pressure is so regulated that the water splashes up 150 mm above the bottom of the bowl. The bowl is placed on the floor for appliances normally used on the floor. For all other appliances on a horizontal support 50 mm below the lowest edge of the appliance, the bowl is so moved around as to splash the appliance from all directions. Care is taken that the appliance is not hit by the direct jet.

15.1.2 Modification:

Appliances normally used on a table are placed on a support having dimensions that are 15 cm ± 5 cm in excess of those of the orthogonal projection of the appliance on the support.

15.2 Modification:

Instead of the requirement, the following applies.

Appliances shall be constructed so that spillage of liquid in normal use does not affect their electrical insulation.

15.3 Addition:

NOTE 101 If it is not possible to place the whole appliance in the humidity cabinet, parts containing electrical components are tested separately, taking into account the conditions that occur in the appliance.

15.101 Appliances that are provided with a tap intended for filling or cleaning, shall be constructed so that the water from the tap cannot come into contact with **live parts**.

Compliance is checked by the following test.

The tap is fully opened for 1 min with the appliance connected to a water supply having the maximum water pressure indicated by the manufacturer. Tiltable and movable parts, including lids, are tilted or placed in the most unfavourable positions. Swivelling outlets of water taps are so positioned as to direct water on to those parts that will give the most unfavourable result. Immediately following this treatment the appliance shall withstand an electric strength test as specified in 16.3.

15.102 Appliances or **detachable electrical parts** intended to be partially or completely immersed in water for cleaning shall have adequate protection against the effects of immersion.

Compliance is checked by the following tests.

*The sample is operated under **normal operation**, the supply voltage being such that the power input of the appliance is 1,15 times the **rated power input** until steady conditions are established.*

The connector is then withdrawn or the supply otherwise switched off and the sample is immediately emptied and then immersed completely in water having a temperature between 10 °C and 25 °C, unless it is marked with a line indicating the maximum depth of immersion, in which case it is immersed to the depth indicated.

After 1 h of immersion, the sample is removed from the water and dried, care being taken to ensure that all moisture is removed from the insulation in the vicinity of the pins of appliance inlets. The leakage current is then measured on the assembled appliance, as described in 16.2.

The leakage current shall not exceed the value specified in 16.2.

After the treatment described above and the measurement of the leakage current, the sample shall withstand an electric strength test as specified in 16.3, the test voltage being, however, reduced to 1 000 V.

The sample is then operated as above for 10 days (240 h). During this period, the sample is allowed to cool to approximately room temperature five times at regular intervals.

After this period, the connector of the sample is withdrawn or the supply otherwise switched off and the sample immediately emptied and immersed once more in water for 1 h as described above. It is then dried and the leakage current is measured again as described in 16.2.

The leakage current shall not exceed the value specified in 16.2.

The sample shall then withstand an electric strength test as specified before, and inspection shall show that water has not entered the appliance to any appreciable extent.

NOTE When inspecting the appliance for the presence of water, special attention is paid to parts of the appliance in which electrical components are situated.

16 Leakage current and electric strength

This clause of Part 1 is applicable except as follows.

16.2 Modification:

Instead of the permissible leakage current for **stationary class I appliances**, the following applies:

- *for cord and plug connected appliances* *1 mA per kW **rated power input** of the appliance with a maximum of 10 mA*
- *for other appliances* *1 mA per kW **rated power input** of the appliance with no maximum*

Addition:

NOTE 101 For appliances intended to be used with a connector and intended to be partially or completely immersed in water for cleaning, the appliance inlet may be dried, for example by means of blotting paper, before applying the test voltage, if the appliance would not otherwise withstand this test.

17 Overload protection of transformers and associated circuits

This clause of Part 1 is applicable.

18 Endurance

This clause of Part 1 is not applicable.

19 Abnormal operation

This clause of Part 1 is applicable except as follows.

19.1 Addition:

A control or switching device that is intended for different settings corresponding to different functions of the same part of the appliance and which are covered by different standards is in addition set in the most severe setting irrespective of the manufacturer's instructions.

Appliances provided with a control limiting the pressure during the test of Clause 11 are also subjected to the tests of 19.4 with this control rendered inoperative.

NOTE 101 Continuous blowing-off of the pressure relief device is in itself disregarded.

19.2 Addition:

The test is carried out in two parts as follows.

- a) *With a quantity of oil less than the minimum such that the highest oil temperature is obtained, the test is started from cold with the thermal control at its highest setting and with the lid(s) open, removed or closed whichever is the most unfavourable condition, unless the appliance is constructed so that it cannot be operated unless the lid(s) is(are) closed.*

- b) *When the appliance has returned to room temperature it is refilled and then drained for 1 h but not dried off. The test is then started with the thermal control at its highest setting and with the lid(s) open, removed or closed whichever is the most unfavourable condition, unless the appliance is constructed so that it cannot be operated unless the lid(s) is(are) closed. During this test no oil, other than the oil on the elements, shall ignite and no flames shall be propagated to other parts of the appliance.*

19.3 Addition:

Any adjustable temperature or pressure control within the appliance that is preset for correct operation but is not locked in position is adjusted to its most unfavourable position.

19.4 Addition:

NOTE 101 The main contacts of the contactor intended for switching on and off the heating element(s) in normal use are locked in the "ON" position. However, if two contactors operate independently of each other or if one contactor operates two independent sets of main contacts, these contacts are locked in the "ON" position in turn.

19.13 Addition:

During the first part of the test of 19.2 and 19.3, the temperature of the oil shall not exceed 230 °C measured at any point not closer than 5 mm from any surface.

During the test of 19.4 the temperature of the oil measured in accordance with 11.3 shall not exceed 230 °C.

20 Stability and mechanical hazards

This clause of Part 1 is applicable except as follows.

20.1 Addition:

Detachable parts and loose items such as baskets and lids are placed in their most unfavourable positions.

20.2 Modification:

Add the following after the first requirement paragraph.

This applies also to parts necessary to effect the tilting operation, i.e. handles or wheels.

21 Mechanical strength

This clause of Part 1 is applicable.

22 Construction

This clause of Part 1 is applicable except as follows.

22.7 Replacement:

Appliances that operate at a pressure in excess of atmospheric pressure (over-pressure) shall incorporate a suitable pressure relief device that prevents excessive pressure.

*Compliance is checked by operating the appliance at **rated power input** with the pressure controls rendered inoperative.*

*The pressure relief device shall operate during this test so as to prevent the internal pressure exceeding the **rated pressure** by more than 20 %.*

22.101 Thermal cut-outs protecting circuits with heating elements and those for motors of which the unexpected starting may cause a hazard shall be of the **non-self-resetting** trip-free type and shall provide **all-pole disconnection** from the supply. If the **non-self-resetting thermal cut-out** is only accessible after removing parts with the aid of a **tool** the trip-free type is not required.

NOTE 1 **Thermal cut-outs** of the trip-free type have an automatic action, with a reset actuating member, so constructed that the automatic action is independent of manipulation or position of the reset mechanism.

Thermal cut-outs of the bulb and capillary type that operate during the tests of Clause 19 shall be such that rupture of the capillary tube shall not impair compliance with the requirements of 19.13.

Compliance is checked by inspection and by manual test and by rupturing the capillary tube.

NOTE 2 Care must be taken to ensure that the rupture does not seal the capillary tube.

22.102 Lights, switches or push-buttons shall only be coloured red for the indication of danger, alarm or similar situations.

Compliance is checked by inspection.

22.103 Appliances shall be constructed so that spillage or splashing of hot oil on parts that in normal use have a temperature exceeding 300 °C is adequately prevented.

Compliance is checked by inspection after the test of 15.2.

22.104 A means shall be provided for emptying the oil from appliances with fixed containers without tilting the appliance, if the total mass of the appliance, with its container filled with oil to the maximum **indicated level**, exceeds 10 kg, or if the quantity of oil exceeds 5 l.

For appliances with removable containers, if the total mass of the container filled with oil to the maximum **indicated level** exceeds 10 kg, or if the quantity of oil exceeds 5 l, such a means shall also be provided.

NOTE Means to empty the oil are for example taps, drain valves, tilting devices, etc.

If oil-collecting containers are provided by the manufacturer, they shall be suitable and have sufficient capacity to allow the complete drainage of the oil in the appliance in one operation.

Containers in which oil is intended to be carried shall be provided with suitable means for handling.

Compliance is checked by inspection and measurement.

22.105 Appliances intended to be emptied by mechanically tilting the oil container shall be constructed so that this will not result in a hazard, for example the spilling or splashing of hot oil.

Compliance is checked by inspection.

22.106 Appliances with tilting containers shall be provided with a mechanism that prevents accidental tilting from any position.

If the container is tilted by means of an electric motor, it shall only be possible for this motor to function if the pressure is maintained on the control buttons or switches. The buttons or switches shall be located and protected in such a way that they cannot be operated accidentally.

If the container is tilted manually, it shall not be possible to adversely influence the tilting action other than by the intended means.

Compliance is checked by inspection and by applying a force of 340 N at any point to the container.

22.107 Appliances fitted with lifting devices shall be constructed so that the drive mechanism automatically disengages or stops at its fully up or fully down position.

Compliance is checked by inspection.

22.108 Appliances shall be constructed so that the heating element is switched off from the supply when

- it is removed from the appliance, or
- it has reached 80 % of the distance between its normal operating position and its parked position, if it is of the type that swings up.

Compliance is checked by inspection.

22.109 Appliances shall have adequate surge allowance above the maximum indicated oil level such that the total surge volume of the pan, including any container designed to collect surging oil, shall have a ratio in litres to the recommended batch load in kilograms (see 7.12), of not less than 4.

Compliance is checked by measurement.

22.110 Drain cocks and other emptying devices for hot liquids shall be constructed so that they cannot be opened inadvertently. Moreover, it shall not be possible to withdraw drain plugs inadvertently.

Compliance is checked by inspection and by manual test.

NOTE For example, this requirement is met when the valve handle is such that, when released, it returns automatically to the closed position or is of the wheel type or is placed in a recess.

22.111 Fryer baskets and swinging, tilting or lifting heating elements shall be constructed so as to keep them safely in the raised position.

Compliance is checked by inspection and by manual test.

22.112 Means provided to allow drainage of liquid from appliances shall discharge the liquid in such a manner that electrical insulation is not affected.

Compliance is checked by inspection and by manual test.

22.113 Hinged lids shall be protected against accidental falling.

Compliance is checked by inspection and by manual test.

22.114 **Portable appliances** shall not have openings on the underside that would allow small items to penetrate and touch **live parts**.

*Compliance is checked by inspection and by measuring the distance between the supporting surface and **live parts** through openings. This distance shall be at least 6 mm. However, if the appliance is fitted with legs, this distance is increased to 10 mm if the appliance is intended to stand on the table and to 20 mm if it is intended to stand on the floor.*

22.115 The operating pressure of pressurized parts of the appliance shall not exceed the **rated pressure**.

Compliance is checked during the test of Clause 11.

22.116 The pressure relief device shall be positioned or constructed so that its operation does not cause injury to persons or damage to surroundings. Its construction shall be such that it cannot be made inoperative.

Compliance is checked by inspection.

22.117 It shall not be possible to open the lid or cover of a pressurized appliance until the pressure has been reduced to approximately atmospheric pressure.

Compliance is checked by inspection and by manual test.

22.118 Pressurized appliances shall incorporate a vacuum release valve to prevent a partial vacuum forming unless it is designed for vacuum operation.

Compliance is checked by inspection.

22.119 Pressurized parts of appliances shall be capable of withstanding the **rated pressure**.

*Compliance is checked by subjecting the pressurized parts for 30 min to a hydrostatic pressure equal to 1,5 times the **rated pressure**. All outlets are sealed and any pressure relief devices rendered inoperative. Means other than water may be used to create the hydrostatic pressure.*

During the test the pressurized parts shall show no signs of leaks or permanent deformation, nor shall they burst.

22.120 Appliances fitted with wheels or similar means shall be provided with an efficient means of locking while the appliance is stationary.

Compliance is checked by inspection and by the following test.

The appliance, fully loaded in accordance with the manufacturer's instructions, is placed on a plane inclined at 10° to the horizontal, with the locking mechanism applied. The appliance shall not move by more than 100 mm.

23 Internal wiring

This clause of Part 1 is applicable except as follows.

23.3 Addition:

*When the capillary tube of the **thermostat** is liable to flexing in normal use the following applies:*

- *where the capillary tube is fitted as part of the internal wiring, Part 1 applies;*
- *where the capillary tube is separate, it is subjected to 1 000 flexings at a rate not exceeding 30 per min.*

NOTE 101 If, in any of the above cases, it is not possible to move the movable part of the appliance at the given rate, due for example to the mass of the part, the rate of flexing may be reduced.

After the test, the capillary tube shall show no sign of damage within the meaning of this standard and no damage impairing its further use.

However, if a rupture of the capillary tube renders the appliance inoperative (fail-safe), separate capillary tubes are not tested, and those fitted as part of the internal wiring are not inspected for compliance with the requirements.

Compliance in this instance is checked by rupturing the capillary tube.

NOTE 102 Care must be taken to ensure that the rupture does not seal the capillary tube.

24 Components

This clause of Part 1 is applicable except as follows.

24.101 Connectors fitted to appliances shall not incorporate a **thermostat**.

Compliance is checked by inspection.

25 Supply connection and external flexible cords

This clause of Part 1 is applicable except as follows.

25.3 Addition:

Fixed appliances and appliances with a mass greater than 40 kg and not provided with rollers, castors or similar means shall be constructed so that the **supply cord** can be connected after the appliance has been installed in accordance with the manufacturer's instructions.

Terminals for permanent connection of cables to fixed wiring may also be suitable for the **type X attachment** of a **supply cord**. In this case a cord anchorage complying with 25.16 shall be fitted to the appliance.

If the appliance is provided with a set of terminals allowing the connection of a flexible cord, they shall be suitable for the **type X attachment** of the cord.

In both cases the instructions shall give full particulars of the power **supply cord**.

The connection to the supply wires of **built-in appliances** may be made before the appliance is installed.

Compliance is checked by inspection.

25.7 Modification:

Instead of the types of **supply cords** specified, the following applies.

Supply cords shall be oil-resistant, sheathed flexible cable not lighter than ordinary polychloroprene or other equivalent synthetic elastomer-sheathed cord (code designation 60245 IEC 57).

26 Terminals for external conductors

This clause of Part 1 is applicable.

27 Provision for earthing

This clause of Part 1 is applicable except as follows.

27.2 Addition:

Stationary appliances shall be provided with a terminal for the connection of an external equipotential conductor. This terminal shall be in effective electrical contact with all fixed exposed metal parts of the appliance, and shall allow the connection of a conductor having a nominal cross-sectional area of up to 10 mm². It shall be located in a position convenient for the connection of the bonding conductor after installation of the appliance.

NOTE 101 Small fixed exposed metal parts, for example nameplates and the like, are not required to be in electrical contact with the terminal.

28 Screws and connections

This clause of Part 1 is applicable.

29 Clearances, creepage distances and solid insulation

This clause of Part 1 is applicable except as follows.

29.2 Addition:

The microenvironment is pollution degree 3 and the insulation shall have a comparative tracking index (CTI) of not less than 250, unless the insulation is enclosed or located so that it is unlikely to be exposed to pollution during normal use of the appliance.

30 Resistance to heat and fire

This clause of Part 1 is applicable except as follows.

30.2.1 Modification:

The glow-wire test is carried out at 650 °C.

30.2.2 Not applicable

30.101 Filters, if any, of non-metallic materials intended for the absorption of grease are subjected to the burning test specified in ISO 9772 for category HBF material, if relevant, or shall be classified at least HB40 according to IEC 60695-11-10, except that the thickness of the specimen is the same as that in the appliance.

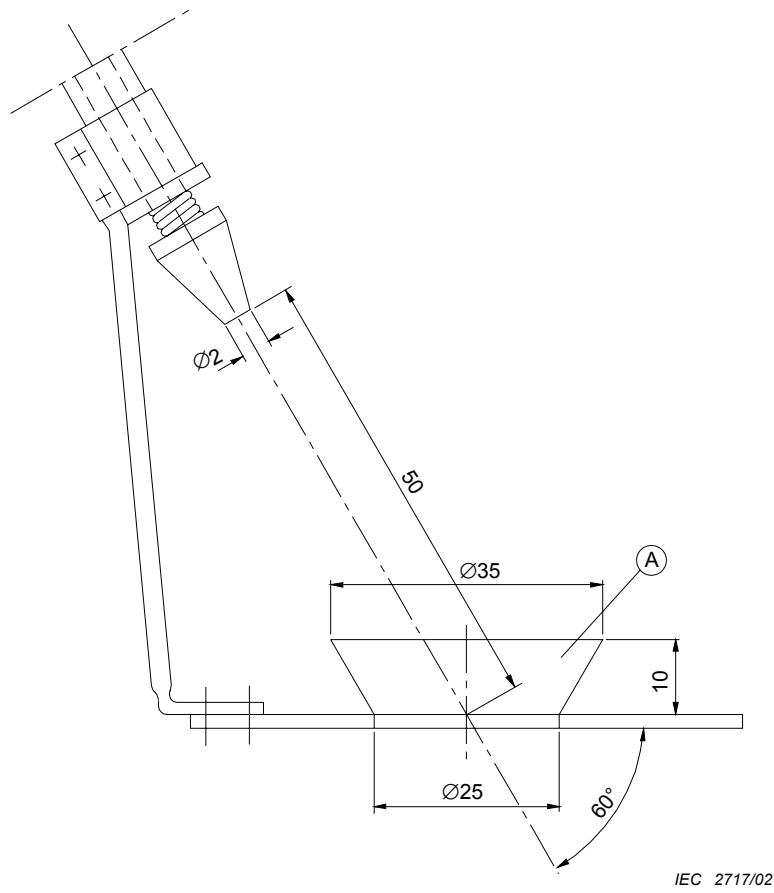
NOTE It may be necessary to support the specimen.

31 Resistance to rusting

This clause of Part 1 is applicable.

32 Radiation, toxicity and similar hazards

This clause of Part 1 is applicable.



Dimensions in millimetres

Key

A Bowl

Figure 101 – Splash apparatus

Annexes

The annexes of Part 1 are applicable except as follows.

Annex N (normative)

Proof tracking test

6.3 *Addition:*

Add 250 V to the list of specified voltages.

Bibliography

The bibliography of Part 1 is applicable.



Standards Survey

The IEC would like to offer you the best quality standards possible. To make sure that we continue to meet your needs, your feedback is essential. Would you please take a minute to answer the questions overleaf and fax them to us at +41 22 919 03 00 or mail them to the address below. Thank you!

Customer Service Centre (CSC)

International Electrotechnical Commission

3, rue de Varembé

1211 Genève 20

Switzerland

or

Fax to: **IEC/CSC** at +41 22 919 03 00

Thank you for your contribution to the standards-making process.

A Prioritaire

Nicht frankieren
Ne pas affranchir



Non affrancare
No stamp required

RÉPONSE PAYÉE

SUISSE

Customer Service Centre (CSC)

International Electrotechnical Commission

3, rue de Varembé

1211 GENEVA 20

Switzerland



Q1 Please report on **ONE STANDARD** and **ONE STANDARD ONLY**. Enter the exact number of the standard: (e.g. 60601-1-1)

.....

Q2 Please tell us in what capacity(ies) you bought the standard (tick all that apply). I am the/a:

- purchasing agent
- librarian
- researcher
- design engineer
- safety engineer
- testing engineer
- marketing specialist
- other.....

Q3 I work for/in/as a: (tick all that apply)

- manufacturing
- consultant
- government
- test/certification facility
- public utility
- education
- military
- other.....

Q4 This standard will be used for: (tick all that apply)

- general reference
- product research
- product design/development
- specifications
- tenders
- quality assessment
- certification
- technical documentation
- thesis
- manufacturing
- other.....

Q5 This standard meets my needs: (tick one)

- not at all
- nearly
- fairly well
- exactly

Q6 If you ticked NOT AT ALL in Question 5 the reason is: (tick all that apply)

- standard is out of date
- standard is incomplete
- standard is too academic
- standard is too superficial
- title is misleading
- I made the wrong choice
- other

Q7 Please assess the standard in the following categories, using the numbers:

- (1) unacceptable,
- (2) below average,
- (3) average,
- (4) above average,
- (5) exceptional,
- (6) not applicable

- timeliness.....
- quality of writing.....
- technical contents.....
- logic of arrangement of contents
- tables, charts, graphs, figures.....
- other

Q8 I read/use the: (tick one)

- French text only
- English text only
- both English and French texts

Q9 Please share any comment on any aspect of the IEC that you would like us to know:

.....

.....

.....

.....

.....

.....

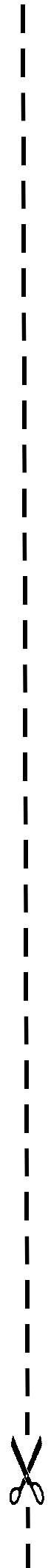
.....

.....

.....

.....

.....



ISBN 2-8318-6705-3



9 782831 867052

ICS 97.040.50

Typeset and printed by the IEC Central Office
GENEVA, SWITZERLAND