

UL 697

ISBN 0-7629-1012-7

Toy Transformers

.....

Underwriters Laboratories Inc. (UL)
333 Pfingsten Road
Northbrook, IL 60062-2096

UL Standard for Safety for Toy Transformers, UL 697

Sixth Edition, Dated October 13, 2004

Summary of Topics

This is the Sixth edition of ANSI/UL 697. This edition includes:

Revisions to the Scope with respect to the input rating

Revisions to Enclosure Abuse Testing, Crushing Test, Lifting Test, Leakage Current Test, and Tests using Maple Wood Blocks

New requirements for the Push-Back Relief Test, Package Labeling, Instruction Manual, and Alternative Spacings

Other editorial corrections.

The following table lists the future effective dates with the corresponding reference:

Future Effective Date	References
October 13, 2006	Section 53, Paragraphs 42.11, 54.4, and 54.5

The new requirements are substantially in accordance with UL's Bulletin(s) on this subject dated March 15, 2004 and July 27, 2004. The bulletin(s) is now obsolete and may be discarded.

As indicated on the title page (page 1), this UL Standard for Safety is an American National Standard. Attention is directed to the note on the title page of this Standard outlining the procedures to be followed to retain the approved text of this ANSI/UL Standard.

The UL Foreword is no longer located within the UL Standard. For information concerning the use and application of the requirements contained in this Standard, the current version of the UL Foreword is located on ULStandardsInfoNet at: <http://ulstandardsinfo.net.ul.com/ulforeword.html>

The master for this Standard at UL's Northbrook Office is the official document insofar as it relates to a UL service and the compliance of a product with respect to the requirements for that product and service, or if there are questions regarding the accuracy of this Standard.

UL's Standards for Safety are copyrighted by UL. Neither a printed copy of a Standard, nor the distribution diskette for a Standard-on-Diskette and the file for the Standard on the distribution diskette should be altered in any way. All of UL's Standards and all copyrights, ownerships, and rights regarding those Standards shall remain the sole and exclusive property of UL.

All rights reserved. No part of this publication may be reproduced, stored in a retrieval system, or transmitted in any form by any means, electronic, mechanical photocopying, recording, or otherwise without prior permission of UL.

Revisions of UL Standards for Safety are issued from time to time. A UL Standard for Safety is current only if it incorporates the most recently adopted revisions.

UL provides this Standard "as is" without warranty of any kind, either expressed or implied, including but not limited to, the implied warranties of merchantability or fitness for any purpose.

In no event will UL be liable for any special, incidental, consequential, indirect or similar damages, including loss of profits, lost savings, loss of data, or any other damages arising out of the use of or the inability to use this Standard, even if UL or an authorized UL representative has been advised of the possibility of such damage. In no event shall UL's liability for any damage ever exceed the price paid for this Standard, regardless of the form of the claim.

UL will attempt to answer support requests concerning electronic versions of its Standards. However, this support service is offered on a reasonable efforts basis only, and UL may not be able to resolve every support request. UL supports the electronic versions of its Standards only if they are used under the conditions and operating systems for which it is intended. UL's support policies may change from time-to-time without notification.

UL reserves the right to change the format, presentation, file types and formats, delivery methods and formats, and the like of both its printed and electronic Standards without prior notice.

Purchasers of the electronic versions of UL's Standards for Safety agree to defend, indemnify, and hold UL harmless from and against any loss, expense, liability, damage, claim, or judgement (including reasonable attorney's fees) resulting from any error or deviation introduced while purchaser is storing an electronic Standard on the purchaser's computer system.

If a single-user version electronic Standard was purchased, one copy of this Standard may be stored on the hard disk of a single personal computer, or on a single LAN file-server or the permanent storage device of a multiple-user computer in such a manner that this Standard may only be accessed by one user at a time and for which there is no possibility of multiple concurrent access.

If a multiple-user version electronic Standard was purchased, one copy of the Standard may be stored on a single LAN file-server, or on the permanent storage device of a multiple-user computer, or on an Intranet server. The number of concurrent users shall not exceed the number of users authorized.

Electronic Standards are intended for on-line use, such as for viewing the requirements of a Standard, conducting a word search, and the like. Only one copy of the Standard may be printed from each single-user version of an electronic Standard. Only one copy of the Standard may be printed for each authorized user of a multiple-user version of an electronic Standard. Because of differences in the computer/software/printer setup used by UL and those of electronic Standards purchasers, the printed copy obtained by a purchaser may not look exactly like the on-line screen view or the printed Standard.

An employee of an organization purchasing a UL Standard can make a copy of the page or pages being viewed for their own fair and/or practical internal use.

The requirements in this Standard are now in effect, except for those paragraphs, sections, tables, figures, and/or other elements of the Standard having future effective dates as indicated in the note following the affected item. The prior text for requirements that have been revised and that have a future effective date are located after the Standard, and are preceded by a "SUPERSEDED REQUIREMENTS" notice.

New product submittals made prior to a specified future effective date will be judged under all of the requirements in this Standard including those requirements with a specified future effective date, unless the applicant specifically requests that the product be judged under the current requirements. However, if

the applicant elects this option, it should be noted that compliance with all the requirements in this Standard will be required as a condition of continued Listing, Recognition, and Follow-Up Services after the effective date, and understanding of this should be signified in writing.

Copyright © 2004 Underwriters Laboratories Inc.

This Standard consists of pages dated as shown in the following checklist:

Page	Date
1-50	October 13, 2004
A1-A2	October 13, 2004

No Text on This Page

.....

OCTOBER 13, 2004



ANSI/UL 697-2004

1

UL 697

Standard for Toy Transformers

First Edition – September, 1973
Second Edition – February, 1975
Third Edition – January, 1986
Fourth Edition – June, 1993
Fifth Edition – May, 1998

Sixth Edition

October 13, 2004

The most recent designation of ANSI/UL 697 as an American National Standard (ANSI) occurred on September 14, 2004.

This ANSI/UL Standard for Safety, which consists of the Sixth edition is under continuous maintenance, whereby each revision is ANSI approved upon publication. Comments or proposals for revisions on any part of the Standard may be submitted to UL at any time. Written comments are to be sent to UL-RTP Standard Department, 12 Laboratory Dr., P.O. Box 13995, Research Triangle Park, NC, 27709-3995.

An effective date included as a note immediately following certain requirements is one established by Underwriters Laboratories Inc.

Revisions of this Standard will be made by issuing revised or additional pages bearing their date of issue. A UL Standard is current only if it incorporates the most recently adopted revisions, all of which are itemized on the transmittal notice that accompanies the latest set of revised requirements.

ISBN 0-7629-1012-7

COPYRIGHT © 1975, 2004 UNDERWRITERS LABORATORIES INC.

No Text on This Page

CONTENTS

INTRODUCTION

1 Scope	5
2 Components	5
3 Units of Measurement	6
4 Undated References	6
5 Glossary	6

CONSTRUCTION

6 General	6
7 Mechanical Assembly	7
8 Enclosure	8
8.1 General	8
8.2 Enclosure – direct plug-in type	12
9 Sharp Edges and Corners	17
10 Corrosion Protection	18
11 Exposed Parts	18
12 Coatings, Paints, Lacquers, and the Like	18
13 Insulating Material	19
14 Switches	19
15 Coil Insulation	19
16 Power Supply Connections	21
17 Output Connections	22
18 Strain Relief	23
19 Bushings	24
20 Internal Wiring	24
21 Spacings	25
22 Alternate Spacings	26
23 Separation of Circuits	26
24 Printed-Wiring Boards	27

PERFORMANCE

25 General	27
26 Leakage Current Test	28
27 Leakage Current and Dielectric Voltage-Withstand Test After Humidity Exposure	30
28 Open-Circuit Secondary Voltage Test	30
29 Power Input Test	31
30 Output Test	31
31 Heating Test	31
32 Output Loading Test	36
33 Component Breakdown Test	37
34 Printed-Wiring Board Abnormal Operation Test	37
35 Dielectric Voltage-Withstand Test	38
36 Push-Back Relief Test	38
37 Power Supply Strain Relief Test	39
38 Output Strain Relief Test	39
39 Endurance Test	40
40 Overload Test on Primary Switches	40

41 Overload Test on Secondary Switches 40
 42 Abuse Test 41
 43 Direct Plug-In Blade Secureness Test 42
 44 Direct Plug-In Security of Input Contacts Test 42
 45 Rod Pressure Test on Direct Plug-In Units 43
 46 Resistance to Crushing Test on Direct Plug-In Units 43
 47 Handles and Knobs Test 43

MANUFACTURING AND PRODUCTION TESTS

48 Details 44

RATINGS

49 General 45

MARKINGS

50 General 45
 51 Flexible-Film Bags 46
 52 Form 47
 53 Package Labeling 48

INSTRUCTIONS

54 General 49

APPENDIX A

Standards for Components..... A1

INTRODUCTION

1 Scope

1.1 These requirements cover toy transformers designed to be used on nominal 120-V branch circuits. A toy transformer is a step-down isolating transformer of the low-secondary-voltage type. It is intended primarily to supply current to electrically operated toys, and as such is expected to be subjected to careless use and probable short circuit of the secondary terminals. Accordingly, the design of a toy transformer takes into consideration the rather unusual risk of fire that may be involved, and the construction is made to reduce the risk of fire with respect to the ignition of nearby combustible material as the result of overheating or eventual inoperative condition of the transformer itself.

1.2 These requirements do not cover toys or the like designed to operate from the secondary output of a toy transformer.

1.3 Toy transformers marked "Class 2" are evaluated to the requirements in the Standard for Class 2 Power Units, UL 1310, and to the requirements in this Standard.

2 Components

2.1 Except as indicated in 2.2, a component of a product covered by this standard shall comply with the requirements for that component. See Appendix A for a list of standards covering components generally used in the products covered by this standard.

2.2 A component is not required to comply with a specific requirement that:

- a) Involves a feature or characteristic not required in the application of the component in the product covered by this standard, or
- b) Is superseded by a requirement in this standard.

2.3 A component shall be used in accordance with its rating established for the intended conditions of use.

2.4 Specific components are incomplete in construction features or restricted in performance capabilities. Such components are intended for use only under limited conditions, such as certain temperatures not exceeding specified limits, and shall be used only under those specific conditions.

3 Units of Measurement

3.1 Values stated without parentheses are the requirement. Values in parentheses are explanatory or approximate information.

4 Undated References

4.1 Any undated reference to a code or standard appearing in the requirements of this standard shall be interpreted as referring to the latest edition of that code or standard.

5 Glossary

5.1 For the purpose of this Standard the following definitions apply.

5.2 ENCLOSURE – Any surface or surrounding structure that makes unlikely any access to a real or potential risk of fire, electric shock, or injury to persons.

5.3 ORDINARY TOOL – Pliers, flat-bladed and Phillips-head screw drivers are considered to be ordinary tools.

CONSTRUCTION

6 General

6.1 Only materials that reduce the risk of fire, electric shock, and injury to persons, and are intended for the particular use shall be used in a transformer. A transformer shall be made and finished with the degree of uniformity and grade of workmanship that are practicable in a well-equipped factory.

6.2 A thermostat incorporated in a transformer shall not increase the risk of fire or electric shock due to improper application. If a thermostat is relied upon to satisfy the requirements of this standard, its acceptability shall be determined by the Standard for Temperature-Indicating and -Regulating Equipment, UL 873.

6.3 A thermal cutoff incorporated in a transformer shall not increase the risk of fire or electric shock due to improper application. If relied upon to satisfy the requirements of this standard, its acceptability shall be determined by the Standard for Thermal Cutoffs for Use in Electrical Appliances and Components, UL 1020.

6.4 There shall be no electrical connection between the primary and secondary windings of a toy transformer, or between a secondary circuit and the enclosure.

7 Mechanical Assembly

7.1 A toy transformer shall be formed and assembled so that it has the strength and rigidity necessary to resist the abuses to which it is subjected, without producing or increasing the risk of fire, electric shock, or injury to persons due to total or partial collapse with resulting reduction of spacings, loosening or displacement of parts, or other serious defects. See also 42.1.

7.2 A transformer shall have all parts secured in place.

7.3 A transformer shall be constructed so that it is not necessary to open or remove the enclosure during use.

7.4 Each switch, lampholder, and similar component shall be mounted securely and, except as noted in 7.5 and 7.6 for certain switches and lampholders, shall be kept from turning in accordance with 7.7.

7.5 A plunger or other type of nontoggle switch that does not tend to rotate when operated and that is operated by mechanical means rather than by direct contact by persons need not be kept from turning if both of the following conditions are met:

- a) The means by which the switch is mounted is such as to make it unlikely that the switch can loosen as a result of being operated.
- b) Rotation of the intentionally loosened switch does not reduce spacings below the minimum acceptable values.

7.6 A lampholder of a type in which the lamp cannot be replaced (such as a neon pilot or indicator light in which the lamp is sealed in by a nonremovable jewel) need not be kept from turning if rotation cannot reduce spacings below the minimum acceptable values or produce stress on a connection.

7.7 A switch or other similar component shall be securely mounted and kept from turning, unless the turning of such a component is part of the design of the transformer, and introduces no additional risk of injury to persons, fire, or electric shock – such as reduced spacings below minimum acceptable values, or stress on a connection.

7.8 The mounting means noted in 7.7 is to consist of more than friction between surfaces. For example, the correct use of a lock washer or a keyed and notched insert plus a lock washer for a single-hole mounting is considered acceptable.

7.9 A replaceable pilot lamp in a transformer shall be of the incandescent type, shall be wired in the secondary circuit, and shall not have a potential difference greater than 30 V rms (42.4 V peak) between any of its electrodes or lampholder contacts and any other part or ground. During relamping, the enclosure shall comply with 8.1.2 and 8.1.3.

7.10 A nonreplaceable pilot lamp, such as an indicating type of overload or short-circuit protector, a neon light, or an indicator light, is one in which the lamp is sealed-in, such as by a nonremovable jewel. Such a lamp may be in the primary circuit.

7.11 A protective device, built into a toy transformer, shall comply with the requirements for that component. See also 6.2 and 6.3.

7.12 Protective devices covered by 7.11 include fuses, overtemperature and overcurrent protectors, eutectic material, and similar devices intended to interrupt the flow of current as a result of transformer overload. A protective device that is relied upon shall not be replaceable. A protective device that is not relied upon may be replaceable provided it is wired in the secondary circuit and is replaceable without opening the enclosure.

7.13 A switch in the primary circuit or an overcurrent-protective device shall be located within the transformer enclosure in such a manner that is not accessible or exposed to tampering or subject to damage during normal use. This requirement does not apply to the actuating means of a switch.

7.14 If the exterior part of the switch or control forms part of a transformer enclosure, those parts shall comply with the requirements for abuse stated in 42.1.

7.15 The requirements stated in 7.13 shall also apply to the actuating means (toggle handle and the like) if the dislodging of such a part exposes live parts or film-coated magnet wire that can be contacted by the probe specified in 8.1.3.

8 Enclosure

8.1 General

8.1.1 In addition to the requirements in 8.1, a wall-mounted (direct plug-in type) transformer shall comply with the requirements in 8.2.

8.1.2 An enclosure containing a wire, splice, connection, or electrical component at a potential of more than 42.4 V peak to any other part or to ground shall:

- a) Be assembled by welding, riveting, the use of special screws that are not removable with an ordinary tool used in the intended manner, or the equivalent; and
- b) Have no opening that enables the entry of a straight rod 1/4 inch (6.4 mm) in diameter.

8.1.3 An enclosure shall have no opening through which a 0.010 inch (0.26 mm) diameter music wire can be inserted to contact a part at a potential of more than 42.4 V peak to any other part or to ground. A single bend in the wire is acceptable prior to insertion. A protective barrier that can be penetrated by the wire is not acceptable.

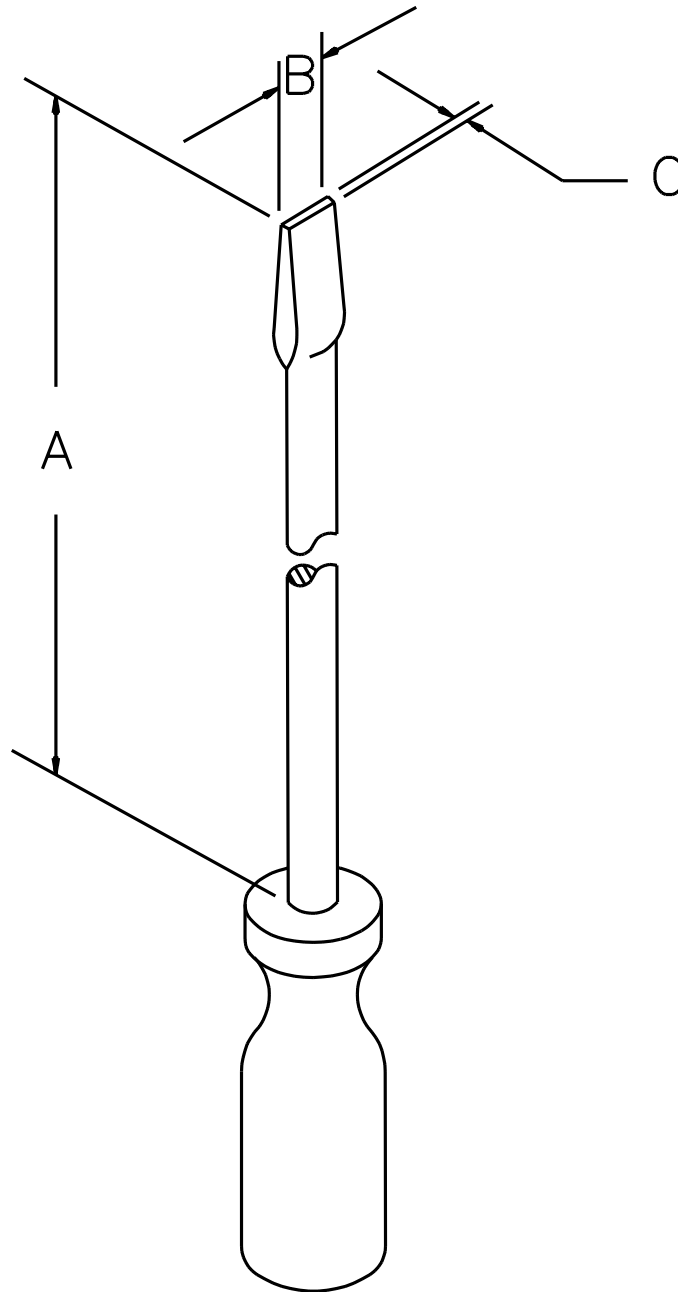
8.1.4 If access to the interior of a transformer presents a risk of fire, electric shock, or injury to persons of any sort, seams and joints of the enclosure shall be assembled by welding, riveting, the use of special screws or fasteners that are not removable by the use of an ordinary tool, or the equivalent. Bent tabs shall not be used unless they comply with 8.1.5 or are made inaccessible by a reliable hard covering such as potting, encapsulation, or the equivalent that would require drilling, filing, or the like for removal. A thermoplastic potting or encapsulating material shall comply with the applicable requirements in 42.1 – 42.8.

8.1.5 Cross-notch-head screws, spring clips, bent tabs, and the like are to be considered defeatable by an ordinary tool, except that bent tabs may be used if:

- a) The metal thickness of the tabs complies with 8.1.7; and
- b) The tabs are located in such a manner that they successfully resist attempts to open them by means of a screwdriver of the type shown in Figure 8.1.

The screwdriver is to be applied to each tab forcibly by hand as a lever prying and twisting, for 15 minutes at any angle and as many times as necessary to truly attempt to open the tab.

Figure 8.1
Bent tab screwdriver



SB1136

A – 6 inches (152 mm)

B – 1/8 inch (3.2 mm)

C – 0.023 ±0.002 inch (0.6 ±0.05 mm)

8.1.6 If an acceptable grade of vulcanized fiber is used as part of the enclosure for the support of secondary parts (terminals and the like), it shall not be more than is necessary to support the secondary parts in question, and the fiber shall not be less than 1/32 inch (0.8 mm) thick. Any fiber used shall not introduce a risk of fire, electric shock, or injury to persons as a result of abuse. See 42.1 for further specifications.

8.1.7 An enclosure constructed of sheet metal shall be formed from stock having a thickness not less than that specified in Table 8.1. The thickness of enclosure sheet metal other than steel or aluminum shall not be less than that specified in Table 8.1 for uncoated steel and shall have strength and rigidity.

Table 8.1
Thickness of sheet metal enclosure

Material	Minimum thickness	
	inches	(mm)
Uncoated steel	0.026	0.66
Zinc-coated steel	0.029	0.74
Aluminum	0.040	1.02

8.1.8 For unreinforced, flat surfaces in general, cast metal shall not be less than 1/8 inch (3.2 mm) thick, except that malleable iron may not be less than 3/32 inch (2.4 mm) thick, and die-cast metal may not be less than 5/64 inch (2.0 mm) thick. Corresponding thicknesses of not less than 3/32, 1/16, and 3/64 inch (2.4, 1.6, and 1.2 mm) respectively, may be used if the surface under consideration is curved, ribbed, or otherwise reinforced, or if the size, shape, or both, of the surface is such that adequate mechanical strength is provided.

8.1.9 A lanced tab provided for internal component mounting may have a small opening caused by die clearance if:

- a) The opening caused by the lanced tab is substantially closed by the mounted component;
- b) The lanced tab is located on the bottom surface of the enclosure only; and
- c) Film-coated magnet wire or live parts cannot be contacted by the probe specified in 8.1.3.

8.1.10 In addition to complying with the requirements in this standard, a polymeric enclosure shall be evaluated in accordance with the Standard for Polymeric Materials – Use in Electrical Equipment Evaluations, UL 746C.

8.1.11 A polymeric part that is decorative or otherwise is not involved with protection against the risk of fire, electric shock, or injury to persons, and either is larger in volume than 79 inches² (2000 mm²) or has a dimension longer than 1.2 inches (30 mm), shall be of a material whose flammability classification is HB when the material is tested as specified in the Standard for Tests for Flammability of Plastic Materials for Parts in Devices and Appliances, UL 94.

8.1.12 If a screen is used to cover an opening in a transformer enclosure, the force specified in 42.7 shall be applied to that screen.

8.1.13 The minimum thickness of a metal screen shall comply with 8.1.7.

8.1.14 A screen constructed of material other than metal shall comply with 8.1.10.

8.1.15 An adhesive that is used in the assembly of an enclosure and is relied upon to reduce a risk of electric shock, fire, or injury to persons shall comply with the requirements for adhesives in the Standard for Polymeric Materials – Use in Electrical Equipment Evaluations, UL 746C.

Exception: Any means using a fusion technique – solvent cementing, ultrasonic welding, electromagnetic induction welding, thermal welding, and the like, need not comply with the requirements for adhesives in UL 746C.

8.1.16 The requirement in 8.1.15 applies to an adhesive used to secure a metal nameplate or other conductive part that, if loosened or dislodged, could do one or more of the following:

- a) Energize an accessible dead metal part;
- b) Make a live part accessible;
- c) Reduce spacings below the minimum acceptable values; or
- d) Short-circuit live parts.

8.2 Enclosure – direct plug-in type

8.2.1 The maximum acceptable moment, center of gravity, dimensions, and weight of a direct plug-in unit shall comply with the following requirements (see also 8.2.2 and 8.2.3):

- a) The quotient of WY/Z shall not exceed 48 ounces (1361 g).
- b) The quotient of WY/S shall not exceed 48 ounces.
- c) The product of WX shall not exceed 80 ounce-inches (0.56 N·m).
- d) The weight of a unit shall not exceed 28 ounces (794 g).

8.2.2 Definitions for the symbols used in 8.2.1 are as follows:

S is the lesser of the two distances, S_1 or S_2 , as illustrated in Figure 8.2 in inches (mm).

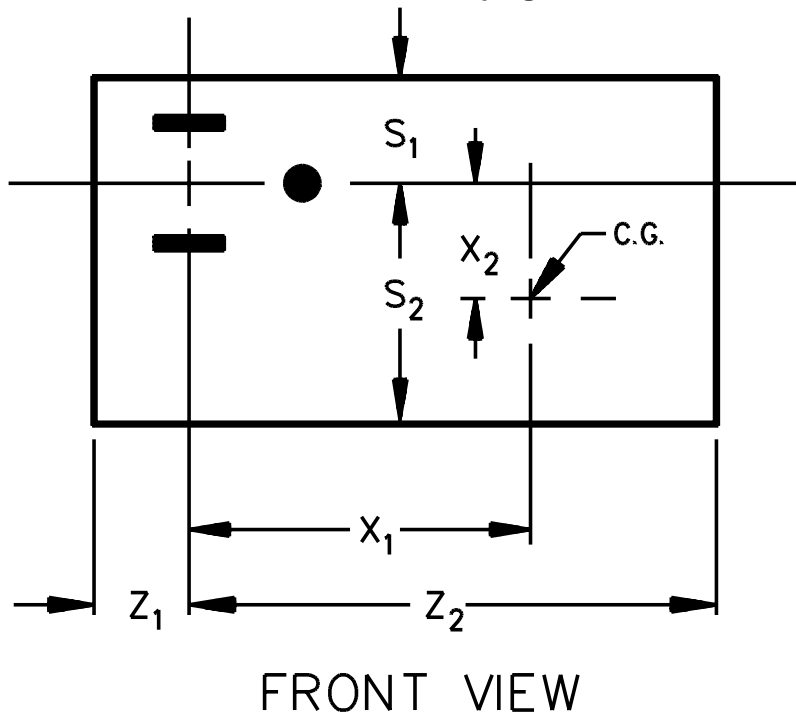
W is the weight of the unit in ounces (g).

X is the greater of the two distances, X_1 or X_2 , as illustrated in Figure 8.2 in inches (mm).

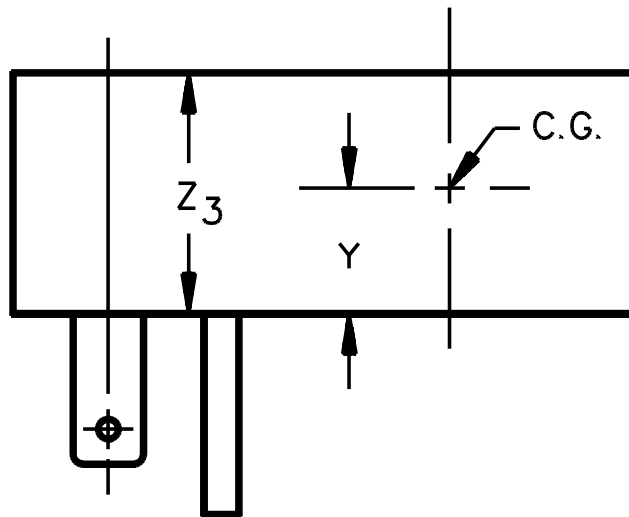
Y is the distance illustrated in Figure 8.2 in inches (mm).

Z is the lesser of the two distances, Z_1 or Z_2 , as illustrated in Figure 8.2 in inches (mm).

Figure 8.2
Dimensions of a direct plug-in unit



FRONT VIEW



SIDE VIEW

C.G. = Center of Gravity

CP100

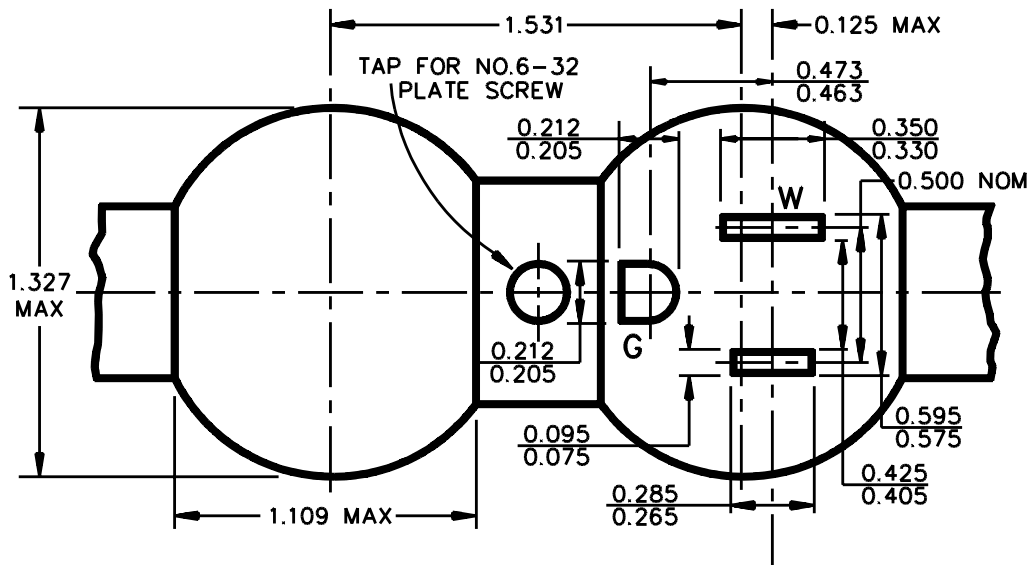
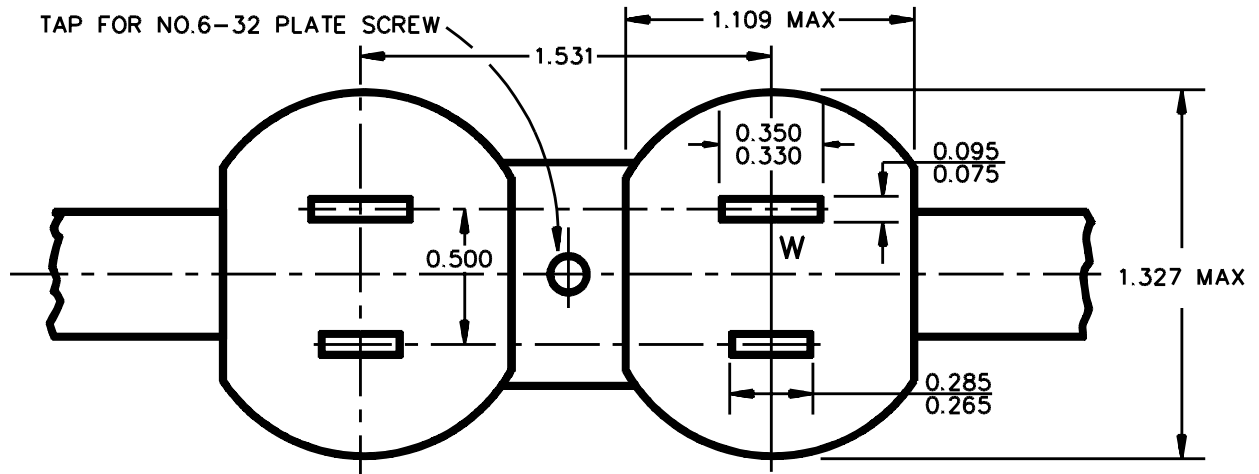
8.2.3 The moment and weight specified in 8.2.1 are to be determined as follows:

- a) For units with an output cord, the cord is to be cut off at the enclosure, or at the strain-relief means if the strain-relief means is outside the enclosure.
- b) For units with directly mounted accessories, the values are to be measured with the accessories in place.
- c) A mounting tab is not to be included in measurements of the linear dimensions for the purpose of determining moments unless:
 - 1) The tab and enclosure withstand the impact described in 42.2 with one impact on the tab itself, without deformation and
 - 2) For a polymeric enclosed unit having an integral tab, the tab and enclosure do not distort at temperatures to which the material may be subjected under conditions of normal and abnormal use as determined by the mold stress relief distortion test in the Standard for Polymeric Materials – Use in Electrical Equipment Evaluations, UL 746C.

8.2.4 When inserted in a duplex receptacle, no part of a direct plug-in unit, including a mounting tab or output wiring, shall interfere with full insertion of an attachment plug into the adjacent receptacle. See Figure 8.3.

Exception: This requirement does not apply to a unit that renders the adjacent receptacle completely unusable in any one mounting position.

Figure 8.3
125 V, 15 A Duplex receptacle



S2863A

8.2.5 A portable cord-connected unit intended for wall mounting shall employ key hole slots or the equivalent as a mounting means.

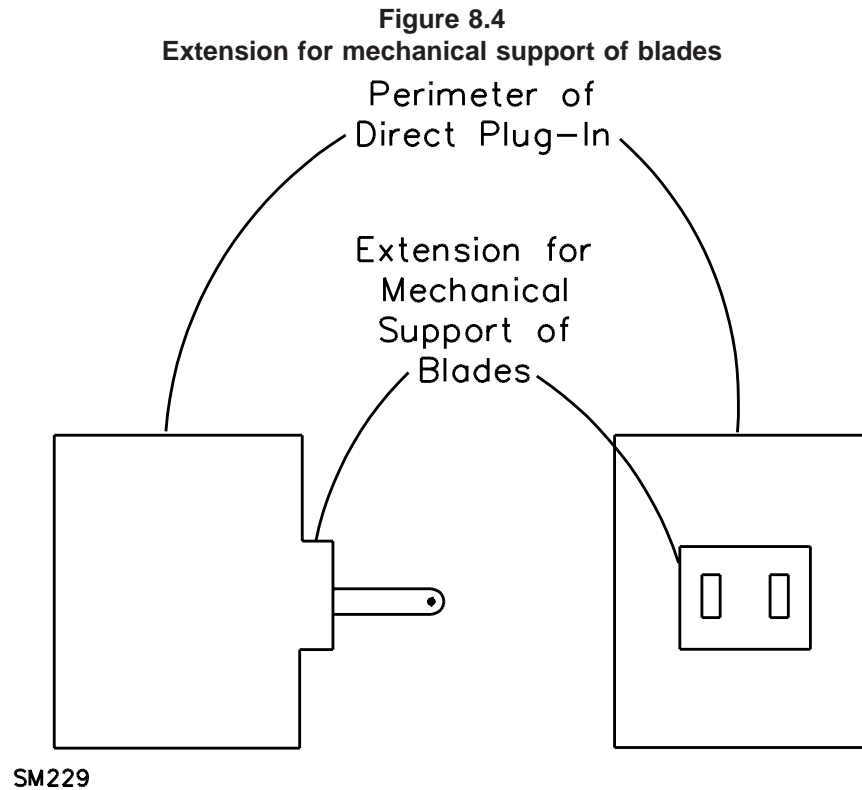
8.2.6 A mounting tab shall not be provided with a direct plug-in unit unless all of the following conditions are met:

- a) The unit is intended for use on a 15 A, 125 V receptacle;
- b) A screw is provided and constructed to secure the mounting tab of the unit to a duplex receptacle that has a center screw (see Figure 8.3);
- c) For a unit without a grounding pin, the mounting tab is constructed so that the unit can be mounted to both grounding and nongrounding receptacles; and
- d) The unit is marked as specified in 50.5.

8.2.7 The enclosure of a unit shall be capable of being gripped for removal from the receptacle to which it is connected, and the perimeter of the face section from which the blades project shall not be less than 5/16 inch (7.9 mm) from any point on either blade.

Exception: For tab-mounted units, the perimeter of the face section may not be less than 1/4 inch (6.4 mm) from any point on either blade.

8.2.8 With reference to 8.2.7, an extension from the face for mechanical support of the blades is not to be considered in the measurement if the extension measures 0.04 inch (1 mm) or less from the face section of the direct plug-in. See Figure 8.4.



9 Sharp Edges and Corners

9.1 An enclosure, a frame, a guard, a handle, or the like, shall not be sufficiently sharp to constitute a risk of injury to persons in maintenance and use.

9.2 Whenever referee measurements are necessary to determine that a part as described in 9.1 is not sufficiently sharp to constitute a risk of injury to persons, the method described in Standard for Tests for Sharpness of Edges on Equipment, UL 1439, is to be used.

10 Corrosion Protection

10.1 A part made of iron, or of a steel other than a stainless steel, shall be coated with enamel or a metal such as zinc or cadmium if corrosion of the part is likely to result in a risk of fire, electric shock, or injury to persons.

10.2 The requirement in 10.1 applies to every enclosing case and other part upon which proper mechanical function depends. It does not apply to laminations or to any iron or steel part that:

- a) Is small (a minor bolt, nut, washer, screw, or the like);
- b) Does not carry current; and
- c) Whose malfunction or removal as a result of corrosion cannot introduce a risk of fire, electric shock, or injury to persons.

11 Exposed Parts

11.1 A compound, material, ingredient, or the like used as an exposed part of a transformer shall be other than a hazardous substance.

11.2 A guide to the definition of a hazardous substance can be found in the Federal Hazardous Substances Act. The term hazardous substance is not considered to include food, drugs, or cosmetics, which are covered by the Federal Food, Drugs, and Cosmetics Act.

12 Coatings, Paints, Lacquers, and the Like

12.1 Except in the case of ink applied to a container for a transformer, a coating material (such as paint, enamel, lacquer, and hot stamped sheets) applied to a transformer shall not contain:

- a) Lead compounds of which the lead content (calculated as Pb) is in excess of 0.06 percent of the total weight of the contained solids (including pigments, film solids, and driers);
- b) Compounds of antimony, arsenic, cadmium, mercury, or selenium of which the metal content individually or in total (calculated as Sb, As, Cd, Hg, Se, respectively) is in excess of 0.06 percent by weight of the contained solids (including pigments, film solids, and driers); or
- c) Barium compounds of which the water soluble barium (calculated as Ba) is in excess of 1 percent of the total barium in such coatings.

13 Insulating Material

13.1 An insulating material for the support of live parts shall be acceptable for the specific application. Strength, flammability, arc resistance, moisture resistance, and resistance to hot wire ignition are to be considered.

13.2 Insulating material used in transformers incorporating a fusible link or thermostat, including barriers between parts of different potential and material that may be subject to the influence of an arc formed by the opening of the interruption mechanism, shall be acceptable for the particular application.

13.3 Hard fiber may be used for insulating bushings, washers, separators, and barriers, but not as the sole support of uninsulated primary live parts.

14 Switches

14.1 A switch or other control device shall be applicable for the use and shall have a rating not less than that of the load it controls. See 40.1.

14.2 A switch subjected to a temperature higher than 50°C (122°F) is to be evaluated with regard to the temperature limits of the materials used.

14.3 A switch on a transformer shall be located and protected so that it is not subject to mechanical damage during its use or as a result of abuse. See 42.1.

14.4 A switch or other control device not having an acceptable inductive rating and connected in the transformer secondary circuit is to be acceptable on the basis of the results of the Heating Test, Section 31, and the Overload Test on Secondary Switches, Section 41.

15 Coil Insulation

15.1 A coil shall be provided with insulation between the coil and any dead-metal part, and between each adjacent pair of windings.

Exception: Two or more secondary windings may be considered as a single winding and interposing insulation shall not be required, if, when interconnected, the windings comply with the performance requirements for a single winding.

15.2 Coil insulation, unless inherently moisture-resistant, shall be treated to render it moisture-resistant. Film-coated magnet wire is considered moisture-resistant.

15.3 Insulation between uninsulated, primary wires of opposite polarity shall be provided and shall be one of the following:

- a) Electrical grade paper, waxed or otherwise treated to resist the absorption of moisture, having a total thickness of not less than 0.013 inch (0.33 mm).
- b) Other insulating material mechanically and thermally equivalent to that of (a) and having a dielectric breakdown strength of not less than 2500 V in the thickness used.

Exception: Insulation is not required if the spacings specified in 21.1 are provided.

15.4 Insulation between the primary and secondary windings shall be one of the following (for additional requirements applicable to flanged bobbin-wound transformers, see 15.5):

- a) Electrical grade paper, waxed or otherwise treated to resist the absorption of moisture, having a total thickness of not less than 0.013 inch (0.33 mm).
- b) A polymeric coil form having a thickness of not less than 0.025 inch (0.64 mm).
- c) Insulation as specified in 15.3(b).

15.5 A flanged, bobbin-wound transformer having the primary winding wound over the secondary winding or the secondary winding wound over the primary winding and the primary insulated from the secondary winding by a layer of insulating material, shall comply with the following:

- a) The insulation shall have a continuous 1/32-inch (0.8-mm) wide bent-up edge against both bobbin end flanges and
- b) The tests described in the Output Loading Test, Section 32, shall be continued for 5 days.

15.6 Insulation between the primary winding and the core shall be provided and shall be one of the following:

- a) Electrical grade paper, waxed or otherwise treated to resist moisture, having a total thickness of not less than 0.013 inch (0.33 mm);
- b) A polymeric coil form having a thickness of not less than 0.025 inch (0.64 mm); or
- c) Insulation as specified in 15.3(b).

15.7 Insulation between the primary-winding lead connections and a metal enclosure shall be provided and shall be one of the following:

- a) Electrical grade paper, waxed or otherwise treated to resist the absorption of moisture, not less than 0.013 inch (0.30 mm) thick if used in conjunction with an air spacing of one-half that specified in 21.1.
- b) Electrical grade paper, waxed or otherwise treated to resist the absorption of moisture having a total thickness of not less than 0.028 inch (0.71 mm) when the insulation is in contact with the metal enclosure.
- c) Insulation that is thermally and mechanically equivalent to that in (a) and (b) having a dielectric breakdown strength of 2500 V and 5000 V in the thickness specified in (a) and (b), respectively.

Exception: Insulation is not required if the spacings specified in 21.1 are provided.

15.8 Insulation between a crossover lead and the turns of the winding to which it is connected, the adjacent winding, the metal enclosure, and the core shall be one of the following:

- a) Electrical grade paper, waxed or otherwise treated to resist the absorption of moisture, having a total thickness of not less than 0.013 inch (0.33 mm); or
- b) Insulation as required by 15.3(b).

Exception No. 1: Insulation is not required if the spacings specified in 21.1 are provided.

Exception No. 2: This requirement does not apply to insulation between a secondary crossover lead and:

- a) The secondary winding to which the crossover lead is connected;*
- b) The metal enclosure; and*
- c) The core.*

15.9 Insulation between the primary-lead connections and the adjacent winding, and between secondary-lead connections and the primary winding shall be one of the following:

- a) Electrical grade paper, waxed or otherwise treated to resist the absorption of moisture, having a total thickness of not less than 0.028 inch (0.71 mm); or
- b) Other insulating materials mechanically and thermally equivalent to that in (a) and having a dielectric breakdown strength of not less than 5000 V.

16 Power Supply Connections

16.1 A flexible cord provided on a transformer for connection to the power supply circuit shall:

- a) Not be detachable from the transformer;
- b) Not be less than 5 feet (1.5 m) or more than 10 ft (3.0 m) long;
- c) Not be smaller than 18 AWG (0.82 mm²);
- d) Be of a Type SP-2, SPT-2, SPE-2, or heavier construction; and
- e) Not include means for grounding.

16.2 An attachment plug shall be provided on the end of the cord for connection to the power supply circuit receptacle. The attachment plug shall not include a grounding means.

16.3 The perimeter of the face of the attachment plug shall not be less than 5/16 inch (7.9 mm) from any point on either blade of the plug.

16.4 The body of the attachment plug shall reduce in cross section from the face and shall be provided with an effective finger grip. The finger grip may be in the form of:

- a) A substantial closed loop into which a finger can be inserted to pull on the plug;
- b) An expansion of the body a distance back from the reduction in cross section; or
- c) The equivalent.

16.5 The length specified in 16.1 is to be taken as the overall length of the cord outside the overall enclosure of the transformer. The length is to include the attachment plug but not the blades on the plug and is to be measured to the plane of the cord-entry hole in the transformer.

17 Output Connections

17.1 A transformer having a flexible cord connection to the power supply circuit as specified in 16.1 shall be provided with wire-binding screws, stud terminals, jacks, fittings, or with a flexible cord or appliance wiring material having a construction and characteristics at least equivalent to Types SP-1 and SPT-1.

17.2 The cord is to be permanently attached to the output circuit of a transformer and is to be terminated in a fitting. The cord and its termination shall comply with 18.1 and 18.3.

17.3 An output fitting having female contacts shall be constructed so that it does not receive the blades of a standard attachment plug. An output fitting having male contacts shall be constructed so that the contacts do not touch live parts of a standard attachment-plug receptacle.

17.4 The output-circuit cord specified in 17.1 may have conductors smaller than 18 AWG (0.82 mm²) if:

- a) The cord is otherwise equivalent to those types and is not smaller than 24 AWG (0.21 mm²); and
- b) The transformer output current does not exceed 8 A under any condition of loading including short circuit.

17.5 A terminal plate tapped for a wire-binding screw or stud shall be of brass or other nonferrous metal, or plated steel, not less than 0.030 inch (0.76 mm) thick, and shall provide not less than two full threads in the metal for the binding screw.

17.6 A wire-binding screw or terminal stud shall not be smaller than No. 6 (3.5 mm diameter) and shall have not more than 32 threads per inch (10 threads per 8 millimeters). The screw and stud shall be of brass or other nonferrous metal, or plated iron or steel.

17.7 A wire-binding screw or other means for making output wiring connections shall not be completely removable if such removal results in an opening as described in 8.1.3.

17.8 An output terminal stud shall not be capable of being turned on its mount by the normal making and removal of external wiring connections by the user. More than just friction between surfaces is to be used to secure the stud against turning.

17.9 A lockwasher or similar means of securing an output terminal stud against turning is to be tested by first applying a torque of 20 lbf-in (2.26 N·m) to the terminal in the direction of tightening the external wiring connection and then, after 10 seconds, fully loosening the connection. The stud is not to turn, there is to be no strain on any internal connection, and no opening as described in 8.1.3 is to result.

18 Strain Relief

18.1 Strain relief shall be provided to keep mechanical stress on a flexible cord from being transmitted to terminals, splices, or interior wiring.

18.2 A metal strain-relief clamp or band on a power supply cord is acceptable with Type SP-2 cord only if acceptable auxiliary insulation is provided over the cord for mechanical protection. Unless acceptable for the purpose, clamps of any material (metal or otherwise) are not acceptable for use on Type SPT-2 cord, except that, if the cord is protected by varnished-cloth tubing or the equivalent over the clamp, the construction may be accepted. For heavier types of thermoplastic-insulated cord, clamps may be used; in such cases, the auxiliary insulation is not required unless it is judged that the construction of the clamp damages the cord insulation.

18.3 Means shall be provided to prevent the supply cord from being pushed into the enclosure through the entry hole when such displacement results in:

- a) Subjecting the cord to mechanical damage;
- b) Exposing the cord to a temperature higher than that for which it is rated;
- c) Reducing spacings below the minimum required values; or
- d) Damaging internal connections or components.

To determine compliance, the cord shall be tested in accordance with Section 36, Push-Back Relief Test.

18.4 A knot in a power supply flexible cord shall not be used as the means of strain relief except when associated with a loop around a smooth, fixed structural component. The surface against which the knot may bear or with which it may come in contact shall be free from projections, sharp edges, burrs, fins, and the like, that may cause abrasion of the cord.

19 Bushings

19.1 At the point at which a supply cord passes through an opening in a wall, barrier, or the overall enclosure, there shall be a bushing or the equivalent that shall be substantial, secured in place, and have a smooth, well-rounded surface against which the cord can bear. If a cord other than Type S, SO, ST, SJ, SJO, HSJ, SV, SJE, or SVT, or equivalent jacketed cord is used and the wall or barrier is of metal, an insulating bushing shall be provided.

19.2 If the cord hole is in wood, porcelain, phenolic composition, or other insulating material, the surface of the hole is acceptable without an added bushing if the edges of the hole are smooth and well-rounded.

19.3 Where a separate insulating bushing is required, a bushing made of ceramic material or a molded composition is acceptable. In no case is a separate bushing of wood, rubber, or any of the hot-molded, shellac-and-tar compositions acceptable.

20 Internal Wiring

20.1 The insulation on lead wires shall be rated for the voltage involved and the highest temperature reached under any condition of actual use. Wire insulation shall have a "VW-1" rating. Sleeving and tubing used on wire leads shall be marked "VW-1." Tape used on lead wires shall be flame-resistant.

20.2 Wiring within a compartment or raceway or anywhere else within the overall enclosure shall be located away from or protected against any contact with a sharp edge, burr, fin, moving part, or other item that can damage the wiring.

20.3 Each splice and connection shall be mechanically secure, shall provide positive and reliable electrical contact, and shall be provided with insulation at least equivalent to that of the wire involved unless adequate permanent spacings that comply with Spacings, Section 21, are provided between the splice and every other metal part.

20.4 A wire connector for making a splice in a transformer shall be a type that is applied by a tool, and in which the application force of the tool is independent of the force applied by the operator of the tool.

20.5 The wire connector referred to in 20.4 is any type connector, whether secured by twisting, crimping, or mechanical means.

20.6 Soldered connections shall be made mechanically secure before soldering.

20.7 A current-carrying part shall be of silver, copper, a copper alloy, or other electrically conductive material applicable for the use.

20.8 The connection between a lead (including a flexible cord) and the winding or other part of a transformer shall be soldered, welded, or otherwise equivalently connected within the enclosure.

21 Spacings

21.1 The spacings between uninsulated live parts of opposite polarity, between an uninsulated live part and an accessible dead metal part, between primary and secondary parts, and between uninsulated primary and secondary windings shall not be less than those specified in Table 21.1. These requirements do not apply to spacings between turns of a winding.

Exception No. 1: Spacings between traces on a printed-wiring board need not comply with Table 21.1 if the printed-wiring board complies with 24.3 and the Printed-Wiring Board Abnormal Operation Test, Section 34. This exception does not apply to the minimum required spacings on the printed-wiring board between live parts and dead metal parts or the spacings between primary and secondary circuits.

Exception No. 2: As an alternative to the spacing requirements of 21.1, the spacing requirements in the Standard for Insulation Coordination Including Clearances and Creepage Distances For Electrical Equipment, UL 840, may be used. See Section 22, Alternate Spacings. The spacing requirements of UL 840 shall not be used for output wiring terminals and spacings to a dead metal enclosure.

Table 21.1
Minimum spacings

Potential involved	Through air		Over surface	
	inch	(mm)	inch	(mm)
0 – 50	1/16	1.6	1/16	1.6
51 – 125	1/8	3.2	1/4	6.4

21.2 An insulating barrier or liner used to provide spacings shall be of material intended for the particular application and not less than 0.028 inch (0.71 mm) thick.

Exception No. 1: A barrier or liner used in conjunction with not less than half the required spacing through air may be less than 0.028 inch thick, but not less than 0.013 inch (0.33 mm) thick if the barrier or liner is of an insulating material that is:

- a) Resistant to moisture;*
- b) Of adequate mechanical strength (if exposed or otherwise likely to be subjected to mechanical damage);*
- c) Reliably held in place; and*
- d) Located so that it is not affected adversely by operation of the toy transformer – particularly arcing.*

Exception No. 2: A barrier or liner may be less than 0.028 inch thick but not less than 0.010 inch (0.25 mm) thick in the secondary circuit where the potential is not more than 50 V if it is resistant to moisture, of adequate mechanical strength (if exposed or otherwise likely to be subjected to mechanical damage), and effectively held in place.

21.3 Insulating material having a thickness less than that specified in 21.2 may be used if, upon testing, it is acceptable for the application, and is equivalent in all respects to materials of the thickness contemplated in 21.2.

21.4 For the purpose of evaluating spacings, wire that is coated with an insulating film is to be considered as an uninsulated (bare) live part.

22 Alternate Spacings

22.1 With reference to Exception No. 2 of 21.1, the spacing requirements in the Standard for Insulation Coordination Including Clearances and Creepage Distances for Electrical Equipment, UL 840, may be used. The spacing requirements of UL 840 shall not be used for field wiring terminals or for spacings to a dead metal enclosure. In determining the pollution degree and overvoltage category, the end-use application is to be evaluated and may modify those characteristics given in 22.2 and 22.3.

22.2 The level of pollution expected or controlled for indoor use equipment is pollution degree 2. Hermetically sealed or encapsulated enclosures, or coated printing wiring boards in compliance with the Printed Wiring Board Coating Performance Test of the Standard for Insulation Coordination Including Clearances and Creepage Distances for Electrical Equipment, UL 840, are pollution degree 1.

22.3 It is anticipated the equipment is rated overvoltage category II and overvoltage category I as defined in the Standard for Insulation Coordination Including Clearances and Creepage Distances for Electrical Equipment, UL 840.

22.4 In order to apply Clearance B (controlled overvoltage) clearances, control of overvoltage shall be achieved by providing an overvoltage device or system as an integral part of the product.

22.5 For the purpose of applying this alternative, all printed-wiring boards are evaluated as having a minimum comparative tracking index of 100 without further investigation.

23 Separation of Circuits

23.1 Unless provided with insulation rated for the highest voltage involved, insulated conductors of different circuits – internal wiring – shall be separated by barriers or shall be segregated and shall, in any case, be separated or segregated from uninsulated live parts connected to different circuits.

23.2 Segregation of insulated conductors may be accomplished by clamping, routing, or equivalent means that provides permanent separation from an insulated or uninsulated live part of a different circuit.

23.3 A barrier used to separate or segregate internal wiring shall have mechanical strength and be held in place to provide permanent separation, and shall be acceptable for the temperatures involved.

24 Printed-Wiring Boards

24.1 A printed-wiring board in a toy transformer shall comply with the requirements in the Standard for Printed-Wiring Boards, UL 796. A toy transformer with openings in the enclosure shall have a printed-wiring board with a flammability rating of V-0 or V-1. A toy transformer without openings in the enclosure shall have a printed-wiring board with a flammability rating of V-0, V-1, or V-2. See the Standard for Tests for Flammability of Plastic Materials for Parts in Devices and Appliances, UL 94.

24.2 A resistor, capacitor, inductor, and the like, that is mounted on a printed-wiring board to form a printed-circuit assembly shall be secured so that it cannot be readily displaced to increase the risk of electric shock. See the Abuse Test, Section 42.

24.3 A printed-wiring board complying with Exception No. 1 of 21.1 shall also:

- a) Have a minimum flammability rating of V-0; and
- b) Be suitable for direct support of current-carrying parts in accordance with the Standard for Printed-Wiring Boards, UL 796.

PERFORMANCE

25 General

25.1 With regard to Table 25.1, a transformer sample may be used for more than one test if the previous test conducted did not damage the sample.

Table 25.1
Order of tests

Section	Test	Number of samples
26	Leakage Current	1
27	Leakage Current and Dielectric Voltage-Withstand After Humidity Exposure	1
28	Open-Circuit Secondary Voltage	1
29	Power Input	1
30	Output	1
31	Heating	3
32	Output Loading	1
33	Component Breakdown	1
34	Printed-Wiring Board Abnormal Operation	1
35	Dielectric Voltage-Withstand	1
36	Push-Back Relief Test	1
37	Power Supply Strain Relief	1
38	Output Strain Relief	1
39	Endurance	1
40	Overload on Primary Switches	1
41	Overload on Secondary Switches	1
42	Abuse	3
43	Direct Plug-In Blade Secureness	1

Table 25.1 Continued on Next Page

Table 25.1 Continued

Section	Test	Number of samples
44	Direct Plug-In Security of Input Contacts	1
45	Rod Pressure on Direct Plug-In Units	1
46	Resistance to Crushing on Direct Plug-In Units	1
47	Handles and Knobs	1

25.2 If the tests result in damage to the transformer, additional samples are to be provided to complete the test series.

25.3 Unless otherwise stated, values of current and voltage are root mean square (rms) for AC and average for DC.

25.4 Wherever cheesecloth is described in the abnormal tests, the cloth is to be bleached cheesecloth, running 14 – 15 yd²/lb (approximately 26 – 28 m²/kg) and having what is known in the trade as a "count of 32 by 28," that is, for any square inch 32 threads in one direction and 28 threads in the other direction (for any square centimeter, 13 threads in one direction and 11 in the other direction).

26 Leakage Current Test

26.1 A transformer, tested in accordance with 26.3 – 26.7 shall not have a leakage current higher than 0.5 mA.

26.2 Leakage current refers to all currents, including capacitively coupled currents, that may be conveyed between exposed surfaces and ground or other exposed surfaces of a transformer.

26.3 All exposed surfaces, including output terminals, are to be tested for leakage currents. The leakage currents from these surfaces are to be measured to the grounded supply conductor individually as well as collectively where simultaneously accessible, and from one surface to another where simultaneously accessible (except not from one output terminal to another). Parts are to be considered exposed surfaces unless guarded by an enclosure in accordance with Enclosure, Section 8. Surfaces are to be considered simultaneously accessible if they can be readily contacted by one or both hands of a person at the same time.

26.4 If a surface other than metal is used for the enclosure or part of the enclosure, the leakage current is to be measured using a metal foil with an area of 4 by 8 inches (10 by 20 cm) in contact with the surface. Where the surface is smaller than 4 by 8 inches, the metal foil is to be the same size as the surface. The metal foil is not to remain in place long enough to affect the temperature of the transformer.

26.5 The measurement circuit for leakage current is to be as shown in Figure 26.1. The measurement instrument is defined in (a) – (d). The meter actually used for a measurement need only indicate the same numerical value for a particular measurement as would the defined instrument. The meter used need not have all the attributes of the defined instrument.

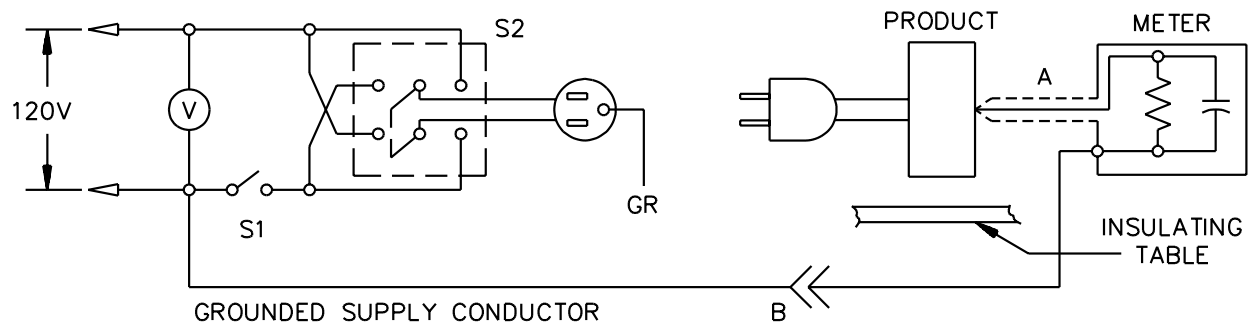
a) The meter is to have an input impedance of 1500 ohms resistive shunted by a capacitance of 0.15 μ F.

b) The meter is to indicate 1.11 times the average of the full-wave rectified composite waveform of voltage across the resistor or current through the resistor.

c) Over a frequency range of 0 – 100 kHz, the measurement circuitry is to have a frequency response (ratio of indicated to actual value of current) equal to the ratio of the impedance of a 1500 ohm resistor shunted by a 0.15 μF capacitor to 1500 ohms. At an indication of 0.5 mA, the measurement is to have an error of not more than 5 percent.

d) Unless the meter is being used to measure leakage from one part of the transformer to another, the meter is to be connected between the accessible parts and the grounded supply conductor.

Figure 26.1
Leakage-current measurement circuit



LC100

26.6 A sample of the transformer is to be tested for leakage current starting with the as-received condition, that condition being without prior energization except as may occur as part of the production-line testing. The supply voltage is to be adjusted to 110 percent of the rated voltage of the toy transformer or 120 V, whichever is greater. A resistance load is to be prepared in advance for the transformer. The load is to be separately adjusted to consume the transformer rated output (watts or volt-amperes) at rated voltage. This load is to be connected to the transformer output terminals prior to the start of the test sequence. The test sequence, with reference to the measurement circuit (Figure 26.1), is to be as follows:

- a) With switch S1 open, the transformer is to be connected to the measurement circuit. Leakage current is to be measured using both positions of switch S2, and with the transformer switching devices in all their positions.
- b) Switch S1 is then to be closed, energizing the transformer and the load on the output terminals, and within a period of 5 seconds the leakage current is to be measured using both positions of switch S2 and with the transformer switching devices in all their positions.

c) Leakage current is to be monitored until ultimate results are obtained. Both positions of switch S2 on the leakage current meter are to be used in determining compliance. Ultimate results are to be considered attained by operation for a period of 1 hour.

26.7 A sample is to be subjected to the complete leakage-current test program as covered in 26.6 without interruption for other tests. The transformer shall then comply with the Dielectric Voltage-Withstand Test, Section 35.

27 Leakage Current and Dielectric Voltage-Withstand Test After Humidity Exposure

27.1 A toy transformer is to be exposed for 48 hours to air having a relative humidity of 90 – 95 percent at a temperature of $32.0 \pm 2.0^{\circ}\text{C}$ ($89.6 \pm 3.6^{\circ}\text{F}$).

a) Following the initial leakage current test, the transformer is to be cooled down or heated up to 32°C (90°F).

b) The sample is then to be placed in a humidity chamber for 48 hours.

c) Following the exposure, while still in the test chamber, the transformer is to comply with the requirement in 26.1 in a repeat leakage current test. The test shall be discontinued when the leakage current stabilizes.

d) While at the humidity chamber temperature, the sample is to comply with the Dielectric Voltage-Withstand Test, Section 35, without prior heating.

27.2 Short-term temperature variations in the humidity chamber are to be held within narrow limits to eliminate the possibility of dropping below the dew point with resultant condensation on the transformer. To maintain the relative humidity within the prescribed limits, close control is required of temperature and moisture.

28 Open-Circuit Secondary Voltage Test

28.1 The open-circuit secondary voltage at the output connections of a transformer shall not be more than 110 percent of the rated value, and shall not be more than 30 V rms for a sinusoidal waveform, 42.4 V peak for a nonsinusoidal alternating current or continuous direct current, and 24.8 V for a direct current interrupted at the rate of 10 – 200 Hz when the primary is connected to the supply circuit of the rated input value or 120 V, whichever is greater. See 25.3.

28.2 Voltage measurements are to be made using a voltmeter having an internal impedance not less than 30,000 ohms per volt. When it is necessary to use an oscilloscope for determining the peak voltage for a nonsinusoidal alternating current, the output secondary terminals are to be shunted by a 1 megohm resistor.

28.3 If a transformer has more than one pair of secondary terminals, the open-circuit secondary voltage specified in 28.1 is to be measured with any combination of interconnection of the output terminals.

29 Power Input Test

29.1 The primary power input of a toy transformer shall not be more than 660 W when the transformer is connected to a supply circuit of 125 V and with any condition of secondary load, including the short-circuiting of any combination of or all secondary terminals.

29.2 To determine compliance with the requirement of 29.1, a variable resistance load is to be connected to the secondary terminals. A wattmeter is to be connected to measure the primary input. With the variable-resistance load adjusted to provide maximum input to the transformer, the supply circuit is to be de-energized and the unit allowed to cool to room temperature. The supply circuit is then to be energized and the reading of the wattmeter is to be taken 1 minute after the application of the voltage to the primary winding.

30 Output Test

30.1 The secondary power output of a transformer shall not be more than 190 W, and the current shall not be more than 30 A, when the transformer is connected to a supply circuit of 125 V and with any condition of secondary load, including the short-circuiting of any or all secondary terminals. The maximum wattage and current measurements are to be separate measurements. For each secondary circuit, when measuring more than one winding, measurements are to be under the severest loading conditions.

30.2 The measured power output of a transformer (in watts) shall not be less than 90 percent of the marked rating.

30.3 To determine whether a transformer complies with the requirements in 30.1 and 30.2, a variable-resistance load is to be connected to the secondary terminals, and a wattmeter and ammeter are to be used for measuring the secondary output (see 25.3). The variable-resistance load is to be adjusted to draw maximum wattage and current, respectively, from the transformer. For a transformer with more than one output, it may be necessary to use one or more variable-resistance adjustments to obtain maximum current values. These measurements are to be made separately. The transformer is to be at room temperature at the beginning of the test, and readings of the meter are to be taken 1 minute after the application of voltage to the primary winding.

31 Heating Test

31.1 When tested under the conditions described in 31.2 – 31.16, a transformer shall not:

- a) Attain a temperature at any point that constitutes a risk of fire, electric shock or injury to persons;
- b) Damage any material used; and
- c) Show a greater temperature rise at specific points than indicated in Table 31.1.

Table 31.1
Maximum temperature rises

Material	°C	°F
1. Rubber- or thermoplastic-insulated conductors ^a	35	63
2. Fiber used as electrical insulation	65	117
3. Varnished-cloth insulation	60	108
4. Phenolic composition ^a	125	225
5. Wood or other similar material	65	117
6. Class 105 insulation systems on windings		
Resistance method	85	153
Thermocouple method ^b	65	117
7. Class 130 insulation systems on windings		
Resistance method	95	171
Thermocouple method	85	153
8. Surface temperature ^c		
a) Metal and other materials with thermal inertia greater than 0.0045	30	54
b) Glass and other materials with thermal inertia greater than 0.0005 but not more than 0.0045	40	72
c) Plastic and other materials with thermal inertia greater than 0.0001 but not more than 0.0005 ^d	50	90
9. Silicon rectifier	75 ^e	135 ^e
10. Selenium rectifier	50 ^{e,f}	90 ^{e,f}
11. Capacitors less than the marked limit	g	g

^a The limitation on phenolic composition and on rubber and thermoplastic insulation does not apply to compounds that have been investigated and found to have special heat-resistant properties. The maximum acceptable temperature rise in any case is 25°C (77°F) less than the acceptable temperature limit in question.

^b 125°C (225°F) during the first hour with output short circuited when recycling or manually resettable protector used.

^c The thermal inertia of a material can be obtained by multiplying the thermal conductivity (calories/centimeters/seconds/°C) by the density (grams/centimeters³) by the specific heat (calories/grams/°C). The thermal conductivity of a material can be obtained by comparison with a material whose thermal conductivity is known. Samples of materials with known values of the constant and a sample of the material to be classified, all samples having the same dimensions, are to be fixed to a heated metal plate. The temperatures of the reference samples are to be plotted as a function of the constant. The constant of a material to be classified is to be derived from this curve by reading off the value corresponding to the temperature attained by the sample under investigation.

^d Includes plastic with a metal plating not more than 0.0005 inch (0.013 mm) thick; and metal with a plastic or vinyl covering not less than 0.005 inch (0.13 mm) thick.

^e The limitation does not apply to a material that has been evaluated and determined to be acceptable for a higher temperature.

^f A temperature rise of 60°C (108°F) is acceptable if the stack assembly is insulated with phenolic composition or other insulating material that is acceptable for a temperature of 150°C (302°F).

^g Marked temperature limit of the capacitor minus 25°C (77°F). If a capacitor has no marked temperature limit, the maximum temperature rise is 40°C (72°F) for an electrolytic type and 65°C (117°F) for other types.

31.2 To determine whether a transformer complies with the requirements in 31.1, three samples are to be operated as described below until constant temperatures are obtained, or until burnout occurs as indicated in 31.4, first under "defined loading," and then under short-circuit conditions:

- a) The transformer is to be operated while connected to a supply circuit of 125 V.
- b) During this test, each transformer is to be supported on a softwood surface covered with a double layer of tissue paper and, except as noted in 31.5, is to be covered with a double layer of cheesecloth.

c) The method of determining the "defined load" is described in 31.6 and 31.7. Before making the measurement, any control setting on the transformer is to be adjusted to result in the maximum open-circuit voltage at the output terminals.

d) After the "defined load" conditions have been established, the loading conditions are to remain unchanged during the performance of a test but, to obtain the most adverse conditions of operation, the test may be repeated as many times as considered necessary with the controls adjusted as made possible by the construction of the toy transformer. The three samples used for the test need not be operated with controls adjusted in the same manner.

31.3 During the heating test under defined loading, a thermostat or other protective device shall not operate nor shall the transformer burn out.

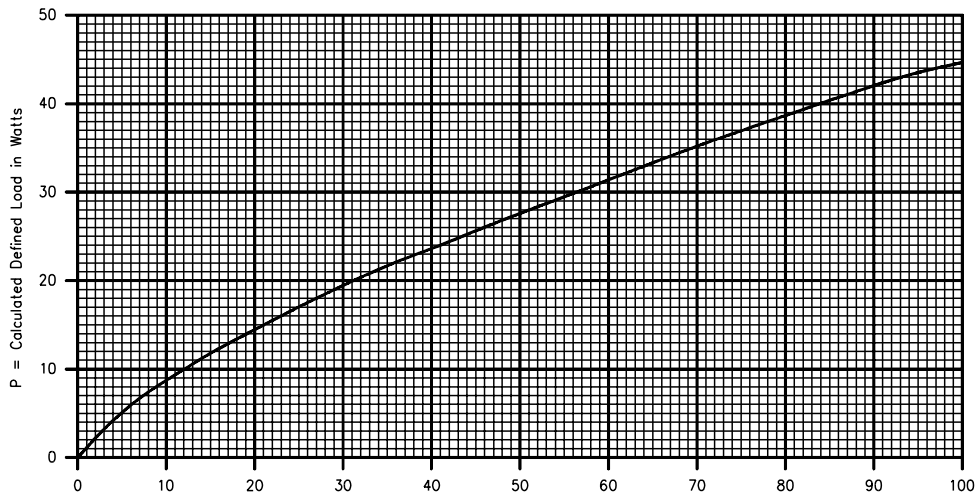
31.4 During the short circuit heating test, a thermostat or other protective device may operate or the transformer may otherwise become permanently inoperable. If such permanent disablement from operation occurs within 1 hour, no maximum coil temperature is specified. Temperatures are to be observed until the peak values are obtained.

31.5 During the heating test with defined load, a transformer provided with operator controls (speed controls or the like, but not a switch) shall not have cheesecloth over the enclosure.

31.6 The defined load referred to in 31.2 is:

- a) The output power load as determined from Figure 31.1 following measurement of the output power obtained when load voltage is 85 percent of the open circuit voltage;
- b) The marked rating of the transformer if greater than the output determined as in (a); or
- c) The marked rating of the transformer if less than the output determined as in (a) and the transformer is provided with a protective device that operates when the transformer output power is 110 percent of the marked values.

Figure 31.1
Determination of calculated defined load



ρ = Output Load in Watts When Load Voltage 85% of Open Circuit Voltage

SC1185

Note – When ρ is 5 watts or less, $P = \rho$. When ρ is 5 watts or more, $P = 1.906 (\rho^{0.3} - 0.243) \rho^{0.4}$

31.7 For the defined load, a resistance load is to be connected to the output terminals of the transformer. If there is more than one set of secondary terminals, the defined load(s) are to be applied across any combination of sets of terminals that results in the most severe condition of heating.

31.8 For the short-circuit condition, all exposed dead metal parts of the transformer are to be connected to ground through a 3 A non-time-delay fuse. The transformer is to be connected to a circuit having 20 A branch circuit protection. If there are more than two secondary terminals, the short circuit is to be applied across any combination of terminals that results in the most severe condition of heating.

31.9 If a protective device does not comply with 7.11, three additional transformers are to be subjected to the short circuit condition with the protective device rendered inoperative.

31.10 A condition in which there is a risk of fire, electric shock, or injury to persons is considered to exist if the short circuit condition results in any of the following:

- a) Opening of the branch circuit protection;
- b) Opening of the grounding fuse;
- c) Charring of the cheesecloth;
- d) Emission of flame or molten material from the transformer enclosure; or
- e) Any opening that develops in the enclosure that exposes live parts having a potential higher than 42.4 V peak to any other part or to ground.

31.11 All values in Table 31.1 are based on an assumed ambient (room) temperature of 25°C (77°F), but a test may be conducted at any ambient temperature within the range of 21 – 30°C (70 – 86°F). If a temperature-sensitive thermal protector is used, the transformer is to be tested in an area maintained at a 25°C (77°F) ambient.

31.12 Temperatures are to be measured by thermocouples. A thermocouple junction and the adjacent thermocouple lead wire are to be held securely in good thermal contact with the surface of the material whose temperature is being measured.

Exception: Temperatures of a coil or winding are to be determined by the resistance method if the coil is inaccessible (for example, a coil immersed in sealing compound or if a coil wrap that includes thermal insulation, such as glass fiber tubing or more than two layers 1/32 inch (0.8 mm) maximum of cotton, paper, rayon, or the like) for the mounting of thermocouples.

31.13 Thermocouples are to consist of wires not larger than 24 AWG (0.21 mm²) and not smaller than 30 AWG (0.05 mm²). When thermocouples are used in determining temperatures, thermocouples consisting of 30 AWG (0.05 mm²) iron and constantan wire and a potentiometer-type instrument are to be used whenever referee temperature measurements by thermocouples are necessary.

31.14 A temperature is to be considered constant when three successive readings, taken at intervals of 10 percent of the previously elapsed duration of the test, but not less than 15-minute intervals, indicate no change. The thermocouples and related instruments are to be accurate and calibrated in accordance with good laboratory practice. The thermocouple wire is to comply with the requirements specified in the Initial Calibration Tolerances for Thermocouples table in Temperature-Measurement Thermocouples, ANSI/ISA MC96.1.

31.15 The temperature rise of a winding determined by the change of resistance method is to be calculated from the formula (the windings are to be at room temperature at the start of the test):

$$\Delta t = \frac{R}{r} (k + t_1) - (k + t_2)$$

in which:

Δ t is the temperature rise,

R is the resistance of the coil at the end of the test,

r is the resistance of the coil at the beginning of the test,

t₁ is the room temperature in degrees C at the beginning of the test,

t₂ is the room temperature in degrees C at the end of the test, and

k is 234.5 for copper and 225 for electrical conductor grade (EC) aluminum. Values of the constant for other grades must be determined.

31.16 Because it is generally necessary to de-energize the winding before measuring R, the value of R at shutdown may be determined by taking several resistance measurements at short intervals, beginning as quickly as possible after the instant of shutdown. A curve of the resistance values against time may be plotted and extrapolated to give the value of R at shutdown.

32 Output Loading Test

32.1 The unit is to be tested under the most severe output condition that does not result in operation of an internal overcurrent or thermal protective device. If an automatically reset protector is provided, or constant temperatures are attained, the test is to be continued for 7 hours. Following the test, the transformer is to comply with the Dielectric Voltage-Withstand Test, Section 35.

32.2 The test shall not result in a risk of fire or electric shock as defined in 31.10.

32.3 For this test, a unit is to be connected to a 125 V supply and is to be supported on a softwood surface covered with a double layer of cheesecloth. All exposed dead metal parts of the transformer are to be connected to ground through a 3-A non-time-delay fuse. The transformer is to be connected to a circuit having 20-A branch circuit.

32.4 For units with more than one output, one output is to be loaded as specified in 32.1, while the other outputs are open circuited or loaded to rated conditions, whichever results in a more severe operating condition.

32.5 If short circuiting causes operation of an automatically or manually-reset protective device, compliance is to be determined using the maximum load value that allows continuous operation.

32.6 If short circuiting causes opening of a fuse, the unit is to be tested starting with a load current that causes a current of 110 percent of the fuse rating to flow in the fused circuit. The load current is to be increased or decreased, as may be necessary, in increments of 2 percent until a current value is obtained at which the fuse does not open in 7 hours.

32.7 If short circuiting causes opening of a thermal cutoff or a single-operation bimetallic device, the device is to be shunted and a thermocouple attached to its body. The load current is to be raised slowly until a temperature equal to the rated trip temperature of the device plus 5°C (9°F) is reached. Without further readjustment of the load, the unit is to be operated for 7 hours.

32.8 If short circuiting causes opening of a winding, tests are to be conducted with the secondary winding loaded to a current equal to the rated current plus X percent of the difference between the short-circuit current and the rated current. In the tests, the values of X are to be 75, 50, 25, 20, 15, 10, and 5, in that order. If a load current results in 7 hours of continuous operation, further tests need not be conducted. For the test, a variable resistance load is to be adjusted to the required value quickly and readjusted, if necessary, one minute after application of voltage to the primary winding.

33 Component Breakdown Test

33.1 A toy transformer shall not result in a risk of fire or electric shock, as defined in 31.10, when the components of the transformer, such as diodes, resistors, transistors, capacitors, and the like, are shorted or opened one at a time.

Exception: The test is not required to be conducted for component breakdowns that result in open or short circuiting of the output.

33.2 The transformer is to be connected as indicated in 32.3 and operated until ultimate conditions are observed, or 4 hours if cycling of an automatically-reset protector occurs.

33.3 Upon completion of the test, the sample shall comply with the Dielectric Voltage-Withstand Test, Section 35.

34 Printed-Wiring Board Abnormal Operation Test

34.1 To determine compliance with Exception No.1 of 21.1, a printed-wiring board is to be tested as described in 34.2 – 34.4.

34.2 During this test, if a printed-wiring board trace opens, the gap is to be electrically shorted at each occurrence and the test continued until temperatures stabilize. If the circuit is interrupted by the opening of a component other than described in 34.3, the test is to be repeated twice using new components as necessary.

34.3 Operation of an overcurrent protective device other than the branch circuit overcurrent protective device is acceptable.

34.4 A sample of the unit using a printed-wiring board is to be connected to its nominal rated supply circuit as specified in 28.1. During this test the unit is to be connected to a circuit having 20-ampere branch circuit protection. All exposed dead metal parts are to be connected to ground through a 3-ampere non-time-delay fuse. The unit is to be draped with a double layer of cheesecloth. Each foil trace is to be short-circuited one at a time to each of its adjacent traces that do not have the spacing specified in Table 21.1. The test is to be continued until one of the conditions described in 31.10 occurs or until temperatures stabilize.

35 Dielectric Voltage-Withstand Test

35.1 Immediately following the defined load heating test, each transformer shall be capable of withstanding without breakdown for 1 minute a 60 Hz essentially sinusoidal potential of:

- a) 1000 V applied between primary live parts and dead metal parts;
- b) 500 V applied between secondary live parts and dead metal parts; and
- c) 1000 V plus twice the rated voltage of the high voltage winding between primary live parts and secondary live parts.

35.2 Immediately following the short circuit heating test, each transformer shall be tested as described in 35.1.

Exception: If a transformer winding opens, the test potential in each case is to be 500 V and the test is to be conducted with the transformer in the heated condition and again after the transformer has cooled to room temperature.

35.3 The test potential is to be supplied from a 500 VA or larger-capacity testing transformer, the output voltage of which can be varied. The wave form of the voltage should approximate a sine wave as closely as possible. The applied potential is to be increased from zero until the required test value is reached, and is to be held at that value for 1 minute. The increase in the applied potential is to be at a substantially uniform rate and as rapid as is consistent with the potential being correctly indicated by the voltmeter. A test transformer with a capacity of less than 500 VA may be used if provided with a voltmeter to directly measure the applied potential.

36 Push-Back Relief Test

36.1 To determine compliance with 18.3, a product shall be tested in accordance with 36.2 without occurrence of any of the conditions specified in 18.3 (a) – (d).

36.2 The supply cord is to be held 1 inch (25.4 mm) from the point where the cord emerges from the product and is then to be pushed back into the product. When a removable bushing which extends further than 1 inch is present, it is to be removed prior to the test. When the bushing is an integral part of the cord, then the test is to be carried out by holding the bushing. The cord is to be pushed back into the product in 1 inch (25.4 mm) increments until the cord buckles or the force to push the cord into the product exceed 6 pounds-force (26.7 N). The cord within the product is to be manipulated to determine compliance with 18.3.

37 Power Supply Strain Relief Test

37.1 When tested in accordance with 37.2 and 37.3, the strain relief means provided on the flexible cord shall be capable of withstanding a direct pull of 35 pounds-force (156 N) applied to the cord for a period of 2 minutes without any displacement of the cord or deformation of its anchoring surface that would result in a potential risk of fire, electric shock, or injury to persons.

37.2 The initial 2-minute test shall be conducted with the force vector parallel to the longitudinal axis of the cord and perpendicular to the surface having the cord entry hole. Each test at other angles of stress shall be conducted for periods of 1 minute.

37.3 With the primary connections within the transformer disconnected, the specified force is to be applied to the cord and supported by the transformer so that the strain relief means is stressed from any angle that the construction of the transformer makes possible. The strain relief is not acceptable if, at the point of disconnection of the conductors, there is any movement of the cord to indicate that stress would have resulted on the connections. The strain relief is not acceptable if the cord or its insulation are changed to the point of presenting a risk of fire, electric shock, or injury to persons.

37.4 Except for a transformer weighing more than 18 lb (8.16 kg), the strain relief means shall be capable of withstanding the tests specified in 37.5 without deformation of its anchoring surface or displacement of the flexible cord if such would result in a potential risk of fire, electric shock, or injury to persons.

37.5 With the transformer hanging freely by its cord, the flexible cord shall be firmly secured 3 feet (0.9 m) from the cord entry hole. The transformer shall then be raised so that the cord entry hole touches the point of cord securement, then released.

38 Output Strain Relief Test

38.1 When tested in accordance with 38.2, the strain relief means and the output cord shall be capable of withstanding a direct pull of 20 pounds-force (89 N) applied to the cord for a period of 1 minute without displacement or breakage of the cord or deformation of its anchoring surface.

38.2 The specified force is to be applied to the cord and supported by the transformer so that the strain relief means is stressed from the most severe angle that the construction of the transformer makes possible.

39 Endurance Test

39.1 One sample of a transformer using a manual-resettable protective device is to be operated under the short circuit condition, as described in the Heating Test, Section 31, and the protector is to be cycled for 50 operations as quickly as the protector can be reset. The results are acceptable if none of the conditions described in 31.10 occur. See Table 31.1 for the maximum surface temperature values.

39.2 One sample of a transformer using an automatic-reset protective device or a protector that stays open as long as the overload is connected shall be operated under the short circuit condition as described in the Heating Test, Section 31, for 15 days. The transformer shall not attain a temperature at any point as described in 31.1. Temperatures are to be measured after 8 hours and at the completion of the test. The protector shall be operable at the end of the 15-day period.

39.3 Following the endurance test, the transformer is to be subjected to a repeat dielectric voltage-withstand test as described in the Dielectric Voltage-Withstand Test, Section 35.

40 Overload Test on Primary Switches

40.1 Except as noted in 40.2, a switch provided in the primary circuit of a toy transformer shall be capable of making and breaking the circuit for 50 cycles of operation, with the primary connected to a supply circuit of 125 V, and with the secondary terminals short-circuited in any combination to result in maximum current input. There shall be no undue pitting or burning of the switch contacts, and no emission of flame or molten material from the transformer enclosure during the test.

40.2 The test specified in 40.1 may be omitted if the current rating of the switch is not less than twice the current input to the primary winding when the secondary winding is delivering the defined load.

41 Overload Test on Secondary Switches

41.1 Unless a switch or other control device has been evaluated and accepted for the load it controls (see 14.4), the switch or other control device shall be tested as described in 41.2. The performance is unacceptable if:

- a) The fuse in the grounding connection opens during the test;
- b) There is welding of contacts or mechanism breakdown; or
- c) Devices are otherwise incapable of completing the tests.

41.2 The transformer is to be connected to the supply circuit. The switch is to be caused to make and break 150 percent of the rated secondary load current (rated output watts or volt-amperes divided by rated output voltage) or the maximum current obtainable, whichever is less. During the test, a 3-A fuse is to be connected between case metal and the grounded side of the supply. The device is to be operated for 50 cycles at a rate of not more than 10 cycles per minute, except that a faster rate of operation may be used if agreeable to those concerned.

42 Abuse Test

42.1 The enclosure of a transformer shall withstand the applicable mechanical abuse tests described in 42.2 – 42.10 without:

- a) Making live parts accessible; or
- b) Producing any other condition that increases the risk of fire, electric shock, or injury to persons.

42.2 A transformer weighing 10 pounds (4.54 kg) or less shall be dropped four times in succession from a height of 3 feet (0.9 m) onto a concrete floor at least 2-1/2 inches (64 mm) thick and covered with a nominal 1/8 inch (3.2 mm) thick vinyl tile. The impact area shall be at least 3 feet² (0.3 m²) in area. Each of the successive drops is to result in the impact occurring at a point on the transformer different from the impact points of the other drops. Three samples shall be subjected to this test.

42.3 The test required in 42.2 is to be conducted with the transformer operating while energized from a Type SPT-1 cord set having 18 AWG (0.82 mm²) conductors and with all dead metal parts that are likely to become energized connected together electrically and grounded through a 3-A plug fuse. Opening of the fuse is not acceptable. Prior to conducting the third drop test on each sample, the polarity of the source of supply is to be reversed.

42.4 After completion of the drop test specified in 42.2 and 42.3, the sample is to be subjected to the Dielectric Voltage-Withstand Test, Section 35, and to an examination for evidence of development of a risk of fire, electric shock, or injury to persons.

42.5 For a transformer weighing more than 10 pounds (4.54 kg), any point on the surface is to be subjected to the application of a single impact of 5 foot pounds-force (6.8 N·m). The sample is then to be subjected to the Dielectric Voltage-Withstand Test, Section 35, and to an examination for evidence of the development of a risk of fire, electric shock, or injury to persons.

42.6 The impact is to be obtained from a solid, smooth steel sphere 2 inches (50.8 mm) in diameter and having a weight that exerts 1.18 pounds-force (5.25 N). The sphere is to fall freely from rest through the vertical distance required to cause it to strike the top of the enclosure with the specified impact. For surfaces other than the top of the enclosure, the sphere is to be suspended by a cord and is to fall as a pendulum through the vertical distance required for it to strike the surface with the specified impact. The enclosure is to be placed so that the test surface is vertical and in the same vertical plane as the point of the support of the pendulum. Parts of the enclosure that might interfere with the cord of the pendulum are to be removed. During the test, the enclosure is to be placed against a vertical wall.

42.7 Any point on the transformer that is accessible to the rod described in 42.8 shall be subjected to a force of 20 pounds-force (89 N) for a period of 1 minute.

42.8 The force specified in 42.7 is to be applied over a period of 5 seconds through the axis of a 1/2-inch (12.7-mm) diameter metal rod, having a flat contact end with the edge rounded to a radius of 1/32 inch (0.8 mm) to eliminate sharp edges. The axis of the rod is to be perpendicular to the surface under test. During the test, the transformer is to rest on a flat surface in any convenient position, and is to be energized from a 125-V supply source. The currents between the enclosure and earth ground, and between any parts of the enclosure between which such currents may exist, are to be monitored. The instrumentation used is to be that described in 26.5.

42.9 During the rod pressure test specified in 42.7 and 42.8, the currents shall not exceed 7.07 mA peak when the potential voltage involved exceeds 42.4 V peak. Following the rod-pressure test the transformer is to be subjected to the Dielectric Voltage-Withstand Test, Section 35, and to an examination for evidence of the development of a risk of fire, electric shock, or injury to persons.

42.10 If any portion of the top surface of a transformer that readily supports a flat surface measures 24 square inches (154 cm²) in area, and the area has a minor dimension of 3 inches (76 mm) or more, any point on that supporting surface shall resist a vertical pressure of 50 pounds-force (222 N) applied through a steel ball 2 inches (50.8 mm) in diameter for a period of 1 minute with the transformer in an upright position on a flat, horizontal surface.

42.11 After completion of the test specified in 42.10, the sample is to be subjected to the Dielectric Voltage-Withstand Test, Section 35, and then examined for evidence of development of a risk of fire, electric shock, or injury to persons.

42.11 effective October 13, 2006

43 Direct Plug-In Blade Secureness Test

43.1 Each blade and the grounding pin, if provided, shall withstand a direct pull of 20 pounds-force (89 N) for 2 minutes without loosening. The two blades tested together shall also withstand a direct pull of 20 pounds-force for 2 minutes without loosening.

43.2 To determine whether a unit complies with the requirement in 43.1, it is to be supported on a horizontal steel plate with the blades projecting downward through a hole having a diameter sufficient only to permit the blades to pass through it. A 20-pound (9.1-kg) weight is to be supported by each blade and the grounding pin, if provided, in succession and then by the two blades tested together. In a unit of non-rigid construction – for example, a unit of soft molded material – the displacement of either blade shall not exceed 3/32 inch (2.4 mm) measured 2 minutes after removal of the weight.

44 Direct Plug-In Security of Input Contacts Test

44.1 The plug-in blades and the grounding pin shall not loosen to a degree that introduces a risk of fire or electric shock as a result of the tests described in 44.2 and 44.3.

44.2 A unit is to be rigidly supported in the blades-up position. Each blade, in turn, is to be individually subjected to a force of 30 pounds (133 N) applied gradually along the longitudinal axis of the blade in a direction towards the face of the unit. The 30-pound force is to be maintained for one minute.

44.3 The sample used in 44.2 is to be retested by being positioned as described in 44.2 and subjecting both blades and the grounding pin, if provided, in combination, to a single applied force of 40 pounds (178 N) for one minute.

45 Rod Pressure Test on Direct Plug-In Units

45.1 Any point on the product that is accessible to the rod described in 45.2 shall be subjected to a force of 20 pounds (89 N) for one minute.

45.2 The force specified in 45.1 is to be increased from 0 to 20 pounds (0 to 89 N) over a period of five seconds applied through the axis of a 1/2-inch (12.7-mm) diameter metal rod, having a flat contact end with the edge rounded to a radius of 1/32 inch (0.8 mm) to eliminate sharp edges. The force is then to be maintained at 20 pounds for one minute. The axis of the rod is to be perpendicular to the surface under test. During the test, the unit is to rest on a flat surface in any convenient position, and is to be energized. Shock current between the enclosure and earth, and between any parts of the enclosure between which such currents may exist, are to be monitored. The instrumentation used is to be that described in 26.5.

45.3 During the rod-pressure test described in 45.1 and 45.2, the shock current shall not exceed 7.07 mA peak when the voltage involved exceeds 42.4 V peak. Following the rod-pressure test, the unit is to be subjected to the Dielectric Voltage-Withstand Test, Section 35, and to an examination for evidence of the development of a risk of electric shock.

46 Resistance to Crushing Test on Direct Plug-In Units

46.1 One sample of the unit shall withstand for one minute a steady crushing force of 75 pounds (334 N) applied at right angles to the mounting surfaces. The enclosure is to be tested between two parallel, flat hardwood blocks, each not less than 1/2 inch (12.7 mm) thick. One block is to contain slots into which the blades of the device are to be fully inserted. The crushing force is to be applied gradually in a direction normal to the mounting surface.

47 Handles and Knobs Test

47.1 For purposes of conducting this test, the parts of a lifting handle on a transformer that are within 7/16 inch (11.1 mm) of the surface to which the handle is attached, or parts of a lifting knob within 1/4 inch (6.4 mm) of the surface to which the knob is attached, are to be considered for support purposes. The remainder of the handle or knob is to be considered generally functional in nature.

47.2 A handle or knob shall withstand crushing and lifting tests as specified in 47.3 – 47.6 without fracture of the handle or knob, the development of an opening that may pinch a hand, or breakage of the means used to fasten the handle or knob in place. A handle or knob shall not introduce a risk of injury to persons or electric shock when tested in accordance with 47.3 – 47.6.

47.3 The functional portion of a handle or knob shall withstand a crushing effort of 20 pounds-force (89 N) applied by two flat, parallel hardwood blocks, each having face dimensions greater than those of the object being tested.

47.4 The crushing force specified in 47.3 is to be:

- a) Applied in any direction perpendicular to the major axis of the handle or knob;
- b) Applied gradually over a period of five seconds; and
- c) Held for 1 minute.

The wood blocks are to be at least 2-1/2 inches (64 mm) thick.

47.5 The support portion of a handle or knob shall withstand a force equal to four times the weight of the object it is intended to support.

47.6 The direction of the lifting force is to be as intended by the construction of the transformer, by means of a 1/2-inch (13-mm) wide strap through a handle, or by fingers or the equivalent on a knob, is to be applied gradually over a period of five seconds through the center of gravity of the transformer, and is to be held for 1 minute.

MANUFACTURING AND PRODUCTION TESTS

48 Details

48.1 Each transformer, as a routine factory test, shall be capable of withstanding without breakdown for 1 minute a 60 Hz essentially sinusoidal potential of:

- a) 1000 V applied between primary live parts and dead metal parts; and
- b) 1000 V plus twice the rated voltage of the high voltage winding between primary live parts and secondary live parts.

48.2 In place of the 1-minute test described in 48.1, a 1-second test may be conducted if the test potential is increased to 120 percent of the value indicated in 48.1. In either case, the transformer is not required to be in a heated condition.

48.3 The manufacturer shall provide test equipment and facilities for conducting the test described in 48.1. A test transformer with a capacity less than 500 VA may be used in tests by the manufacturer if the transformer is provided with a voltmeter to directly measure the applied potential. The test equipment is to include an audible or visible indication of breakdown (or both). In the event of breakdown, manual reset of the test-equipment control switch is required, or an automatic reject of the unit under test is to result. Each transformer shall be tested, with acceptable results, before it leaves the factory. The manufacturer's record of test results and rejections shall be available for review.

48.4 Five production samples from daily production of each transformer shall be subjected to the strain-relief test described in 37.1 and 37.3 as a routine factory test (37.2, 37.4, and 37.5 are not applicable).

RATINGS

49 General

49.1 The electrical rating of a transformer shall include the primary voltage, the frequency, the output in watts or volt-amperes, and all secondary voltages. If an ampere rating is included, it shall be consistent with the other ratings.

49.2 The rating of the unit shall include the type of output current such as AC only, DC only, or AC or DC.

49.3 The primary-voltage rating shall not be more than 125 V. The secondary-voltage rating shall not be more than 30 V AC or 42 V DC.

Exception: An interrupted DC output (see 28.1) shall not be more than 25 V DC.

MARKINGS

50 General

50.1 A transformer shall be legibly and permanently marked with:

- a) The manufacturer's name, trademark, trade name, or other descriptive marking by which the organization responsible for the transformer can be identified;
- b) The date of manufacture, month and year;
- c) A distinctive catalog number or the equivalent;
- d) The electrical rating; and
- e) The designation "Toy Transformer" or "Hobby Transformer."

50.2 When the date of manufacture is abbreviated or in a nationally accepted conventional code, or in a code affirmed by the manufacturer, the date code shall:

- a) Not repeat in less than 10 years; and
- b) Not require reference to the manufacturer's records to determine when the product was manufactured.

50.3 A transformer shall be permanently and legibly marked according to its designation. The markings shall be as follows:

- a) "Toy Transformer – CAUTION – ELECTRIC TOY." The words "CAUTION – ELECTRIC TOY" shall be in upper case letters.
- b) "Hobby Transformer – CAUTION – ELECTRICALLY-OPERATED PRODUCT." The words "CAUTION – ELECTRICALLY-OPERATED PRODUCT" shall be in upper case letters.

50.4 A transformer using one or more nonreplaceable incandescent lamps (other than a pilot or indicating lamp in which the lamp is integral with the lampholder) shall be marked on an outside surface where visible, "Sealed Unit – Do not attempt to change lamp," or the equivalent.

50.5 A direct plug-in unit having a mounting tab for semi-permanent mounting shall be marked – on the unit, a marking tag, or an instruction sheet packed with the unit – with the word "CAUTION" and the following mounting instructions or the equivalent:

- a) "To reduce the risk of electric shock – disconnect power to the receptacle before installing or removing the unit. When removing receptacle cover screw, cover may fall across plug pins or receptacle may become displaced."
- b) "Use only with duplex receptacle having center screw."
- c) "Secure unit in place by receptacle cover screw."

50.6 If a manufacturer produces or assembles a product at more than one factory, each finished product shall have a distinctive marking, which may be in code, by means of which it can be identified as the product of a particular factory.

51 Flexible-Film Bags

51.1 The marking "CAUTION – Keep away from small children; the thin film may cling to nose and mouth and prevent breathing" shall appear on (see 51.3):

- a) Flexible-film sheet less than 0.0015 inch (0.0381 mm) thick provided with a toy transformer; and
- b) A flexible-film bag made from material less than 0.0015 inch (0.0381 mm) thick and having:
 - 1) An opening perimeter of 14 inches (356 mm) or more; or
 - 2) A capacity of more than 125 cubic inches (2048 cm³).

Exception No. 1: A plastic bag or a plastic sheet less than 0.0015 inch (0.0381 mm) thick need not be marked if it is perforated with $1/4 \pm 1/8$ inch (6.4 \pm 3.2 mm) holes or has slits, such as any 1-1/2 inch (38.1 mm) diameter surface section containing at least one 3/8-inch (9.5-mm) long portion of a slit or at least one complete hole.

Exception No. 2: Shrinkable film in the form of an overwrap that would normally be destroyed when the package is opened need not be marked.

51.2 To determine the maximum perimeter of an opening in a bag as specified in 51.1(b), two 1/2-inch (12.7-mm) diameter probes with ends having a 1/4-inch (6.4-mm) radius shall be inserted 1-1/2 inches (38.1 mm) into the opening and, using a spreading means that maintains the probes parallel, the probes shall be separated until the plastic bag splits. The shortest distance between probes at the time that a bag splits shall be recorded for six bags. The perimeter at the opening is to be calculated when multiplying the largest of six probe spacings by 2 and adding 2.6 inches (66 mm) to the result.

51.3 The marking required in 51.1 shall:

- a) Adhere firmly to the plastic without flaking, peeling, or smearing;
- b) Contrast with either a light or dark background; and
- c) Be in lettering not less than 7/64 inch (2.8 mm) high.

52 Form

52.1 A marking shall be in the form of paint-stencilled, die-stamped, molded, or indelibly stamped block lettering, or in a form that has been tested and accepted for the purpose.

52.2 Where necessary because of space limitations, certain abbreviations in the wording marked on a toy transformer are acceptable if in a form that is acceptable for the purpose.

52.3 A marking shall:

- a) Clearly convey the message and be readily visible during conditions of purchase and during storage and handling after purchase.
- b) Contrast with its background by color, projection, or indentation.
- c) Be in the English language (other languages may also be included if appropriate).

Exception: Coding that is specifically authorized is not required to be in language form.

- d) Be in lettering of a height not less than that specified in Table 52.1.
- e) For those words shown in capital letters in the cautionary markings, be in capital letters of a height not less than twice that specified in Table 52.1.
- f) Appear exactly as specified in the applicable requirements, unless it is stated that an equivalent is acceptable.

Table 52.1
Lettering height

Area of surface displaying marking				Minimum height of lettering	
Equal to or greater than		Less than			
inches ²	(cm ²)	inches ²	(cm ²)	inch	(mm)
0	(0)	5	(32.3)	1/16	(1.6)
5	(32.3)	25	(161)	1/8	(3.2)
25	(161)	100	(645)	3/16	(4.8)
100	(645)	400	(2581)	1/4	(6.4)
400	(2581)	–	–	1/2	(12.7)

52.4 A marking that is required to be on the transformer shall be located on one of the exterior surfaces. The legibility of the text of the marking shall not be reduced by unusually small spacing between letters or words (or both), unusually thin line width of the letters, or the like.

52.5 Measurement of the height of lower case letters shall be made using the shortest letters, typically o, e, and the like.

53 Package Labeling

53.1 The shelf pack or package of the toy transformer shall be labeled to indicate:

- a) The date of manufacture in accordance with 50.1(b);
- b) The electrical ratings in accordance with 50.1(d);
- c) Precautionary statements in accordance with 50.3 and 53.2; and
- d) If applicable, the manufacturing location or code per 50.6.

Exception: In lieu of this labeling requirement, a toy transformer intended for subsequent packaging and distribution with a specific load shall include the following instruction or equivalent: "Labeling for this power supply and the intended load is specified in the US Consumer Product Safety Commission Regulation, Title 16 of the Code of Federal Regulations, Chapter 1505. Labeling for this product is the responsibility of the toy manufacturer."

53.1 effective October 13, 2006

53.2 The upper right quarter of the principal display panel of an individual marketing container of a toy transformer shall be marked "CAUTION – ELECTRIC TOY – Not recommended for children under ____ years of age. As with all electric products, precautions should be observed during handling and use to prevent electric shock." The blank space is to be filled in by the manufacturer and shall not be less than "3."

Exception No. 1: If marked "Hobby Transformer" in accordance with 50.1, the words "ELECTRICALLY-OPERATED PRODUCT" may be substituted for "ELECTRIC TOY."

Exception No. 2: If the size of the principal display panel of an individual marketing container is such that the marking does not fit entirely within the upper right quarter of the panel when sized in accordance with Table 52.1, the marking may exceed the boundaries of the quarter panel.

53.2 effective October 13, 2006

INSTRUCTIONS

54 General

54.1 A toy transformer shall be provided with instructions that are easily understood by children of the ages for which the product is intended. The instructions shall describe the proper use and care of the toy transformer.

54.2 The instructions shall also contain a statement addressed to parents recommending that the toy transformer be periodically examined for conditions that may result in the risk of fire, electric shock, or injury to persons (such as damage to the output cord, blades, housing, or other parts) and that, in an event of such conditions, the transformer should not be used until properly repaired.

54.3 The lettering height for marking and instructions described in 54.1 and 54.2 are not specified, but shall be of a height that is acceptable for the purpose. Capital letters shall be twice the letter height used in the adjacent instructions.

54.4 The instruction booklet or sheet accompanying a toy transformer shall bear on the front page as a preface to any written matter the statement: "CAUTION – ELECTRIC TOY: Not recommended for children under ____ years of age. As with all electric products, precautions should be observed during handling and use to prevent electric shock." The blank in the preceding statement shall be filled in by the manufacturer, but in no instance shall the manufacturer indicate that the article is recommended for children under 3 years of age.

Exception: In lieu of this requirement, a toy transformer intended for subsequent packaging and distribution with a specific load shall include the following instruction or equivalent: "Labeling for this power supply and the intended load is specified in the US Consumer Product Safety Commission Regulation, Title 16 of the Code of Federal Regulations, Chapter 1505. Labeling for this product is the responsibility of the toy manufacturer."

54.4 effective October 13, 2006

54.5 The lettering for instructions described in 54.4 shall:

- a) Contrast with either a light or dark background; and
- b) Have upper case letter heights not less than 5/32 inch (4 mm) for the signal words, and not less than 7/64 inch (2.8 mm) for the remaining text.

54.5 effective October 13, 2006

No Text on This Page

APPENDIX A

Standards for Components

Standards under which components of the products covered by this standard are evaluated include the following:

Title of Standard – UL Standard Designation

Attachment Plugs and Receptacles – UL 498
Cord Sets and Power-Supply Cords – UL 817
Flexible Cord and Fixture Wire – UL 62
Lampholders, Edison-Base – UL 496
Marking and Labeling Systems – UL 969
Plastic Materials for Parts in Devices and Appliances, Tests for Flammability of – UL 94
Polymeric Materials – Long Term Property Evaluations – UL 746B
Polymeric Materials – Short Term Property Evaluations – UL 746A
Polymeric Materials – Use in Electrical Equipment Evaluations – UL 746C
Printed-Wiring Boards – UL 796
Sharpness of Edges on Equipment, Tests for – UL 1439
Sleeving, Coated Electrical – UL 1441
Switches, Special-Use – UL 1054
Tape, Polyvinyl Chloride, Polyethylene, and Rubber Insulating– UL 510
Temperature-Indicating and -Regulating Equipment – UL 873
Terminals, Electrical Quick-Connect – UL 310
Thermal Cutoffs for Use in Electrical Appliances and Components– UL 1020
Wire Connectors – UL 486A-486B
Wires and Cables, Thermoset-Insulated – UL 44
Wires and Cables, Thermoplastic-Insulated – UL 83

No Text on This Page