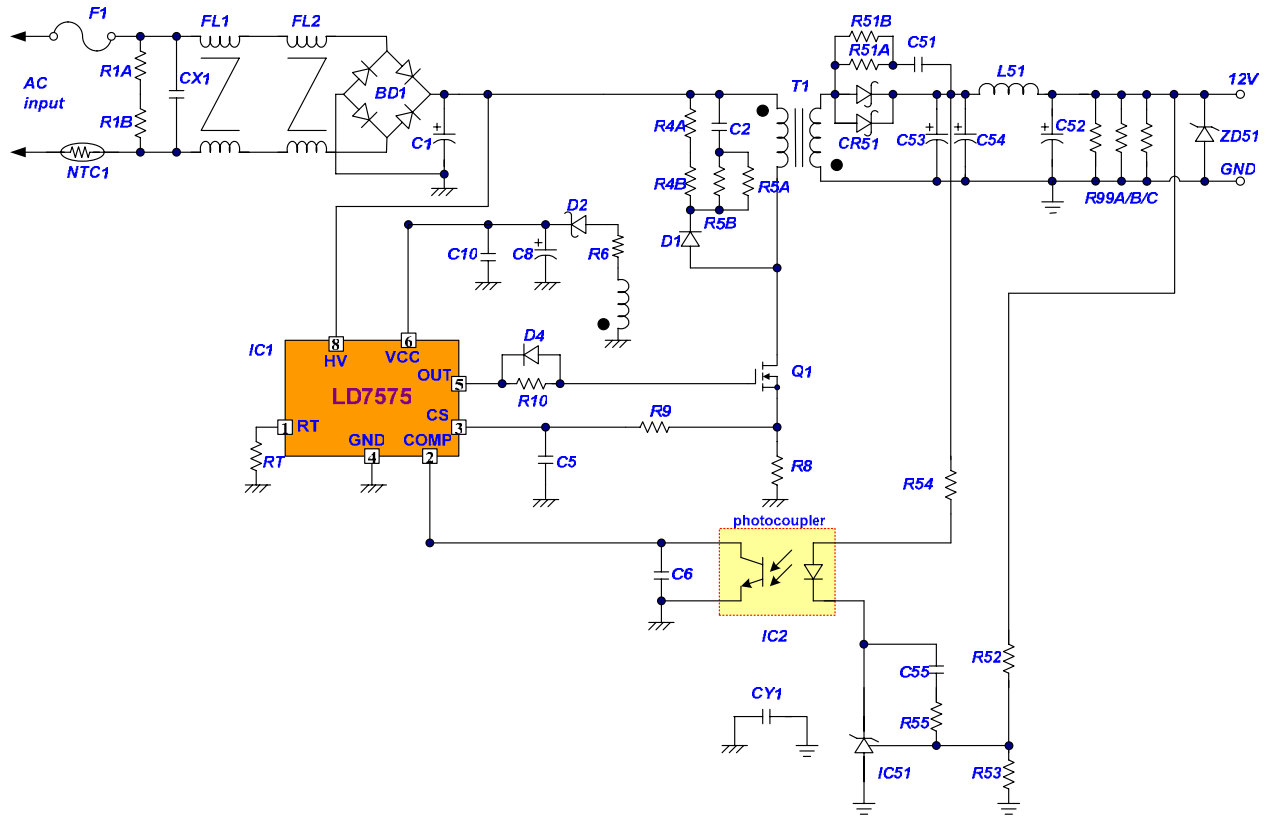


I . Schematic


II. BOM

P/N	Component Value	Original
R1A	1M Ω , 1206	
R1B	1M Ω , 1206	
R4A	100K Ω , 1206	
R4B	100K Ω , 1206	
R5A	100 Ω , 1206	
R5B	100 Ω , 1206	
R6	3.3 Ω , 1206	
R8	0.43 Ω , 2W	
R9	220 Ω , 0805	
R10	10 Ω , 1206	
RT	100K Ω , 0805,1%	
R51A	100 Ω , 1206	
R51B	100 Ω , 1206	
R52	9.53K Ω , 0805, 1%	
R53	2.49K Ω , 0805, 1%	
R54	510 Ω , 0805	
R55	1K Ω , 0805	
R99A	10K Ω ,	
R99B	N/C	
R99C	N/C	
NTC1	SCK053	
FL1	Leadtrend's Design	
FL2	Leadtrend's Design	
T1	Leadtrend's Design	
L51	Leadtrend's Design	

P/N	Component Value	Note
C1	100 μ F, 400V	L-tec
C2	1000pF, 1000V, 1206	X7R
C5	100pF, 50V, 0805	X7R
C6	0.022 μ F, 50V, 0805	X7R
C8	22 μ F, 50V	L-tec (LZG)
C10	0.1 μ F, 50V, 0805	X7R
C51	1000pF, 250V, 1206	
C52	470 μ F, 16V	L-tec (LZG)
C53	1000 μ F, 16V	L-tec (LZG)
C54	1000 μ F, 16V	L-tec (LZG)
C55	0.1 μ F, 50V, 0805	X7R
CX1	0.22 μ F,X-cap	
CY1	2200pF,Y-cap, class2	
D1	1N4007	
D2	PS102R	
D4	1N4148	
Q1	8A, 600V	FPQF8N60C
BD1	2A, 600V	2KBP06M
CR51	10A, 100V	Y1010DN
IC1	LD7575 CS	Leadtrend
IC2	EL817B	EVERLIGHT
IC51	TL431, 1%	
F1	250V,T2A	Walter