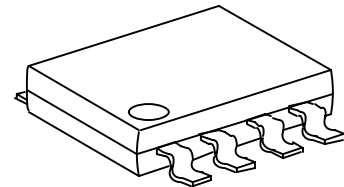
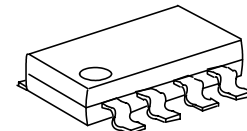
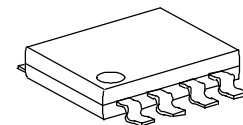


BOOST CONVERT CONTROL IC**GENERAL DESCRIPTION**

The FP5138 is a boost topology switching regulator control IC for battery-used applications field. The FP5138 includes a totem-pole single output stage for driving NPN transistor or N-MOS, high precision reference (0.5V) for comparing output voltage with feedback amplifier, an internal dead-time control for controlling the minimum duty cycle, programmable soft start with short circuit protection function and logic level control for operating mode or standby mode.

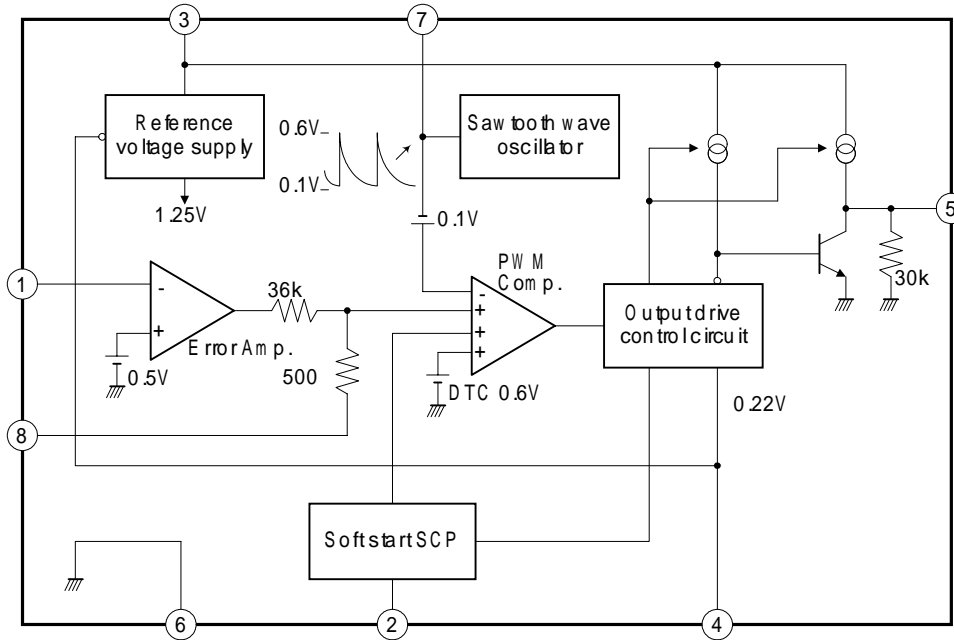
FEATURES

- Wide supply voltage operating range: 1.8 to 15V
- Low current consumption: Operation Mode 5.5mA
Standby-by Mode 1 μ A
- High speed oscillator frequency: 1MHz max.
- Programmable Soft Start function (SS)
- Short Circuit Protection function(SCP)
- Totem-pole output with adjustable on/off current
(for NPN transistors or n-channel MOSFET)
- Logic level control stand-by mode function
- Package: SOP8/TSSOP8/MSOP8

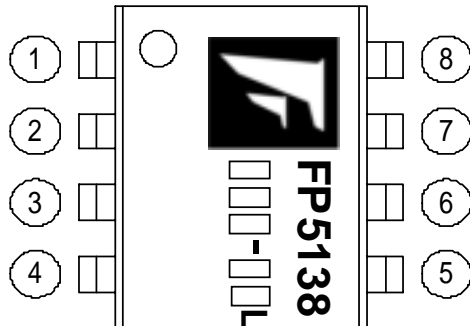
**SOP8****TSSOP8****MSOP8****TYPICAL APPLICATION**

- Digital Camera
- PDA
- Portable Equipment

FUNCTIONAL BLOCK DIAGRAM



MARK VIEW



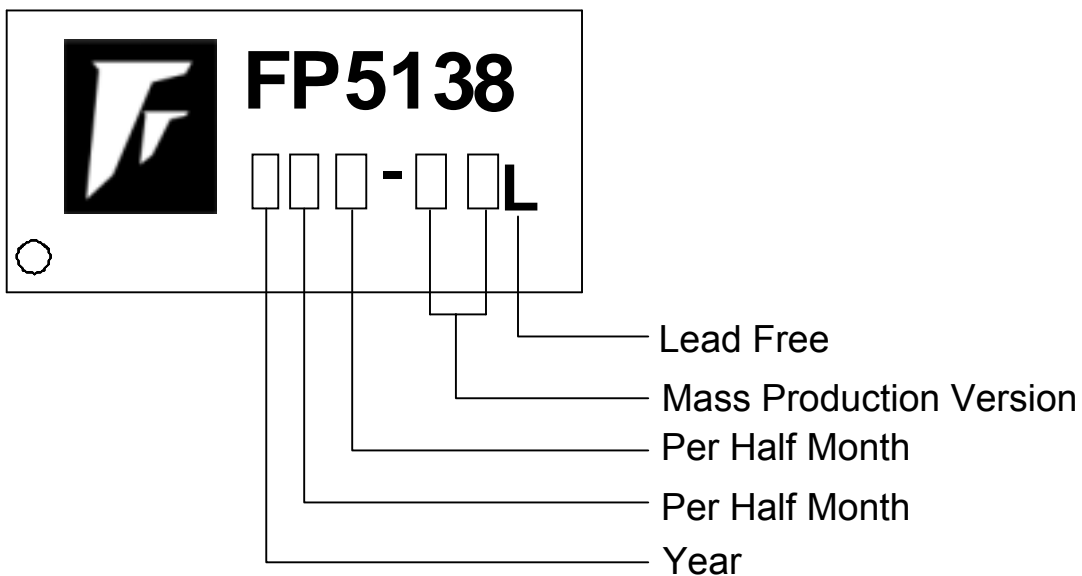
PIN DESCRIPTION

Name	No.	I/O	Description
FB	1	I	Error amplifier inverting input pin
SCP	2	I	Connected a capacitor Soft start and SCP function pin
V _{CC}	3	P	IC power supply
BR/CTL	4	I	Output current setting and control pin
OUT	5	O	Totem-pole output
GND	6	P	IC ground
OSC	7	I	Capacitor and resistor connected for the frequency of oscillation
COMP	8	O	Error amplifier compensation output

ORDER INFORMATION

Part Number	Operating Temperature	Package	Description
FP5138D-LF	-10°C ~ +85°C	SOP8	Tube
FP5138DR-LF	-10°C ~ +85°C	SOP8	Tape & Reel
FP5138W-LF	-10°C ~ +85°C	TSSOP8	Tube
FP5138WR-LF	-10°C ~ +85°C	TSSOP8	Tape & Reel
FP5138T-LF	-10°C ~ +85°C	MSOP8	Tube
FP5138TR-LF	-10°C ~ +85°C	MSOP8	Tape & Reel

IC DATE CODE DISTINGUISH



FOR EXAMPLE:

January A (Front Half Month), B (Last Half Month)
 February C, D
 March E, F -----And so on

Lot Number is the last two numbers

For Example:

A3311C62
 ↳ Lot Number

ABSOLUTE MAXIMUM RATINGS

Power supply voltage----- +15V

Output source current----- -50mA

Output sink current----- +50mA

Allowable dissipation

SOP8 Ta +25 ----- 570mW

MSOP8 Ta +25 ----- 400mW

TSSOP8 Ta +25 ----- 400mW

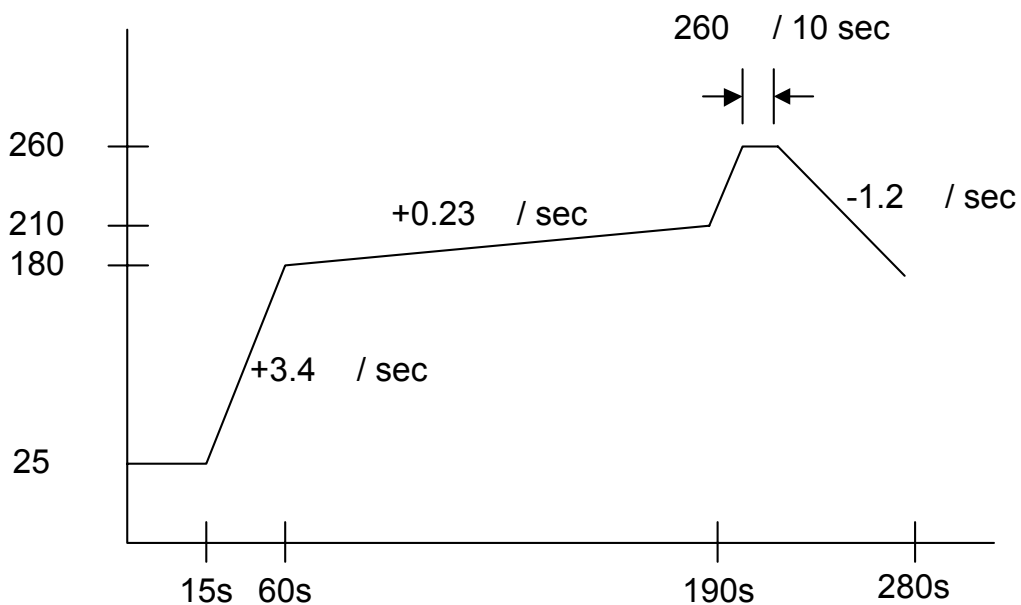
Operating temperature----- -10 +85

Storage temperature----- -55 +125

SOP8 Lead Temperature (soldering, 10 sec) -----+260

TSSOP8 Lead Temperature (soldering, 10 sec) -----+260

MSOP8 Lead Temperature (soldering, 10 sec) -----+260



DC ELECTRICAL CHARACTERISTICS

Under Voltage Lock-Out section (U.V.L.O.)

PARAMETER	SYMBOL	TEST CONDITIONS	MIN.	TYP.	MAX.	UNIT
Low threshold voltage	V_{LOW}	--	-	-	0.9	V
Upper threshold voltage	V_{UPPER}	--	1.1	1.3	1.5	V

Soft Start section (S.S.)

PARAMETER	SYMBOL	TEST CONDITIONS	MIN.	TYP.	MAX.	UNIT
Input source current	I_{SS}	$V_{SCP} = 0V$	-1.5	-1.0	-0.7	μA
Soft start threshold voltage	V_{SST}	--	0.8	0.9	1.0	V

Short Circuit Protection section (S.C.P.)

PARAMETER	SYMBOL	TEST CONDITIONS	MIN.	TYP.	MAX.	UNIT
Input source current	I_{SCP}	$V_{SCP} = 0V$	-1.5	-1.0	-0.7	μA
S.C.P. threshold voltage	V_{SCP}	--	0.7	0.8	0.9	V

Oscillator section

PARAMETER	SYMBOL	TEST CONDITIONS	MIN.	TYP.	MAX.	UNIT
Oscillation frequency	f	$R_T = 3.0k\Omega, C_T = 270pF$	400	500	600	KHz
Frequency change with voltage	$\Delta f / \Delta V$	$V_{CC} = 2V$ to 15V	-	2	10	%
Frequency change with temperature	$\Delta f / \Delta T$	$T_a = 0$ to 85	-	5	-	%

Idle Period Adjustment section

PARAMETER	SYMBOL	TEST CONDITIONS	MIN.	TYP.	MAX.	UNIT
Maximum duty cycle	T_{DUTY}	$R_T = 3.0k\Omega, C_T = 270pF,$ $V_{FB} = 0.8V$	75	-	85	%

Total device section

PARAMETER	SYMBOL	TEST CONDITIONS	MIN.	TYP.	MAX.	UNIT
Stand-by current	$I_{STANDBY}$	Pin4 is open or V_{CC}	-	-	1	μA
Average supply current	I_{AVE}	$R_B = 390\Omega, V_{CC} = 0 \sim 20V$	-	5.0	10	mA

DC ELECTRICAL CHARACTERISTICS (Cont.)

Error Amplifier section

PARAMETER		SYMBOL	TEST CONDITIONS	MIN.	TYP.	MAX.	UNIT
Input threshold voltage		V_{FB}	$V_{COMP}=450mV$	480	500	520	mV
V_T change with voltage		$\Delta V_{FB} / \Delta V$	$V_{CC}=2V$ to 15V	-	5	20	mV
V_T change with temperature		$\Delta V_{FB} / \Delta T$	$T_a = -10$ to 85	-	1	-	%
Input bias current		I_B	--	-1.0	-0.2	1.0	μA
Voltage Gain		A_v	--	-	100	-	V/V
Frequency bandwidth		BW	$A_v=0$ dB	-	6	-	MHz
Output voltage Swing	Positive	V_{POS}	--	0.78	0.87	-	V
	Negative	V_{NEG}	--	-	0.05	0.2	
Output source current		I_{SOURCE}	$V_{COMP}=450mV$	-	-40	-24	μA
Output sink current		I_{SINK}		24	40	-	μA

Output section

PARAMETER		SYMBOL	TEST CONDITIONS	MIN.	TYP.	MAX.	UNIT
Output high voltage		V_{OH1}	$R_B=390\Omega$, $I_O=-15mA$	1.0	1.2	-	V
Output high voltage		V_{OH2}	$R_B=750\Omega$, $I_O=-10mA$, $V_{CC}=1.8V$	0.8	1.0	-	V
Output saturation voltage		V_{OL1}	$R_B=390\Omega$, $I_O=15mA$	-	0.1	0.2	V
Output saturation voltage		V_{OL2}	$R_B=750\Omega$, $I_O=10mA$, $V_{CC}=1.8V$	-	0.1	0.2	V
Output source current		$I_{OSOURCE}$	$R_B=390\Omega$, $V_O=0.9V$	-	-40	-20	mA
Output sink current		I_{OSINK}	$R_B=390\Omega$, $V_O=0.3V$	30	40	-	mA
Internal pull-down resistor		R_O	--	20	30	40	k Ω

Output Current Setting / Control section

PARAMETER		SYMBOL	TEST CONDITIONS	MIN.	TYP.	MAX.	UNIT
Pin voltage		V_{BR}	$R_B=390\Omega$	0.15	0.22	0.3	V
Input off condition		I_{OFF}	--	-20	-	0	μA
Input on condition		I_{ON}	--	-	-	-45	μA
Pin current range		I_{BR}	--	-1.8	-	-0.1	mA

TYPICAL CHARACTERISTICS

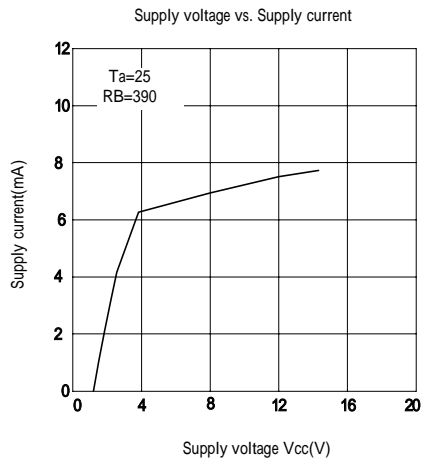


Figure 1

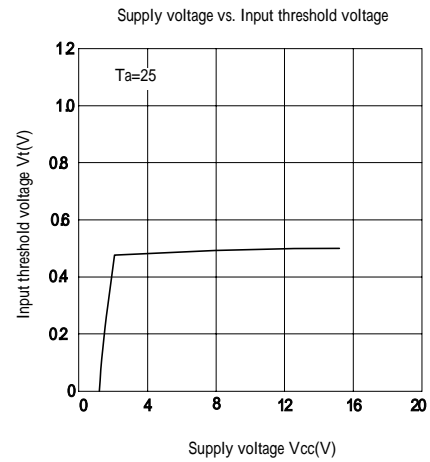


Figure 2

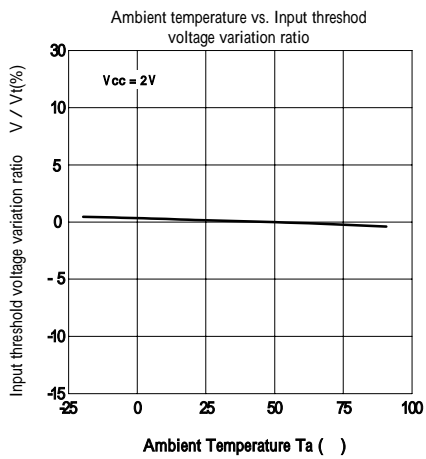


Figure 3

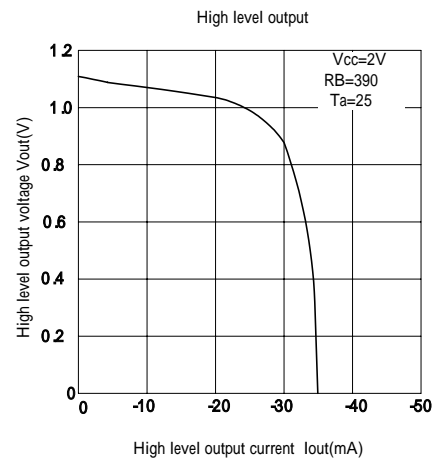


Figure 4

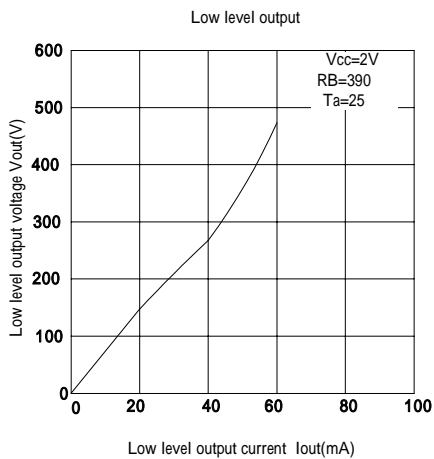


Figure 5

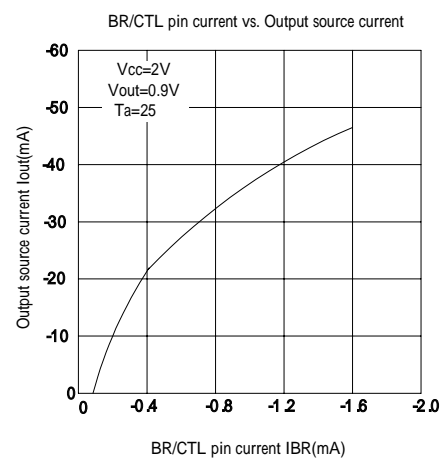


Figure 6

TYPICAL CHARACTERISTICS (Cont.)

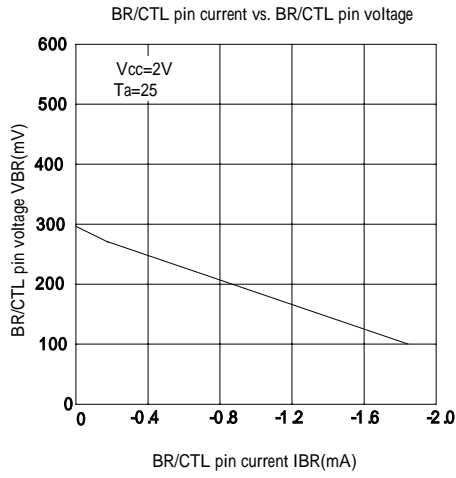


Figure 7

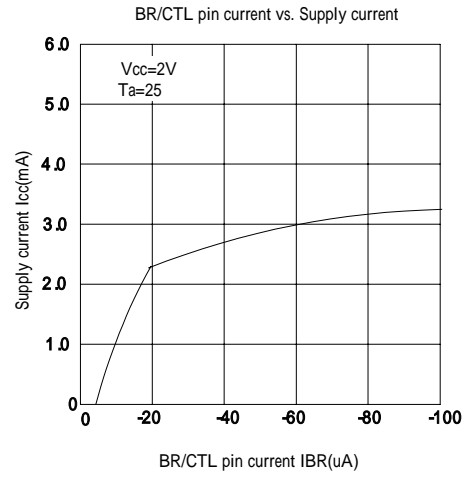
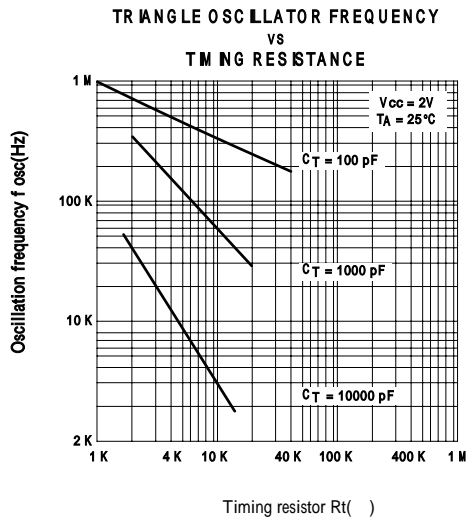


Figure 8



Timing resistor $R_t(\Omega)$

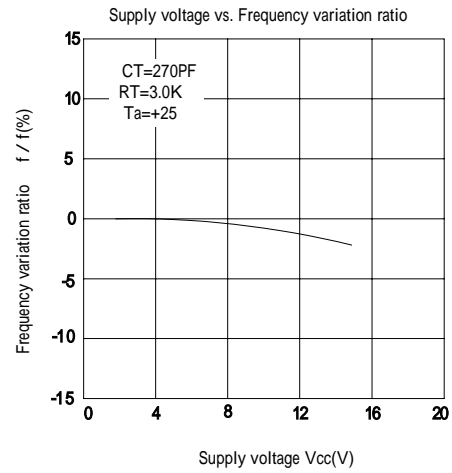


Figure 10

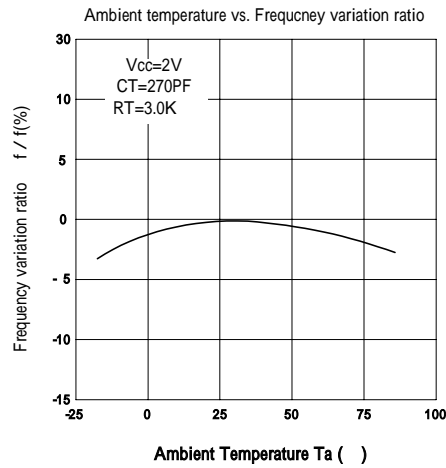
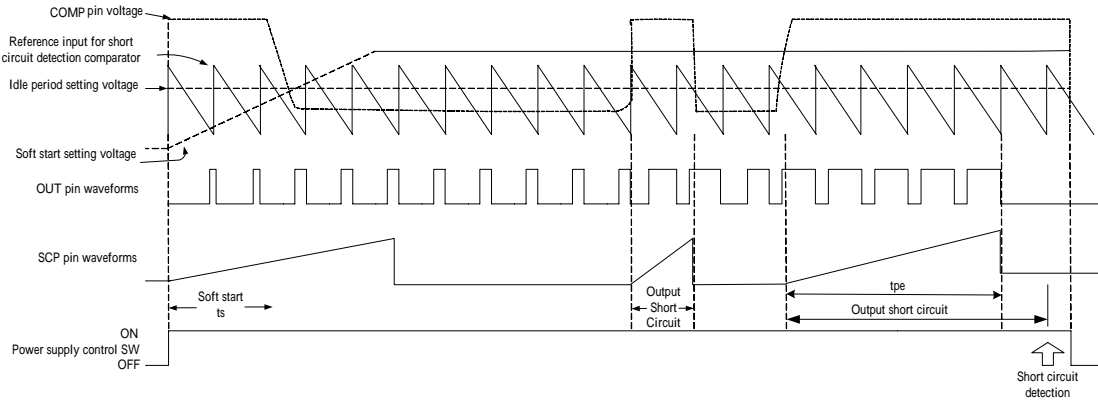


Figure 11

TIMING WAVEFORM



FP5138 Timing Diagram

DETAILED DESCRIPTION

Voltage reference

A 1.25V regulator operating from VCC is used to power the internal circuitry of the FP5138. An internal resistive divider provides 0.5V reference for the error amplifier, Soft-start (typ. 0.9V) and SCP (typ. 0.8V) circuits.

Error amplifier

The error amplifier compares a sample of the dc-dc converter output voltage to the 0.5V reference and generates an error signal for the PWM comparator. Output voltage of dc-dc converter is setting with the resistor divider using the following expression (see fig12):

$$V_{out} = \left(1 + \frac{R1}{R2}\right) * 0.5$$

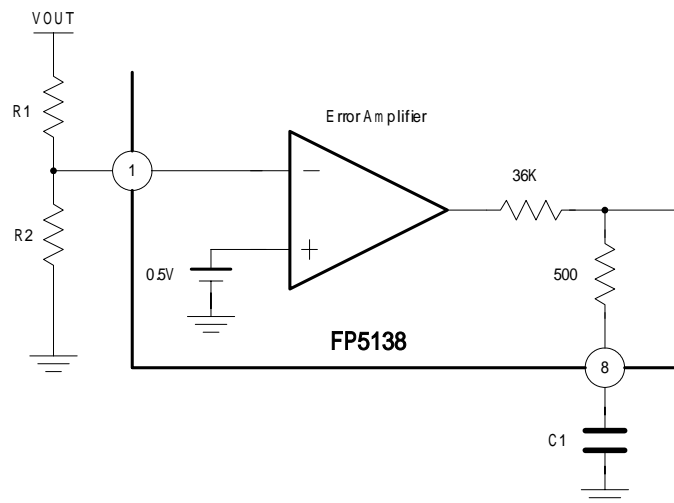


Figure 12. Error Amplifier with Feedback resistance divider

Oscillator

The oscillator frequency can be set between 20KHz and 500KHz by connecting a resistor and a capacitor at OSC pin of FP5138 to ground. The oscillator frequency can be determined by using the graph shown in Figure 9.

The oscillator output is a sawtooth wave with a minimum value of approximately 0.1V and a maximum value of approximately 0.6V. The PWM comparator compares the oscillator voltage with error amplifier output voltage; internal DTC voltage (typ. 0.6V) and soft start setting voltage. When the sawtooth wave voltage is low than above three-output voltage, the output of FP5138 is high (Turn on NPN transistor or NMOS).

Under voltage lockout (UVLO)

The under voltage lockout circuits turn the output off and whenever the supply voltage drops too low (approximately 0.9V at 25) for proper operation. A hysteresis voltage of 200mV eliminates false triggering on noise and chattering.

Soft Start/ Short-circuit protection (S.S. / S.C.P.)

The soft start is functional after power on, and the interval of soft start time is determined by a capacitor connected to SCP pin (pin 2). When soft start function finished, the internal soft start voltage is setting high, but external SCP pin is setting low in order to change to short circuit detection / protection function.

The time of soft start is following expression:

$$T_{ss} = 0.35 * C[\mu F]$$

The short circuit protection is functional due to a heavy loading drop and output of error amplifier (COMP pin) is maintain a V_{POS} (typ. 0.87V), the capacitor is charged until SCP threshold voltage (typ. 0.8V), then FP5138 output is disable (internal pull-low) and the capacitor is discharged to low.

The time of short circuit protection is following expression:

$$T_{scp} = 0.8 * C[\mu F]$$

Output transistor

The FP5138 has a totem-pole transistor with a 40mA source/sink current rating to drive an external NPN transistor or NMOS directly. The driving current capability depends on a resistor R that is connected to BR/CTL pin (Pin4) of FP5138. (see fig. 14)

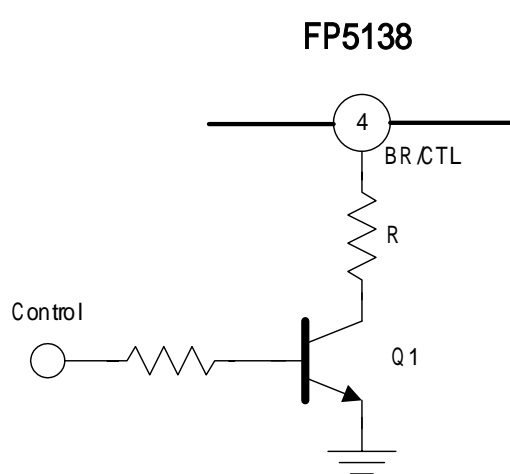


Figure 13. Output transistor driving control circuit

BR/CTL pin can also use to control the output of FP5138 for disable or enable function of system.

Control Pin	Q1	BR/CTL Pin	Output Transistor Function	Mode
Low	Off	Open	Disable	Stand-by
High	On	Bias Current	Enable	Operation

APPLICATION NOTE (1)

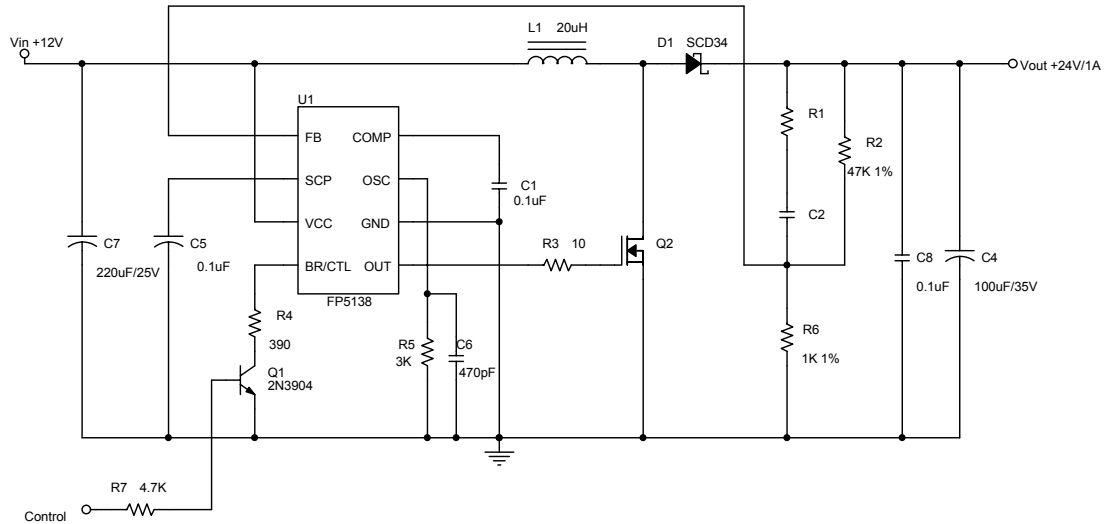


Figure 14. DC12V to DC24V Boost Regulator

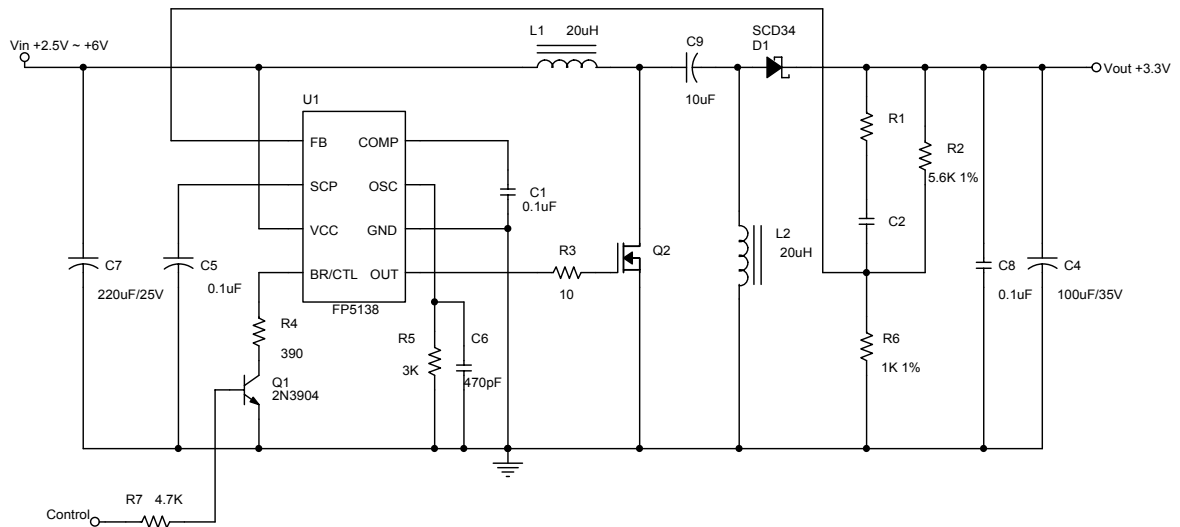


Figure 15. DC2.5V~DC6V to DC3.3V SEPIC Regulator

APPLICATION NOTE (2)

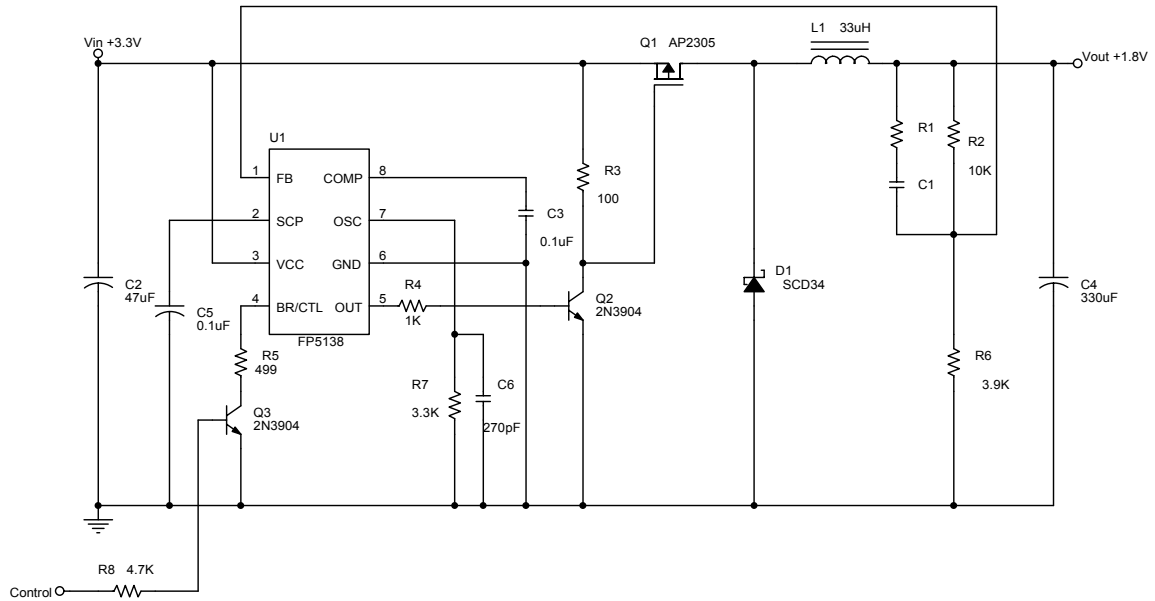


Figure 16. DC3.3V to DC1.8V Buck Regulator

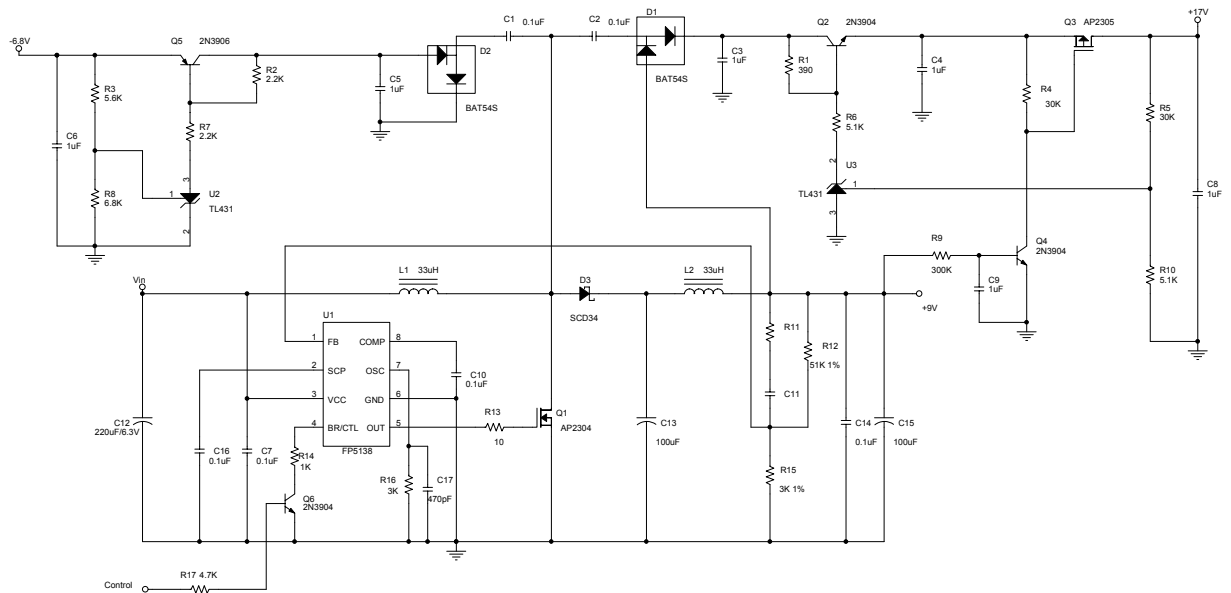


Figure 17. Charge Pump DC-DC Converter Circuits

APPLICATION NOTE (3)

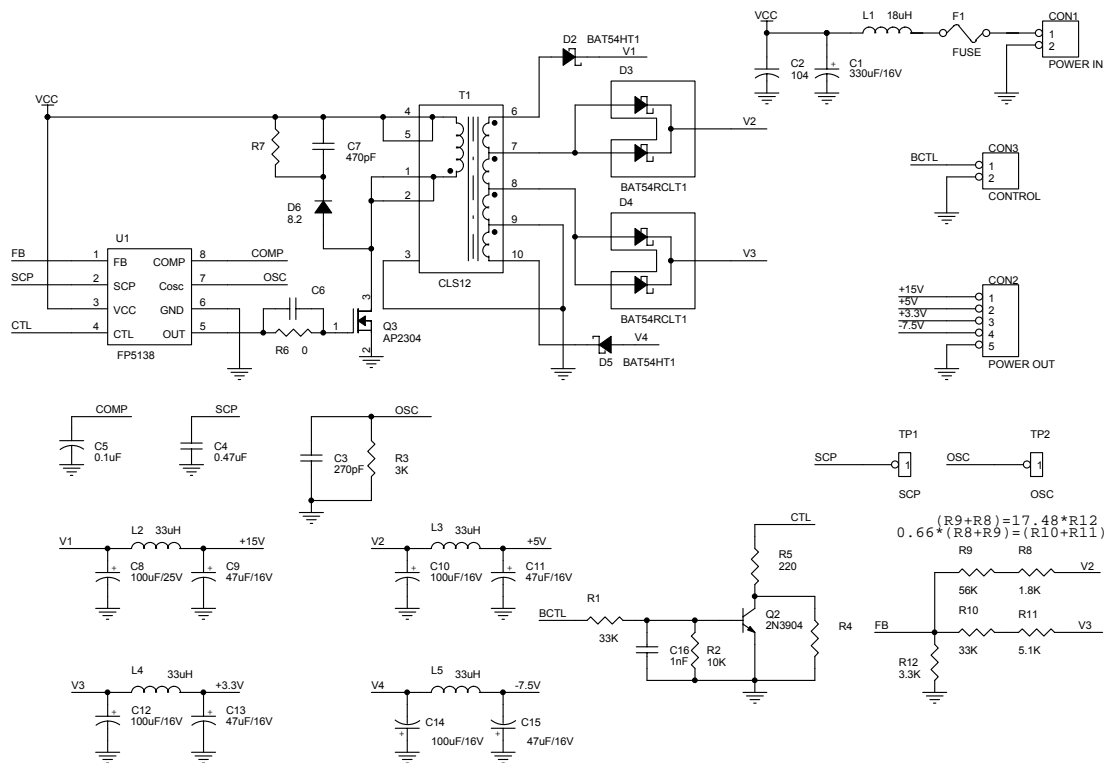
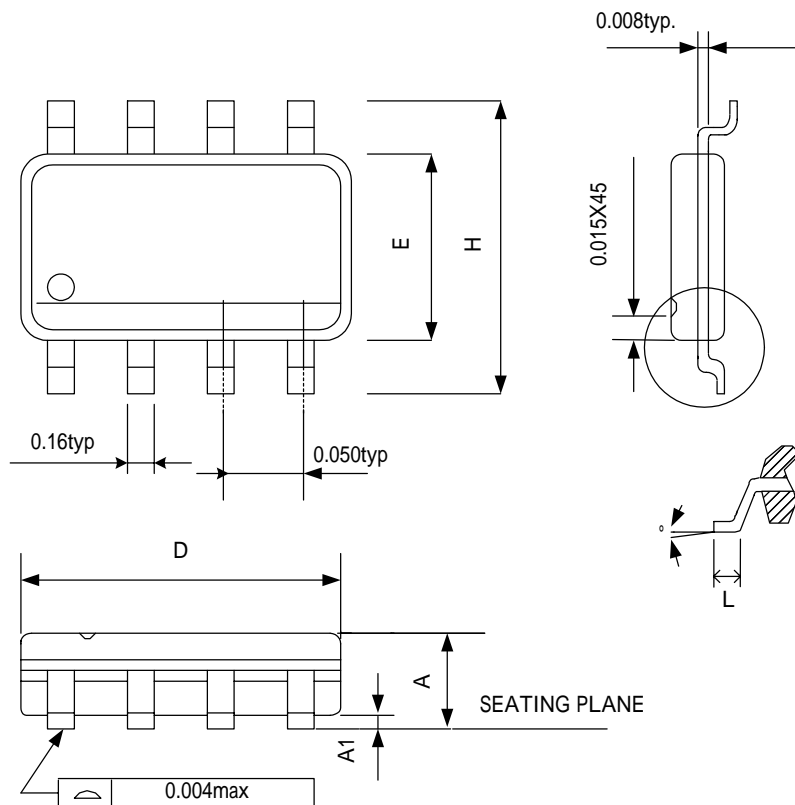


Figure 18. Flyback Multi-output DC-DC Converter Circuits

PACKAGE OUTLINE SOP8

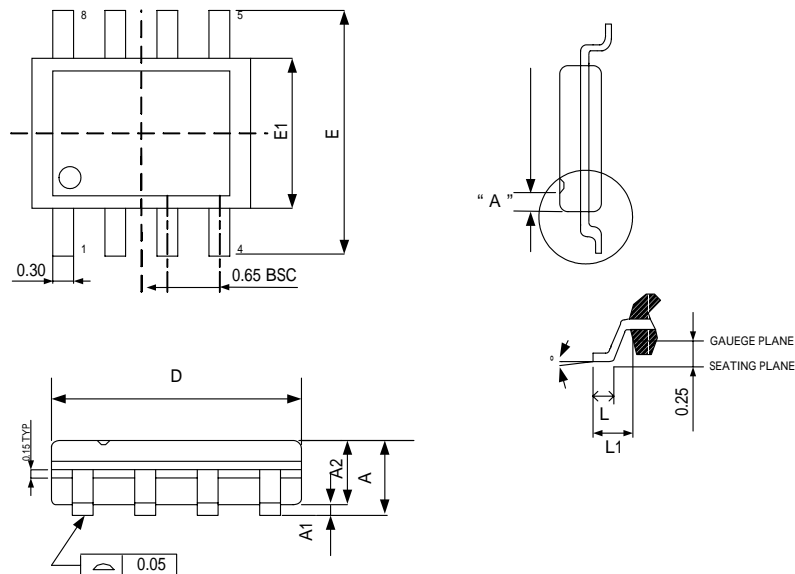


SYMBOLS	MIN	MAX
A	0.053	0.069
A1	0.004	0.010
D	0.189	0.196
E	0.150	0.157
H	0.228	0.244
L	0.016	0.050
°	0	8

NOTE:

1. JEDEC OUTLINE:MS-012 AA
2. DIMENSIONS "D" DOES NOT INCLUDE MOLD FLASH,PROTRUSIONS OR GATE BURRS.MOLD FLASH,PROTRUSIONS AND GATE BURRS SHALL NOT EXCEED .15mm (.0.06in) PER SIDE
3. DIMENSIONS "E" DOES NOT INCLUDE INTER-LEAD FLASH,OR PROTRUSIONS. INTER-LEAD FLASH AND PROTRUSIONS SHALL NOT EXCEED .25mm (.0.10in) PER SIDE.

MSOP8

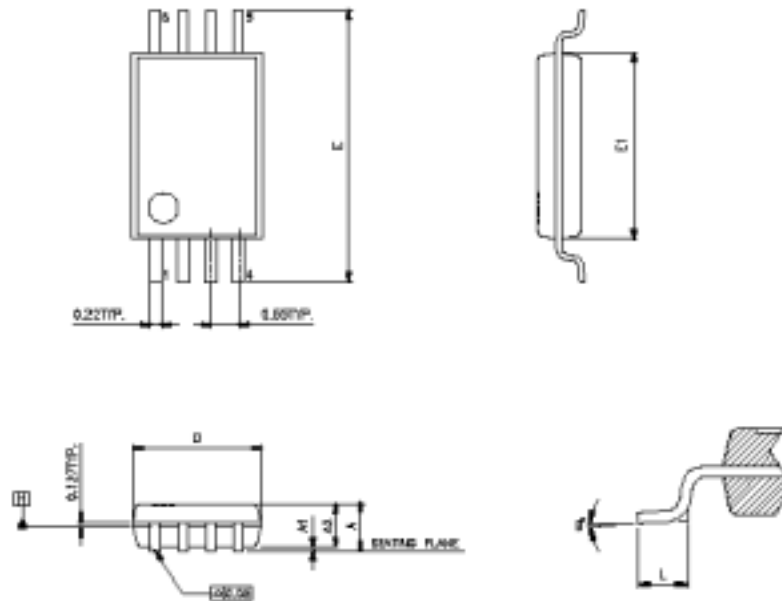


SYMBOLS	MIN	MAX
A	-	1.10
A1	0.00	0.15
A2	0.75	0.95
D	3.00 BSC	
E	4.90 BSC	
E1	3.00 BSC	
L	0.40	0.80
L1	0.95 REF	
°	0	8

NOTE:

1. JEDEC OUTLINE: MO-187 AA
2. DIMENSIONS "D" DOES NOT INCLUDE MOLD FLASH, PROTRUSIONS OR GATE BURRS. MOLD FLASH, PROTRUSIONS AND GATE BURRS SHALL NOT EXCEED 0.15 PER SIDE
3. DIMENSIONS "E1" DOES NOT INCLUDE INTERLEAD FLASH, OR PROTRUSIONS. INTERLEAD FLASH OR PROTRUSIONS SHALL NOT EXCEED 0.25 PER SIDE.
4. DIMENSIONS "0.22" DOES NOT INCLUDE DAMBAR PROTRUSIONS. ALLOWABLE DAMBAR PROTRUSIONS SHALL BE 0.08 MM TOTAL IN EXCESS OF THE '0.22' DIMENSION AT MAXIMUM MATERIAL CONDITION. DAMBAR CANNOT BE LOCATED ON THE LOWER RADIUS OF THE FOOT. MINIMUM SPAC BETWEEN PROTRUSION AND ADJACENT LEAD IS 0.07MM.
5. DIMENSIONS "D" AND 'E1' TO BE DETERMINED AT DATUM PLANE H

TSSOP8



SYMBOLS	MIN	NOR	MAX
A	-	-	1.20
A1	0.05	-	0.15
A2	0.96	1.01	1.06
D	2.90	3.00	3.10
E	6.40 BSC		
E1	4.30	4.40	4.50
L	0.45	0.60	0.75
°	0	-	8

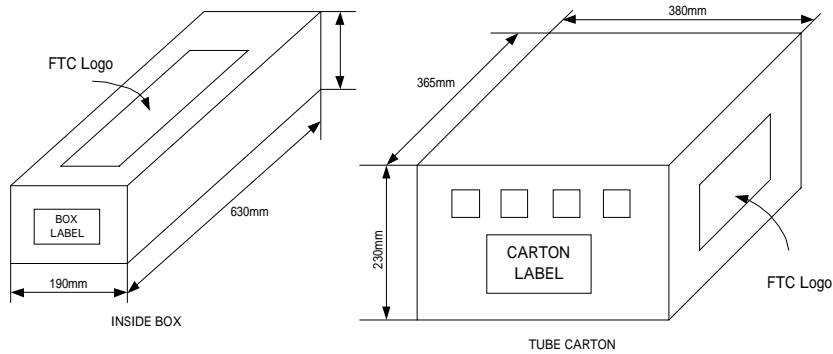
NOTE:

1. JEDEC OUTLINE: MO-187 AA
2. DIMENSIONS "D" DOES NOT INCLUDE MOLD FLASH, PROTRUSIONS OR GATE BURRS. MOLD FLASH, PROTRUSIONS OR GATE BURRS SHALL NOT EXCEED 0.15 PER SIDE
3. DIMENSIONS "E1" DOES NOT INCLUDE INTERLEAD FLASH, OR PROTRUSIONS. INTERLEAD FLASH OR PROTRUSIONS SHALL NOT EXCEED 0.25 PER SIDE.
4. DIMENSIONS "0.22" DOES NOT INCLUDE DAMBAR PROTRUSIONS. ALLOWABLE DAMBAR PROTRUSIONS SHALL BE 0.08 MM TOTAL IN EXCESS OF THE '0.22' DIMENSION AT MAXIMUM MATERIAL CONDITION. DAMBAR CANNOT BE LOCATED ON THE LOWER RADIUS OF THE FOOT. MINIMUM SPAC BETWEEN PROTRUSION AND ADJACENT LEAD IS 0.07MM.
5. DIMENSIONS "D" AND 'E1' TO BE DETERMINED AT DATUM PLANE H

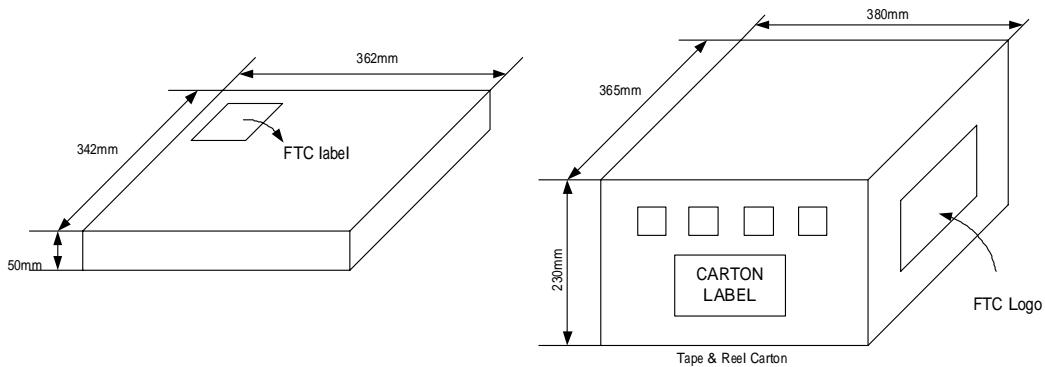
PACKING SPECIFICATIONS

BOX DIMENSION

TUBE INSIDE BOX AND CARTON



TAPE AND REEL INSIDE BOX AND CARTON



PACKING QUANTITY SPECIFICATIONS

SOP 8	MSOP8	TSSOP8	SOP 8	MSOP8	TSSOP8
100	80	160	2500 EA / REEL		
EA/TUBE	EA/TUBE	EA/TUBE	4 INSIDE BOXES / CARTON		
100 TUBES / INSIDE BOX			4 INSIDE BOXES / CARTON		
4 INSIDE BOXES / CARTON					

LABEL SPECIFICATIONS

Tapping & Reel

Feeling Technology Corp. Product : FP5138 Lot No : A3311C62 D/C : 4Xx-XXL Q'ty :	<div style="border: 1px solid black; padding: 2px; display: inline-block;"> 無鉛 Lead Free </div>
--	--

CARTON

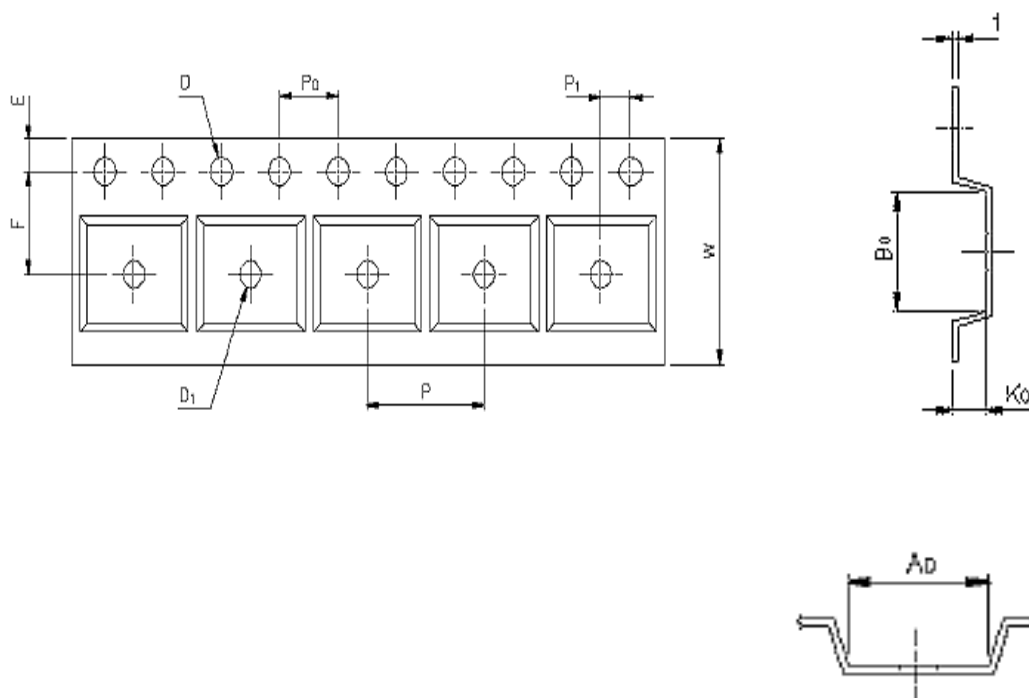
Feeling Technology Corp.	
Product Type: FP5138	
Lot No: A3311C62	
Date Code: 4Xx-XXL	
Package Type: SOP-8L	
Marking Type: Laser	無鉛 Lead Free
Total Q'ty: 10,000	

SOP8

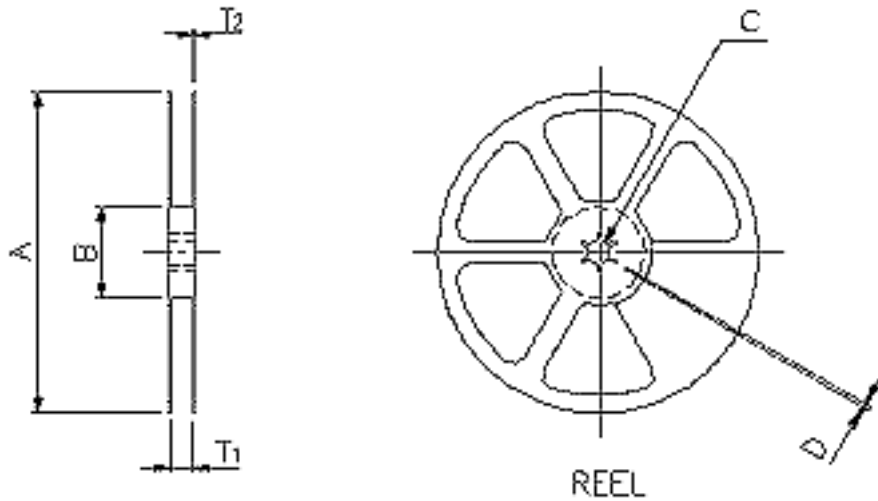
CARRIER TAPE DIMENSIONS

APPLICATION	W	P	E	F	D	D ₁
SOP8	12.0 ^{+0.3} _{-0.1}	8.0±0.1	1.75±0.1	5.5±0.1	1.55±0.1	1.5 ^{+0.25}

APPLICATION	P ₀	P ₁	A _D	B ₀	K ₀	t
SOP8	4.0±0.1	2.0±0.1	6.4±0.1	5.20±0.1	2.1±0.10	0.30±0.013



REEL DIMENSIONS

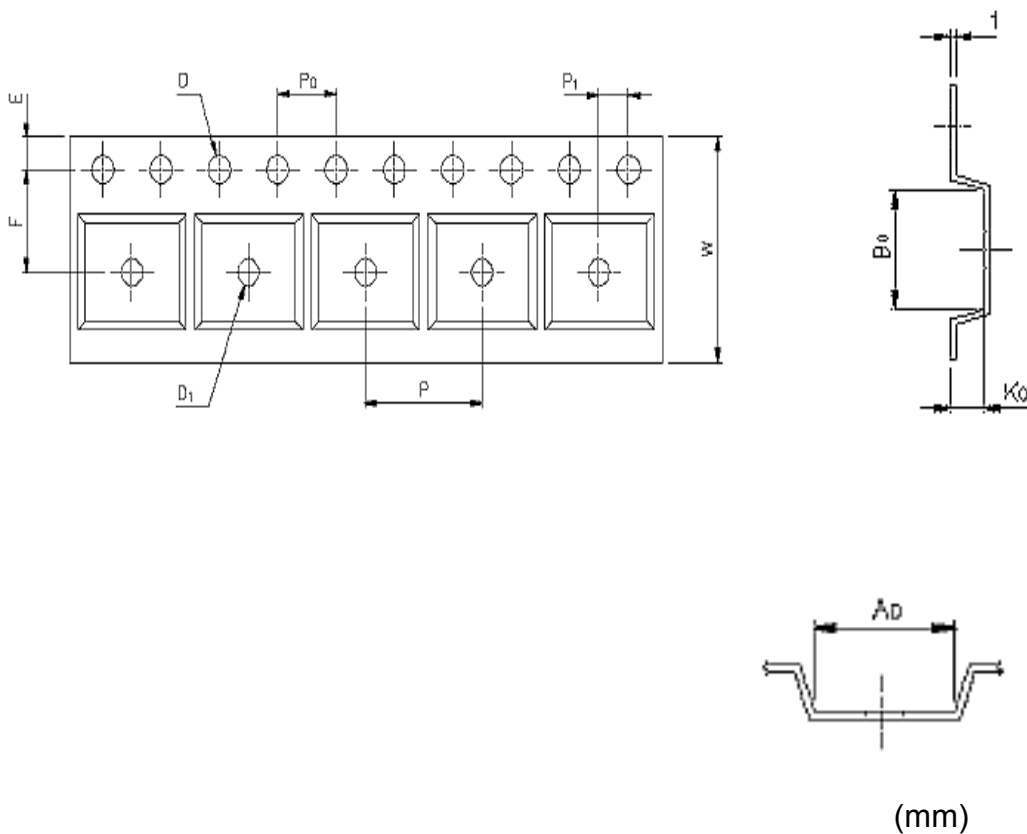


APPLICATION	MATERIAL	A	B	C	D	T ₁	T ₂
SOP8	PLASTIC REEL (WHILE)	330±0.1	62±1.5	12.75+0.15	2+0.6	12.4+0.2	2.0+0.2

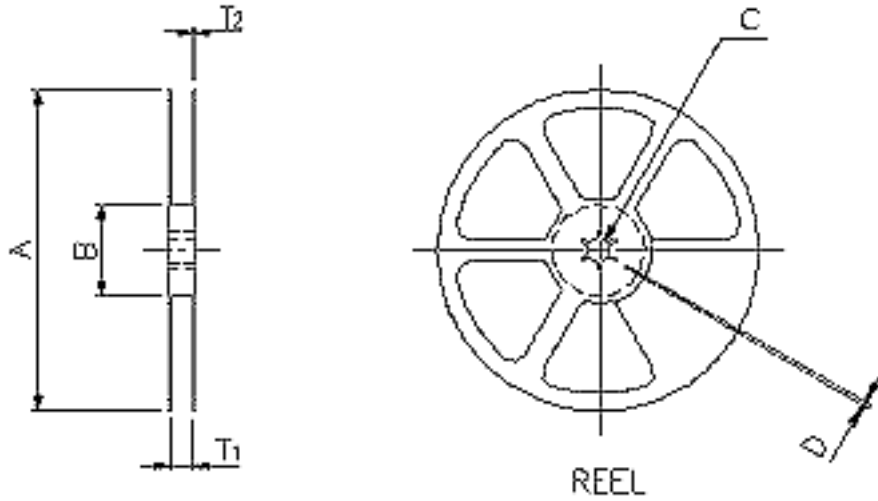
MSOP8
CARRIER TAPE DIMENSIONS

APPLICATION	W	P	E	F	D	D ₁
MSOP8	12.0±3	8.0	1.75±1.0	5.5±0.5	1.5 ^{+0.1}	1.50

APPLICATION	P ₀	P ₁	A _D	B ₀	K ₀	t
MSOP8	4.0±0.1	2.0±0.5	4.20	3.30	1.20	0.30±0.5



REEL DIMENSIONS

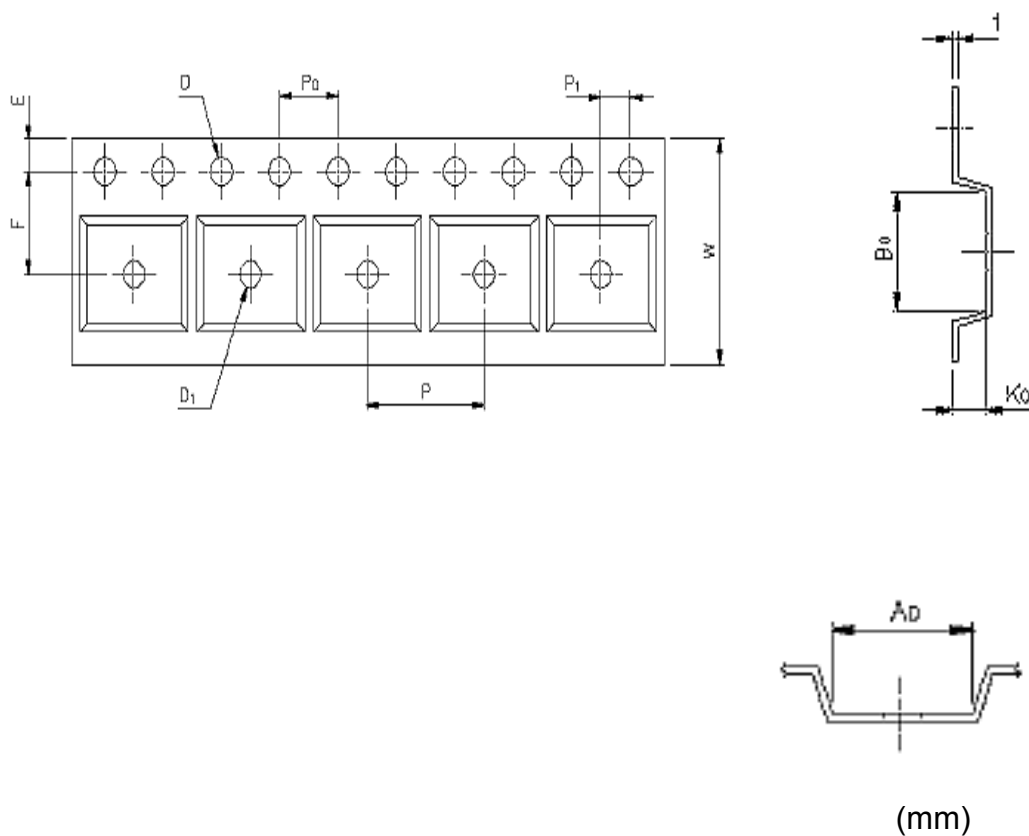


APPLICATION	MATERIAL	A	B	C	D	T ₁	T ₂
MSOP8	PLASTIC REEL (WHITE)	330±1	62±1.5	12.75 ^{+0.15}	2±0.15	12.4 ^{+0.2}	16.8 ^{-0.4}

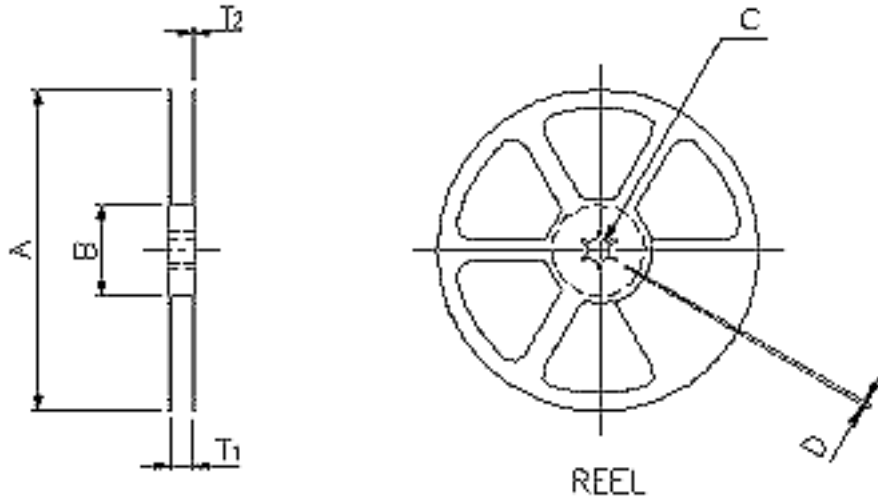
TSSOP8
CARRIER TAPE DIMENSIONS

APPLICATION	W	P	E	F	D	D ₁
TSSOP8	12.0±0.3	8.00	1.75±1.0	5.5±0.05	1.5 ^{+0.1}	1.50

APPLICATION	P ₀	P ₁	A _D	B ₀	K ₀	t
TSSOP8	4.00	2.00±0.05	4.20	3.40	1.30	0.30±0.5



REEL DIMENSIONS



APPLICATION	MATERIAL	A	B	C	D	T ₁
TSSOP8	PLASTIC REEL (WHITE)	330	100	13.0 ^{+0.5}	2±0.5	12.5

SGS REPORT

SGS

Test Report

FEELING TECHNOLOGY CORP.
 2F, NO.287, SEC.2, KUANG FU RD., SHIN-CHU
 CITY, TAIWAN, R.O.C.

Report No : CE/2003/81704
 Date : 2003/08/28
 Page : 1 of 1

The following merchandise was(were) submitted and identified by the client as :


Type of Product : POWER IC (FP5138D)
 Style/Item No : SOP-8
 Sample Received : 2003/08/25.
 Testing Date : 2003/08/25 TO 2003/08/28

Test Result

PART NAME NO.1 : IC(MIX ALL PARTS)

Test Item(s):	Unit	Method	MDL	Result				Spec
				NO.1				
Lead (Pb)	ppm	ICP-AES After As per US EPA3050B or Acid digestion.	2	16.3				

NOTE: (1) N.D. = Not detected. (<MDL)
 (2) ppm = mg/kg
 (3) MDL= Method Detection Limit
 (4) "-" = Not Applicable
 (5) * = Results shown are of the adjusted analytical results.


 Ahren Lee, M.Sc. / Supervisor
 Signed for and on behalf of
 SGS TAIWAN LTD.

0239584

This Test Report is issued by the Company subject to its General Conditions of Service printed elsewhere. Attention is drawn to the introduction of SGS's Identification and Certification System Number (ICS). The results shown in this report were done in the laboratory (center) whose reference number, this Test Report Number (TRN) is 0239584. The TRN is the identification number of the Company. 此報告係由本公司根據其服務條件所發出。本公司之服務條件請向本公司索取。本公司之服務條件號碼(ICS)為0239584。此報告號碼(TRN)為本公司之識別號碼。

No. 126-1 Wu Kong Road, Wuku Industrial Zone, Tainan County, Taiwan. / 台 南 縣 官 田 區 五 股 路 126-1 號
 電話: 81-7-2298111 傳真: 81-7-2298122
 台灣中區分公司 電話: 81-6-2218111 傳真: 81-6-2218122
 Member of SGS Group Service Network & ServiceCenter