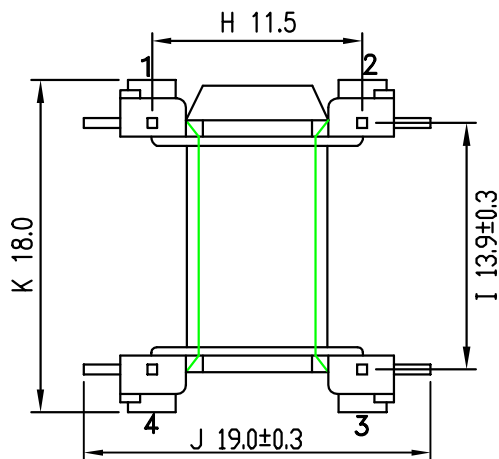
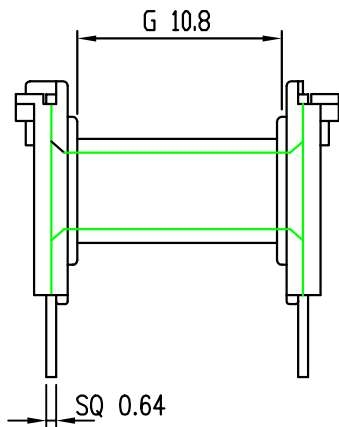
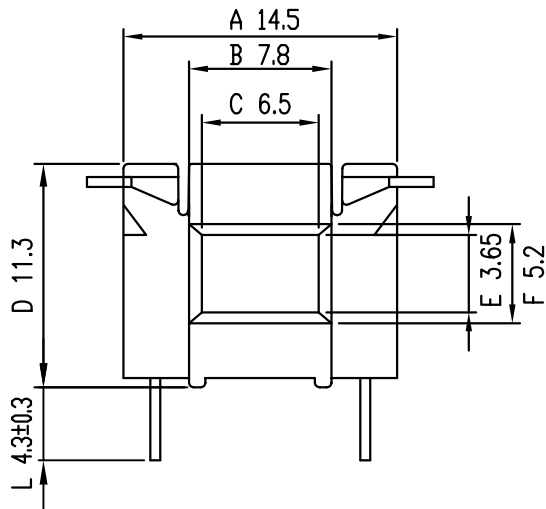
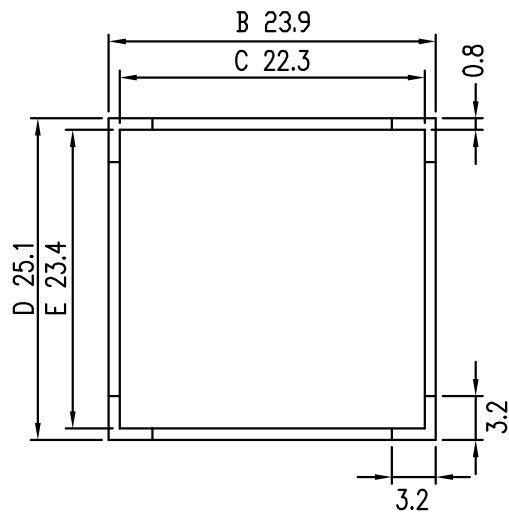
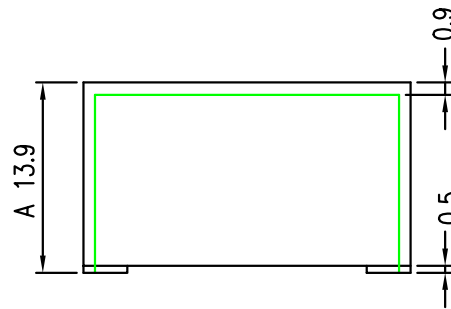




TPI. NO.: 0602102



TPI NO.: 0602101



DATE	REVISED STORY	MODEL : EI-21.4-4PIN (TPI NO. : 0602102) EI-21.4 CASE (TPI NO. : 0602101)		
6/01'02	RELEASED THE NEW DRAWING SPEC.	BOBBIN MATERIAL : 0602102: PBT/GF;PET/GF UL94V-0 0602101: PBT/GF UL94V-0		
		PIN MATERIAL : CP WIRE (TIN PLATED)		
		DATE : June 01,2002	REV.: A	TOLERANCE : .XXX±0.08 .XX ±0.1 .X ±0.2