

Switch-mode LED Driver IC with High Current Accuracy

Features

- ▶ Switch mode controller for single switch drivers
 - o Buck
 - o Boost
 - o Buck-boost
- ▶ Works with high side current sensing
- ▶ Closed loop control of output current
- ▶ High PWM dimming ratio
- ▶ Internal 9 to 250V linear regulator (can be extended using external zener diodes)
- ▶ Internal 2% Voltage Reference ($-40^{\circ}\text{C} < T_A < 85^{\circ}\text{C}$)
- ▶ Constant frequency or constant off-time operation
- ▶ Programmable slope compensation
- ▶ Enable & PWM dimming
- ▶ +0.25A/-0.5A gate drive ($V_{DD} = 10\text{V}$)
- ▶ Output short circuit protection
- ▶ Output over voltage protection
- ▶ Synchronization capability
- ▶ Programmable MOSFET current limit
- ▶ Soft start

General Description

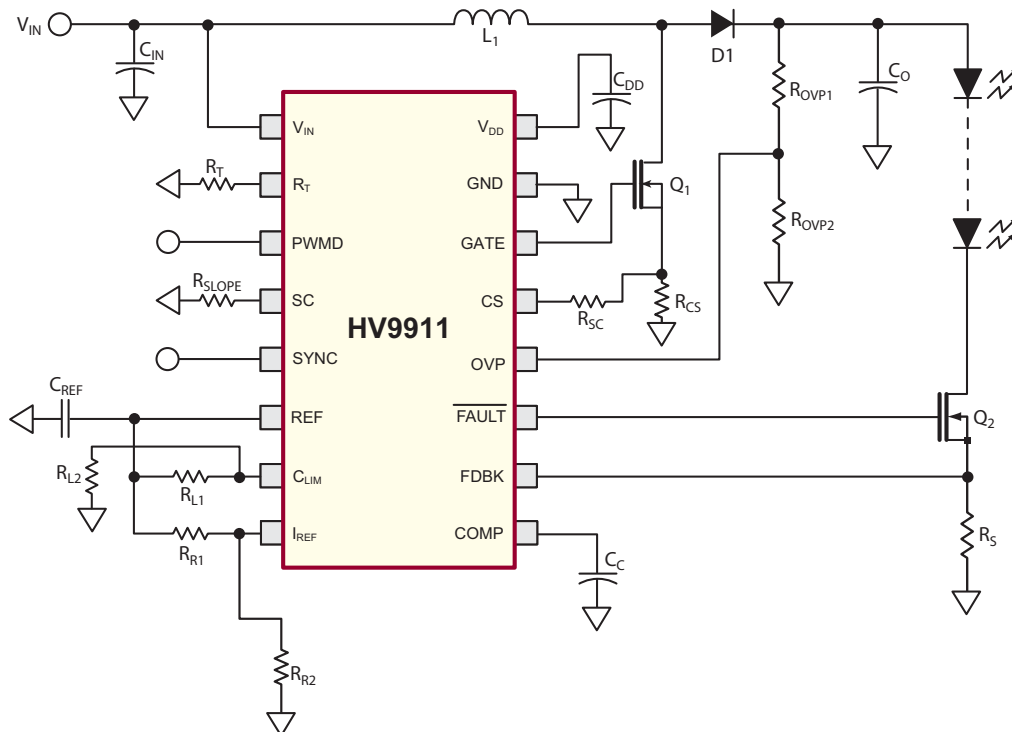
The HV9911 is a current mode control LED driver IC designed to control single switch PWM converters (buck, boost or buck-boost), in a constant frequency or constant off-time mode. The controller uses a peak current control scheme, (with programmable slope compensation), and includes an internal transconductance amplifier to control the output current in closed loop, enabling high output current accuracy (in the case of buck and buck-boost converters, the high side output current can be sensed by using the HV7800). In the constant frequency mode, multiple HV9911s can be synchronized to each other, or to an external clock, using the SYNC pin. Programmable MOSFET current limit enables current limiting during input under voltage and output overload conditions. The IC also includes a 0.25A source and 0.5A sink gate driver for high power applications. An internal 9 to 250V linear regulator powers the IC, eliminating the need for a separate power supply for the IC. HV9911 provides a TTL compatible, PWM dimming input that can accept an external control signal with a duty ratio of 0-100% and a frequency of up to a few kilohertz.

The HV9911 based LED driver is ideal for RGB backlight applications with DC inputs. The HV9911 based LED Lamp drivers can achieve efficiency in excess of 90% for buck and boost applications.

Applications

- ▶ RGB backlight applications
- ▶ Automotive LED driver application
- ▶ Battery Powered LED lamps
- ▶ Other DC/DC LED drivers

Typical Application Circuit



NR011206

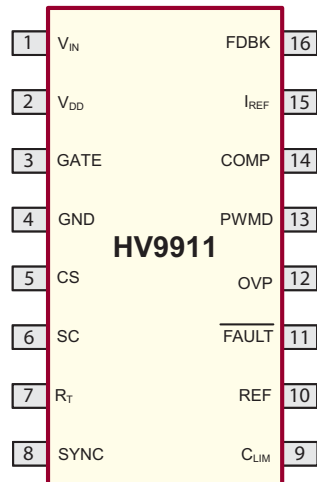
Ordering Information

DEVICE	Package Options
	16-Lead SOIC
HV9911	HV9911NG-G

-G indicates package is RoHS compliant ('Green')



Pin Assignment



Absolute Maximum Ratings

Parameter	Value
V _{IN} to GND	-0.5V to +250V
V _{DD} to GND	-0.3V to +13.5V
CS1, CS2 to GND	-0.3V to (V _{DD} + 0.3V)
PWMD to GND	-0.3V to (V _{DD} + 0.3V)
GATE to GND	-0.3V to (V _{DD} + 0.3V)
All other pins to GND	-0.3V to (V _{DD} + 0.3V)
Continuous Power Dissipation (TA = +25°C)	
16-Pin SOIC (derate 6.3mW/°C above +25°C)	630mW
Operating Temperature Range	-40°C to +85°C
Junction Temperature	+125°C
Storage Temperature Range	-65°C to +150°C

Stresses beyond those listed under "Absolute Maximum Ratings" may cause permanent damage to the device. These are stress ratings only, and functional operation of the device at these or any other conditions beyond those indicated in the operational sections of the specifications is not implied. Exposure to absolute maximum rating conditions for extended periods may affect device reliability.

Electrical Characteristics

(Over recommended operating conditions, $V_{IN} = 24V$, $T_A = 25^\circ C$, unless otherwise specified)

Symbol	Parameter	Min	Typ	Max	Units	Conditions
Input						
V_{INDC}	Input DC supply voltage range*	9	-	250	V	DC input voltage
I_{INSD}	Shut-Down mode supply current*	-	1.0	1.5	mA	PWM_D connected to GND, $V_{IN} = 24V$
Internal Regulator						
V_{DD}	Internally regulated voltage*	7.25	7.75	8.25	V	$V_{IN} = 9-250V$, $I_{DD(ext)} = 0$, PWMD connected to GND
UVLO	V_{DD} undervoltage lockout threshold	6.65	6.90	7.20	V	V_{DD} rising
$\Delta UVLO$	V_{DD} undervoltage lockout hysteresis	-	500	-	mV	---
$V_{DD(ext)}$	Steady State External Voltage which can applied at the V_{DD} pin ¹	-	-	12	V	---
Reference						
V_{REF}	REF pin voltage*	1.225	1.25	1.275	V	REF bypassed with a 0.1 μ F capacitor to GND; $I_{REF} = 0$; $V_{DD} = 7.75V$; PWMD = GND
$V_{REFLINE}$	Line regulation of reference voltage	0	-	20	mV	REF bypassed with a 0.1 μ F capacitor to GND; $I_{REF} = 0$; $V_{DD} = 7.25 - 12V$; PWMD = GND
$V_{REFLOAD}$	Load regulation of reference voltage	0	-	10	mV	REF bypassed with a 0.1 μ F capacitor to GND; $I_{REF} = 0 - 500\mu A$; PWMD = GND
PWM Dimming						
$V_{PWMD(lo)}$	PWMD input low voltage*	-	-	0.80	V	$V_{DD} = 7.25V - 12V$
$V_{PWMD(hi)}$	PWMD input high voltage*	2.0	-	-	V	$V_{DD} = 7.25V - 12V$
R_{PWMD}	PWMD pull-down resistance	50	100	150	k Ω	$V_{PWMD} = 5.0V$
GATE						
I_{SOURCE}	GATE short circuit current	0.2	-	-	A	$V_{GATE} = 0V$; $V_{DD} = 7.75V$
I_{SINK}	GATE sinking current	0.4	-	-	A	$V_{GATE} = 7.75V$; $V_{DD} = 7.75V$
T_{RISE}	GATE output rise time	-	50	85	ns	$C_{GATE} = 1nF$; $V_{DD} = 7.75V$
T_{FALL}	GATE output fall time	-	25	45	ns	$C_{GATE} = 1nF$; $V_{DD} = 7.75V$
Over Voltage Protection						
V_{OVP}	IC Shut down voltage*	1.215	1.25	1.285	V	$V_{DD} = 7.25 - 12V$; OVP rising
Current Sense						
T_{BLANK}	Leading Edge Blanking	100	-	375	ns	---
T_{DELAY1}	Delay to Output of OP comparator	-	-	180	ns	$OP = V_{DD}$; $C_{LIM} = REF$; $C_{SENSE} = 0$ to 600mV step
T_{DELAY2}	Delay to Output of C_{LIMIT} comparator	-	-	180	ns	$OP = V_{DD}$; $C_{LIM} = 300mV$; $C_{SENSE} = 0$ to 400mV step
V_{OFFSET}	Comparator Offset voltage	-10	-	10	mV	---

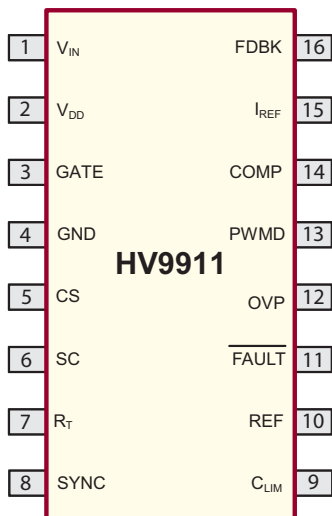
Symbol	Parameter	Min	Typ	Max	Units	Conditions
Internal Transconductance Opamp						
GB	Gainbandwidth product [#]	-	1.0	-	MHz	75pF capacitance at OP pin
A_V	Open Loop DC Gain	66	-	-	dB	Output Open
V_{CM}	Input common-mode range [#]	-0.3	-	3.0	V	---
V_O	Output Voltage Range [#]	0.7	-	6.75	-	$V_{DD} = 7.75V$
g_m	Transconductance	340	435	530	$\mu A/V$	---
V_{OFFSET}	Input Offset Voltage	-3.0	-	3.0	mV	---
I_{BIAS}	Input bias current [#]	-	0.5	1.0	nA	---
Oscillator						
$f_{OSC, MIN}$	Minimum Oscillator frequency*	22	25	28	kHz	$R_T = 3.65M\Omega$
$f_{OSC, MAX}$	Maximum Oscillator frequency*	308	350	392	kHz	$R_T = 261k\Omega$
D_{MAX}	Maximum Duty cycle	-	90	-	%	---
$I_{OUTSYNC}$	Sync output current	-	10	20	μA	---
I_{INSYNC}	Sync input current	0	-	200	μA	$V_{SYNC} < 0.1V$
Output Short Circuit						
T_{OFF}	Propagation time for short circuit detection	-	-	250	ns	NI=200mV ; INV=450mV; \overline{FAULT} goes from high to low
$T_{RISE, FAULT}$	Fault output rise time	-	-	300	ns	1nF capacitor at \overline{FAULT} pin
$T_{FALL, FAULT}$	Fault output fall time	-	-	200	ns	1nF capacitor at \overline{FAULT} pin
G_{FAULT}	Amplifier gain at NI pin	1.8	2	2.2		NI=200mV
Soft Start						
I_{CLIM}	Current into CLIM pin when pulled low	-	-	200	μA	\overline{FAULT} is low ; 6.25k resistor between REF and C_{LIM}
Slope Compensation						
I_{SLOPE}	Current Sourced out of SLOPE pin	0	-	100	μA	---
G_{SLOPE}	Internal Current Mirror ratio	1.8	2	2.2	-	$I_{SLOPE} = 50\mu A$; $RC_{SENSE} = 1k\Omega$

¹ Parameters are not guaranteed to be within specifications if the external V_{DD} voltage is greater than $V_{DD(ext)}$

* Specifications which apply over the full operating ambient temperature range of $-40^\circ C < T_A < +85^\circ C$.

Guaranteed by design

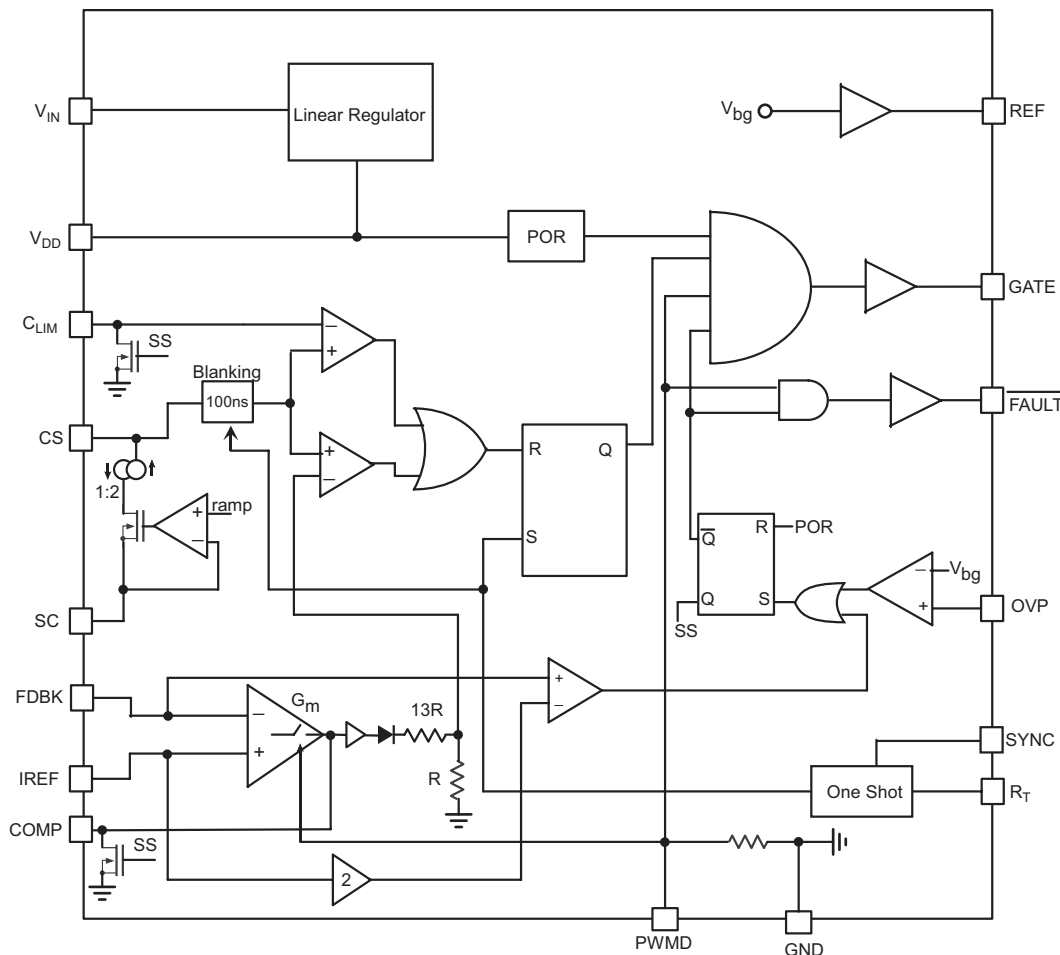
Pin Assignment



Pin Description

Pin #	Pin	Description
1	V _{IN}	This pin is the input of a 9 – 250V high voltage regulator.
2	V _{DD}	This is a power supply pin for all internal circuits. It must be bypassed with a low ESR capacitor to GND (at least 0.1uF).
3	GATE	This pin is the output gate driver for an external N-channel power MOSFET.
4	GND	Ground return for all circuits. This pin must be connected to the return path from the input.
5	CS	This pin is used to sense the drain current of the external power FET. It includes a built-in 100ns (min) blanking time.
6	SC	Slope compensation for current sense. A resistor between SC and GND will program the slope compensation. In case of constant off-time mode of operation, slope compensation is unnecessary and the pin can be left open.
7	R _T	This pin sets the frequency or the off-time of the power circuit. A resistor between RT and GND will program the circuit in constant frequency mode. A resistor between RT and GATE will program the circuit in a constant off-time mode.
8	SYNC	This I/O pin may be connected to the SYNC pin of other HV9911 circuits and will cause the oscillators to lock to the highest frequency oscillator.
9	C _{LIM}	This pin provides a programmable input current limit for the converter. The current limit can be set by using a resistor divider from the REF pin. Soft start can also be provided using this pin.
10	REF	This pin provides 2% accurate reference voltage. It must be bypassed with at least a 10nF capacitor to GND
11	FAULT	This pin is pulled to ground when there is an output short circuit condition or output over voltage condition. This pin can be used to drive an external MOSFET in the case of boost converters to disconnect the load from the source
12	OVP	This pin provides the over voltage protection for the converter. When the voltage at this pin exceeds 1.25V, the gate output of the HV9912 is turned off and FAULT goes low. The IC will turn on when the power is recycled
13	PWMD	When this pin is pulled to GND (or left open), switching of the HV9911 is disabled. When an external TTL high level is applied to it, switching will resume
14	COMP	Stable Closed loop control can be accomplished by connecting a compensation network between COMP and GND
15	I _{REF}	The voltage at this pin sets the output current level. The current reference can be set using a resistor divider from the REF pin
16	FDBK	This pin provides output current feedback to the HV9911 by using a current sense resistor

Functional Block Diagram



Functional Description

Power Topology

Continuous mode buck and boost converters are ideal as LED drivers, as they can achieve high efficiencies greater than 90%. The HV9911 is a switch-mode converter LED driver designed to control a continuous conduction mode buck or boost in a constant frequency (or constant off-time) mode. The IC includes an internal linear regulator, which operates from input voltages of 9V to 250V eliminating the need for an external power supply for the IC. The IC includes features typically required in LED drivers like open LED protection, output short circuit protection, linear and PWM dimming, programmable input current limiting and accurate control of the LED current. A high current gate drive output enables the controller to be used in high power converters.

Linear Regulator

The built in linear regulator operates from input voltages of 9V to 250V and provides a 7.75V voltage at the V_{DD} pin. This 7.75V is used to power the IC and also provide the power to

external circuits connected at the V_{DD} and V_{REF} pins. This linear regulator can be turned off by overdriving the V_{DD} pin using an external bootstrap circuit at voltages higher than 8.25V (up to 12V). The input voltage range of the IC can be increased to 450V by putting a 200V zener in series with the IC at the V_{IN} pin.

Although this linear regulator can power the IC by itself, at higher input voltages and/or higher operating temperatures, it might be necessary to supply power using an external bootstrap circuit as the excessive power dissipation in the IC might cause the IC to fail. This would also result in improved efficiencies for the overall circuit. Dropping the input voltage across an external zener diode would also help to divert the power dissipation away from the IC.

The V_{DD} pin of the IC should be bypassed with at least a 0.1 μ F, low ESR capacitor.

Reference

HV9911 includes a 2% accurate, 1.25V reference, which can be used as the reference for the output current as well as to set the switch current limit. This reference is also used internally to set the over voltage protection threshold. The reference is buffered so that it can deliver a maximum of 500µA external current to drive the external circuitry. The reference should be bypassed with at least a 10nF low ESR capacitor.

Oscillator

The oscillator can be set in two ways. Connecting the oscillator resistor between the RT and GATE pins will program the off-time. Connecting the resistor between RT and GND will program the time period.

In both cases, resistor RT sets the current, which charges an internal oscillator capacitor. The capacitor voltage ramps up linearly and when the voltage increases beyond the internal set voltage, a comparator triggers the SET input of the internal SR flip-flop. This starts the next switching cycle. The time period of the oscillator can be computed as:

$$T_s \approx RT \times 11 pF$$

Slope Compensation

For converters operating in the constant frequency mode, slope compensation becomes necessary to ensure stability of the peak current mode controller, if the operating duty cycle is greater than 0.5. Choosing a slope compensation which is one half of the down slope of the inductor current ensures that the converter will be stable for all duty cycles.

Slope compensation can be programmed by two resistors R_{SLOPE} and R_{SC} . Assuming a down slope of DS (A/µs) for the inductor current, the slope compensation resistors can be computed as:

$$R_{slope} = \frac{10 \times R_{SC}}{DS \times 10^6 \times T_s \times R_{cs}}$$

A typical value for Rsc is 499Ω.

Note: The maximum current that can be sourced out of the SC pin is limited to 100µA. This limits the minimum value of the R_{SLOPE} resistor to 25kΩ. If the equation for slope compensation produces a value of R_{SLOPE} less than this value, then R_{SC} would have to be reduced accordingly. It is recommended that R_{SLOPE} be chosen in the range of 25kΩ - 50kΩ.

Current Sense

The current sense input of the HV9911 includes a built in 100ns (minimum) blanking time to prevent spurious turn off due to the initial current spike when the FET turns on.

The HV9911 includes two high-speed comparators – one is used during normal operation and the other is used to limit the maximum input current during input under voltage or overload conditions.

The IC includes an internal resistor divider network, which steps down the voltage at the COMP pin by a factor of 15. This stepped-down voltage is given to one of the comparators as the current reference. The reference to the other comparator, which acts to limit the maximum inductor current, is given externally.

It is recommended that the sense resistor R_{CS} be chosen so as to provide about 250mV current sense signal.

Current Limit

Current limit has to be set by a resistor divider from the 1.25V reference available on the IC. Assuming a maximum operating inductor current i_{pk} (including the ripple current), the maximum voltage at the C_{LIM} pin can be set as:

$$V_{CLIM} \geq 1.2 \times I_{pk} \times R_{cs} + \frac{5 \times R_{sc}}{R_{slope}} \times 0.9$$

Note that this equation assumes a current limit at 120% of the maximum input current. Also, if V_{CLIM} is greater than 450mV, the saturation of the internal opamp will determine the limit on the input current rather than the C_{LIM} pin. In such a case, the sense resistor R_{CS} should be reduced till V_{CLIM} reduces below 450mV.

It is recommended that no capacitor be connected between C_{LIM} and GND. If necessary, the capacitor value must be chosen to be less than 1000pF.

FAULT protection

The HV9911 has built-in output over-voltage protection and output short circuit protection. Both protection features are latched, which means that the power to the IC must be recycled to reset the IC. The IC also includes a FAULT pin which goes low during any fault condition. At startup, a monoshot circuit, (triggered by the POR circuit), resets an internal flip-flop which causes FAULT to go high, and remains high during normal operation. This also allows the gate drive to function normally. This pin can be used to drive an external disconnected switch (Q2 in the Typical Boost Application Circuit on pg.1), which will disconnect the load during a fault condition. This disconnect switch is very important in a boost converter, as turning off the switching FET (Q1) during

an output short circuit condition will not remove the fault (Q1 is not in the path of the fault current). The disconnect switch will help to disconnect the shorted load from the input.

Over Voltage Protection

Over voltage protection is achieved by connecting the output voltage to the OVP pin through a resistive divider. The voltage at the OVP pin is constantly compared to the internal 1.25V. When the voltage at this pin exceeds 1.25V, the IC is turned off and $\overline{\text{FAULT}}$ goes low.

Output Short Circuit Protection

The output short circuit condition is indicated by $\overline{\text{FAULT}}$. At startup, a monoshot circuit, (triggered by the POR circuit), resets an internal flip-flop, which causes $\overline{\text{FAULT}}$ to go high, and remains high during normal operation. This also allows the gate drive to function normally.

The steady state current is reflected in the reference voltage connected to the transconductance amplifier. The instantaneous output current is sensed from the INV terminal of the amplifier. The short circuit threshold current is internally set to 200% of the steady state current.

During short circuit condition, when the current exceeds the internally set threshold, the SR flip-flop is set and $\overline{\text{FAULT}}$ goes low. At the same time, the gate driver of the power FET is inhibited, providing a latching protection. The system can be reset by cycling the input voltage to the IC.

Note: The short circuit FET should be connected before the current sense resistor as reversing R_s and Q2 will affect the accuracy of the output current (due to the additional voltage drop across Q2 which will be sensed).

Synchronization

The SYNC pin is an input/output (I/O) port to a fault tolerant peer-to-peer and/or master clock synchronization circuit. For synchronization, the SYNC pins of multiple HV9911 based converters can be connected together and may also be connected to the open drain output of a master clock. When connected in this manner, the oscillators will lock to the device with the highest operating frequency. When synchronizing multiple ICs, it is recommended that the same timing resistor be (corresponding to the switching frequency) be used in all the HV9911 circuits.

In rare occasions, given the length of the connecting lines for the SYNC pins, a resistor between SYNC and GND may be required to damp any ringing due to parasitic capacitances. It is recommended that the resistor chosen be greater than 300k Ω .

When synchronized in this manner, a permanent HIGH or LOW condition on the SYNC pin will result in a loss of synchronization, but the HV9911 based converters will continue to operate at their individually set operating frequency. Since loss of synchronization will not result in total system failure, the SYNC pin is considered fault tolerant.

Internal 1MHz Transconductance Amplifier

HV9911 includes a built in 1MHz transconductance amplifier, with tri-state output, which can be used to close the feedback loop. The output current sense signal is connected to the FDBK pin and the current reference is connected to the I_{REF} pin.

The output of the opamp is controlled by the signal applied to the PWMD pin. When PWMD is high, the output of the opamp is connected to the COMP pin. When PWMD is low, the output is left open. This enables the integrating capacitor to hold the charge when the PWMD signal has turned off the gate drive. When the IC is enabled, the voltage on the integrating capacitor will force the converter into steady state almost instantaneously.

The output of the opamp is buffered and connected to the current sense comparator using a 15:1 divider. The buffer helps to prevent the integrator capacitor from discharging during the PWM dimming state.

Linear Dimming

Linear dimming can be accomplished by varying the voltage at the I_{REF} pin, as the output current is proportional to the voltage at the I_{REF} pin. This can be done either by using a potentiometer from the REF pin or by applying an external voltage source at the I_{REF} pin.

Note that due to the offset voltage of the transconductance opamp, pulling the I_{REF} pin very close to GND will cause the internal short circuit comparator to trigger and shut down the IC. This limits the linear dimming range of the IC. However, a 1:10 linear dimming range can be easily obtained. It is recommended that the PWMD pin be used to get zero output current rather than pull the I_{REF} pin to GND.

PWM Dimming

PWM dimming can be achieved by driving the PWMD pin with a TTL compatible square wave source. The PWM signal is connected internally to the three different nodes – the transconductance amplifier, the $\overline{\text{FAULT}}$ output, and the GATE output.

When the PWMD signal is high, the GATE and $\overline{\text{FAULT}}$ pins are enabled, and the output of the transconductance opamp is connected to the external compensation network. Thus,

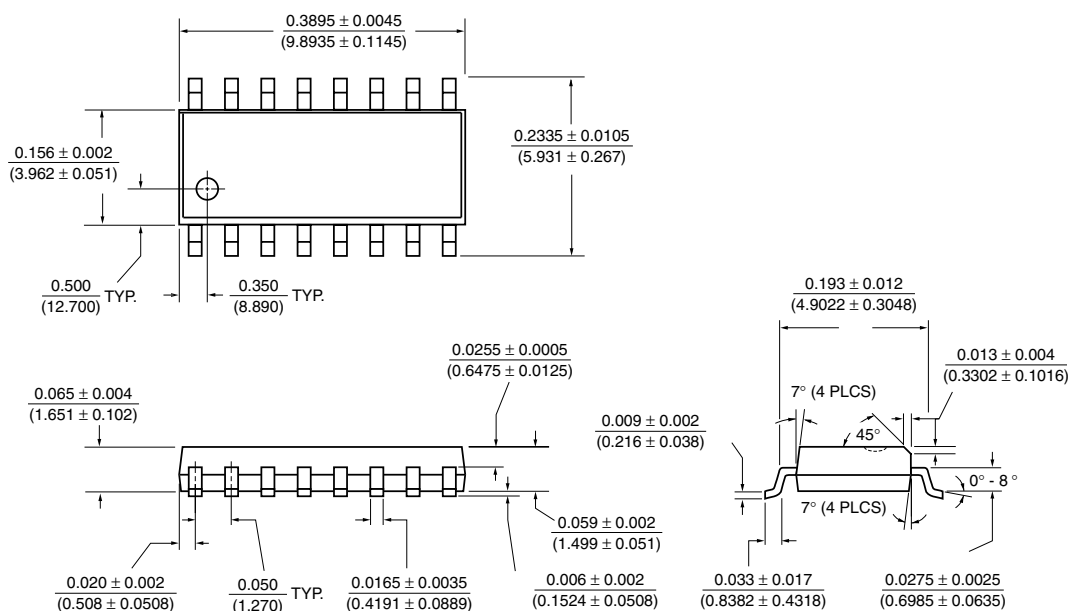
the internal amplifier controls the output current. When the PWM signal goes low, the output of the transconductance amplifier is disconnected from the compensation network. Thus, the integrating capacitor maintains the voltage across it. The GATE is disabled, so the converter stops switching and the FAULT pin goes low, turning off the disconnect switch.

The output capacitor of the converter determines the PWM dimming response of the converter, since it has to get charged and discharged whenever the PWM signal goes high or low. In the case of a buck converter, since the inductor current is continuous, a very small capacitor is used across the LEDs. This minimizes the effect of the capacitor on the PWM dimming response of the converter. However, in the case of a boost converter, the output current is

discontinuous, and a very large output capacitor is required to reduce the ripple in the LED current. Thus, this capacitor will have a significant impact on the PWM dimming response. By turning off the disconnect switch when PWM goes low, the output capacitor is prevented from being discharged, and thus the PWM dimming response of the boost converter improves dramatically.

Note that disconnecting the capacitor might cause a sudden spike in the capacitor voltage as the energy in the inductor is dumped into the capacitor. This might trigger the OVP comparator if the OVP point is set too close to the maximum operating voltage. Thus, either the capacitor has to be sized slightly larger or the OVP set point has to be increased.

16-LEAD SO PACKAGE (NG) (NARROW BODY)



$$\text{Measurement Legend} = \frac{\text{Dimensions in Inches}}{\text{Dimensions in Millimeters}}$$

Supertex inc. does not recommend the use of its products in life support applications, and will not knowingly sell its products for use in such applications, unless it receives an adequate "product liability indemnification insurance agreement". **Supertex** does not assume responsibility for use of devices described and limits its liability to the replacement of the devices determined defective due to workmanship. No responsibility is assumed for possible omissions or inaccuracies. Circuitry and specifications are subject to change without notice. For the latest product specifications, refer to the **Supertex** website: <http://www.supertex.com>.

©2005 **Supertex inc.** All rights reserved. Unauthorized use or reproduction is prohibited.

Supertex inc.

1235 Bordeaux Drive, Sunnyvale, CA 94089
TEL: (408) 222-8888 / FAX: (408) 222-4895

www.supertex.com