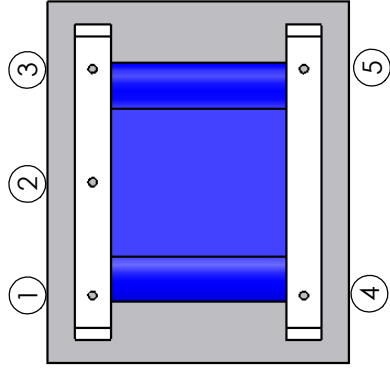
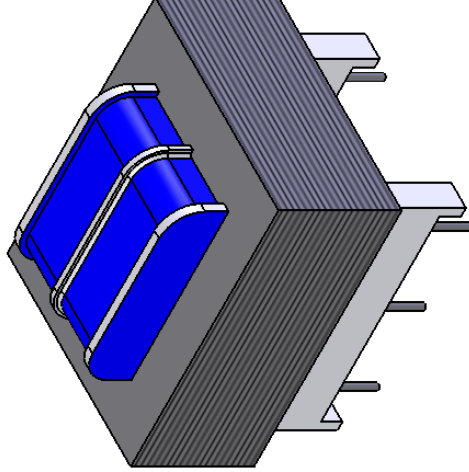
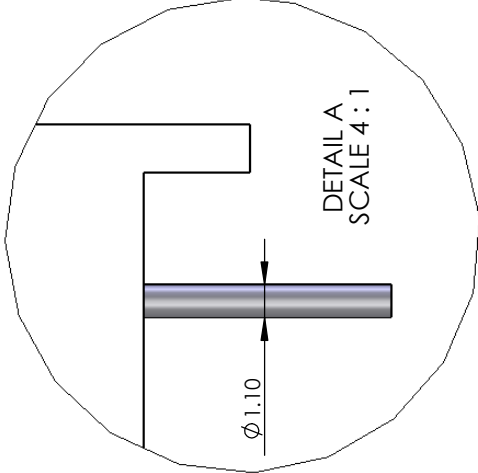
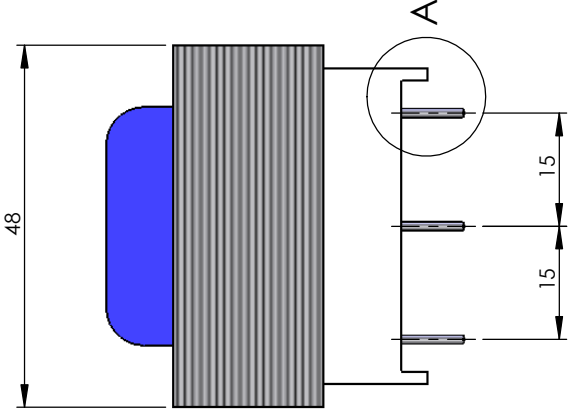
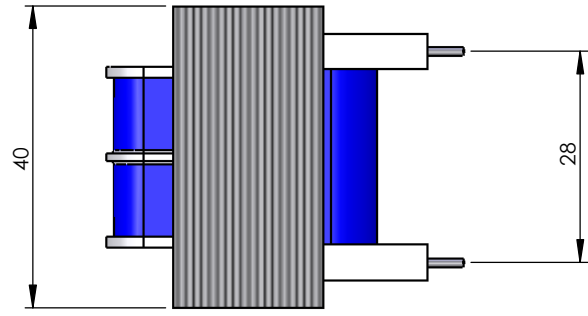


# PART NUMBER: TRANSFORMER2



BOTTOM VIEW

APPROXIMATE DIMENSIONS

## TRANSFORMER DATA

PRIMARY COIL	220 - 240VAC 50 - 60 hz
SECONDARY COIL	24VAC
RATING	12VA OR GREATER
DIELECTRIC STRENGTH	4000V
PIN1	PRIMARY COIL: 220 - 240VAC
PIN2	NC: USED FOR SUPPORT ONLY
PIN3	PRIMARY COIL: 220 - 240VAC
PIN4	SECONDARY COIL: 24VAC
PIN5	SECONDARY COIL: 24VAC

PART NUMBER: TRANSFORMER2

## SPECIFICATIONS

ALL DIMENSIONS IN mm UNLESS SPECIFIED

THIS DRAWING REMAINS THE PROPERTY OF CHARLES H. GRIFFITH & CO AND CANNOT BE COPIED OR ISSUED WITHOUT WRITTEN PERMISSION



Chamberlain Australia  
 ACB 000 190 518  
 15 Dell Rd (PO BOX 106)  
 West Gosford 2250  
 PH (02) 43233877 FAX (02) 43233882  
 e-mail production@grifco.com.au

Scale 1:1