

Fig. 3 RT9266 for Higher Current Applications

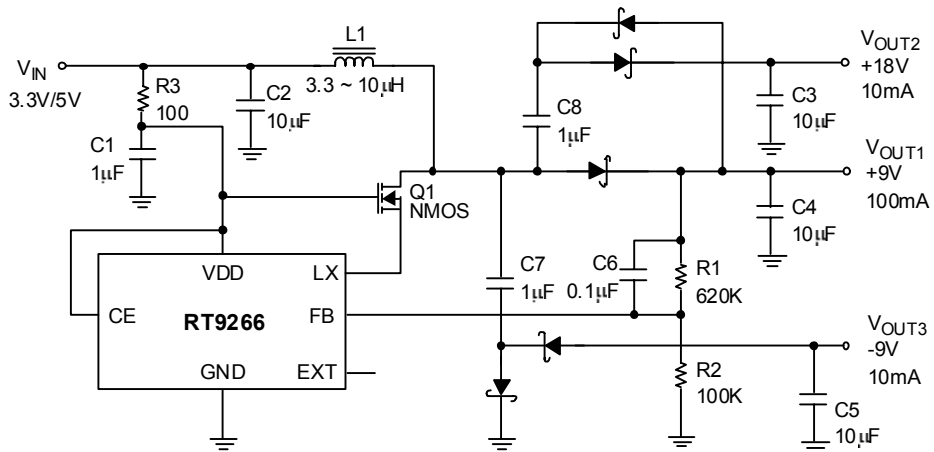


Fig. 4 RT9266 for Multi-Output Applications