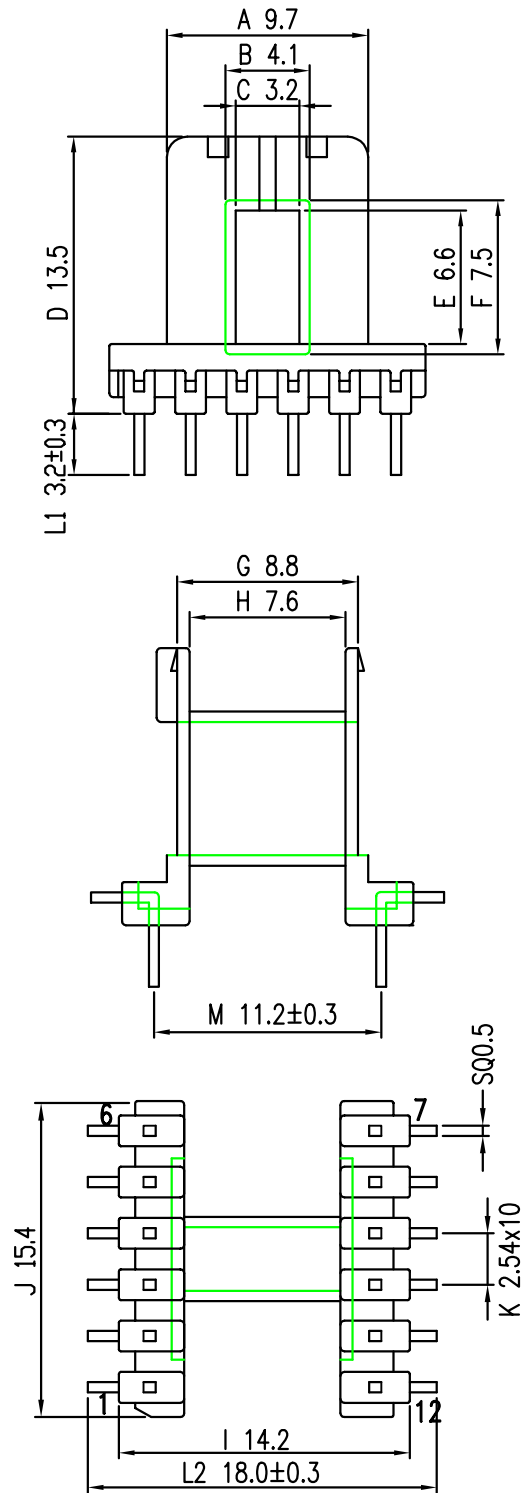




TPI NO.: 0611307



DATE	REVISED STORY	MODEL : EE-13-12PIN (TPI NO. : 0611307)		
6/01'02	RELEASED THE NEW DRAWING SPEC.	BOBBIN MATERIAL : Nylon 46/GF UL94V-0		
		PIN MATERIAL : CP WIRE (TIN PLATED)		
		DATE : June 01,2002	REV.: A	TOLERANCE : .XXX±0.08 .XX ±0.1 .X ±0.2