



# LCD-TV Integrated Power Supply

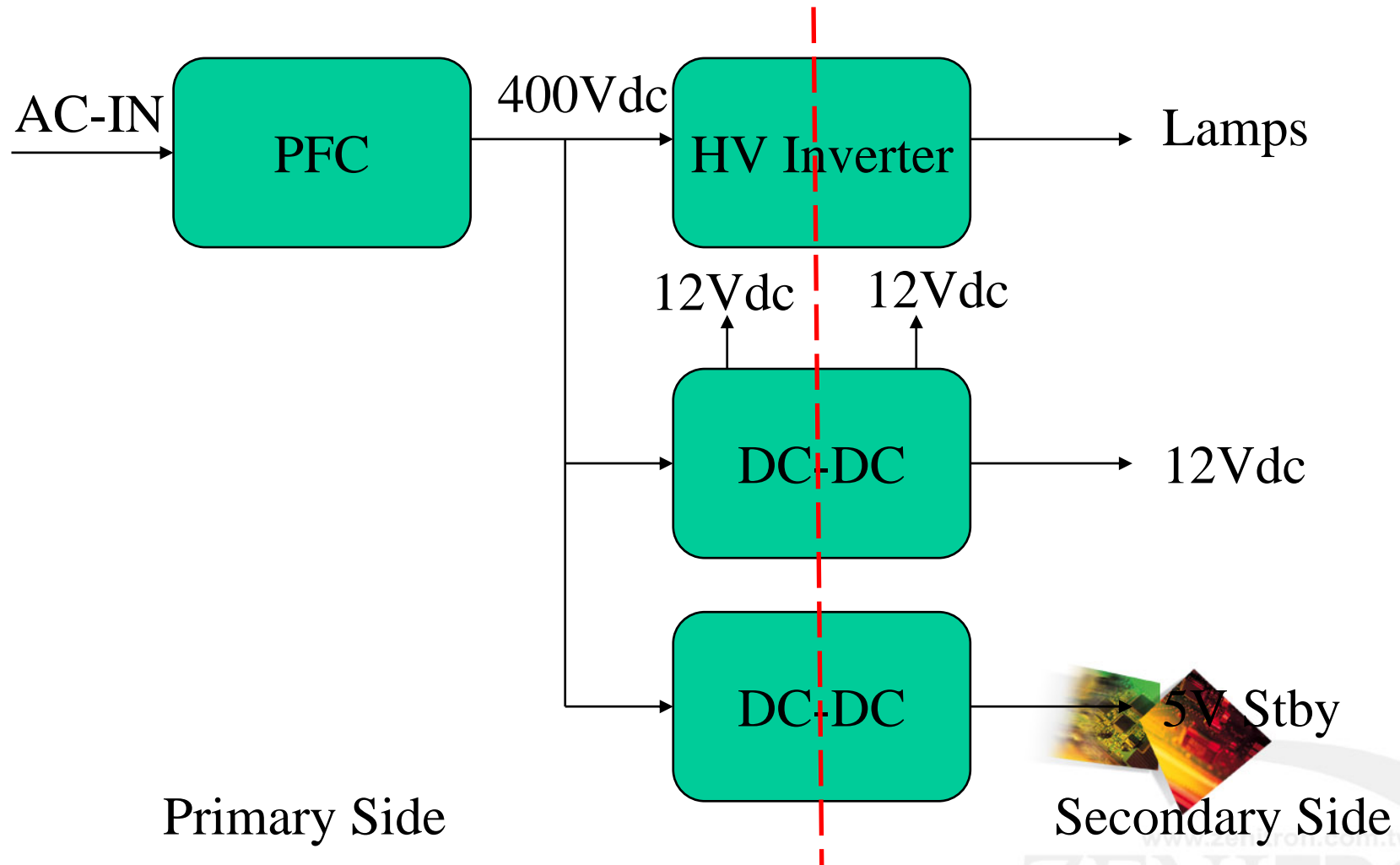


增你強股份有限公司  
Zenitron Corporation

[www.zenitron.com.tw](http://www.zenitron.com.tw)  
**Zenitron FAE :**  
**Roy Chang**



# LCD-TV LIPS Topology Introduction



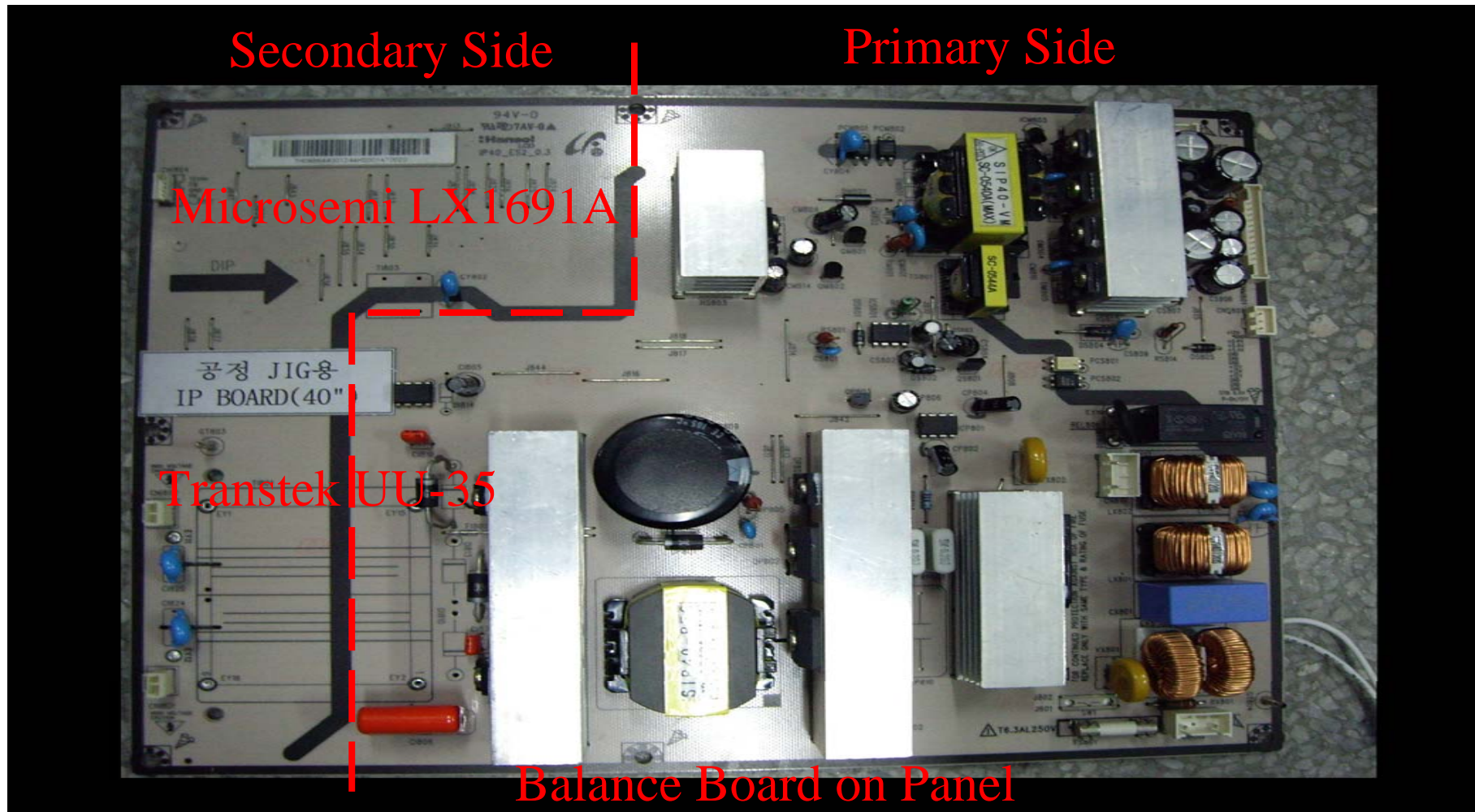
# Hi-Voltage Inverter Solution

Brand	<b>Sony</b>	<b>Samsung</b>
Inverter controller	Rohm -- BD9886	Microsemi -- LX1691A
Topology	Primary control + Photo-couple feedback	Secondary control + driver x'fmr
CCFL	20 CCFLs Dual-Hi volt.	20 CCFLs Single-Hi volt.

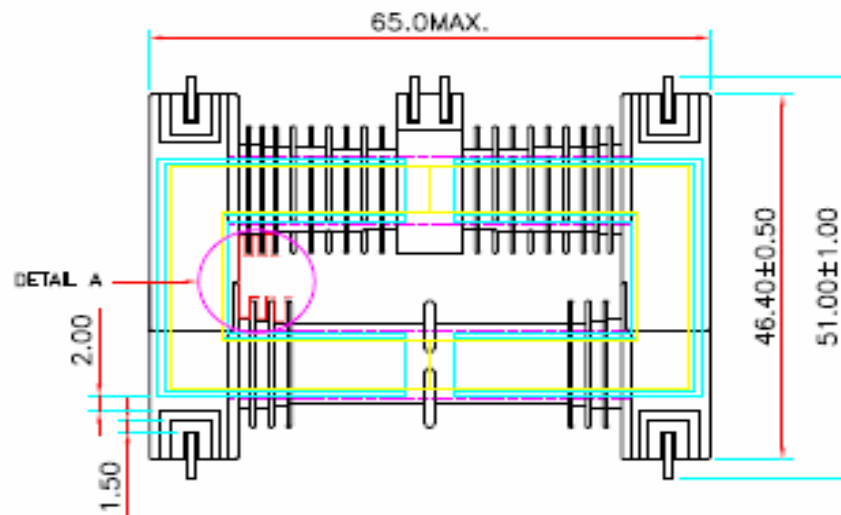
# Samsung 40'' LCD-TV



# Samsung 40'' LCD-TV LIPS



# Transformer Safety Request



## Note:

1. Unit: mm.

2. (SEC.-PRI.):  $CREEPAGE = 6a + 10b + 2c + d + 3e = 29.4$

3. (SEC.-CORE):  $CREEPAGE = 3a + 2b_1 + 2b_2 + 2b_3 + a_1 + d_1 = 21.8$

4. (PIN-CORE):  $CREEPAGE = d_2 + 1.5 + 2b_4 + a_2 + 2.0 + 8.0 = 20.2$

20mm min.

# SONY BRAVIA KDL-40S2000

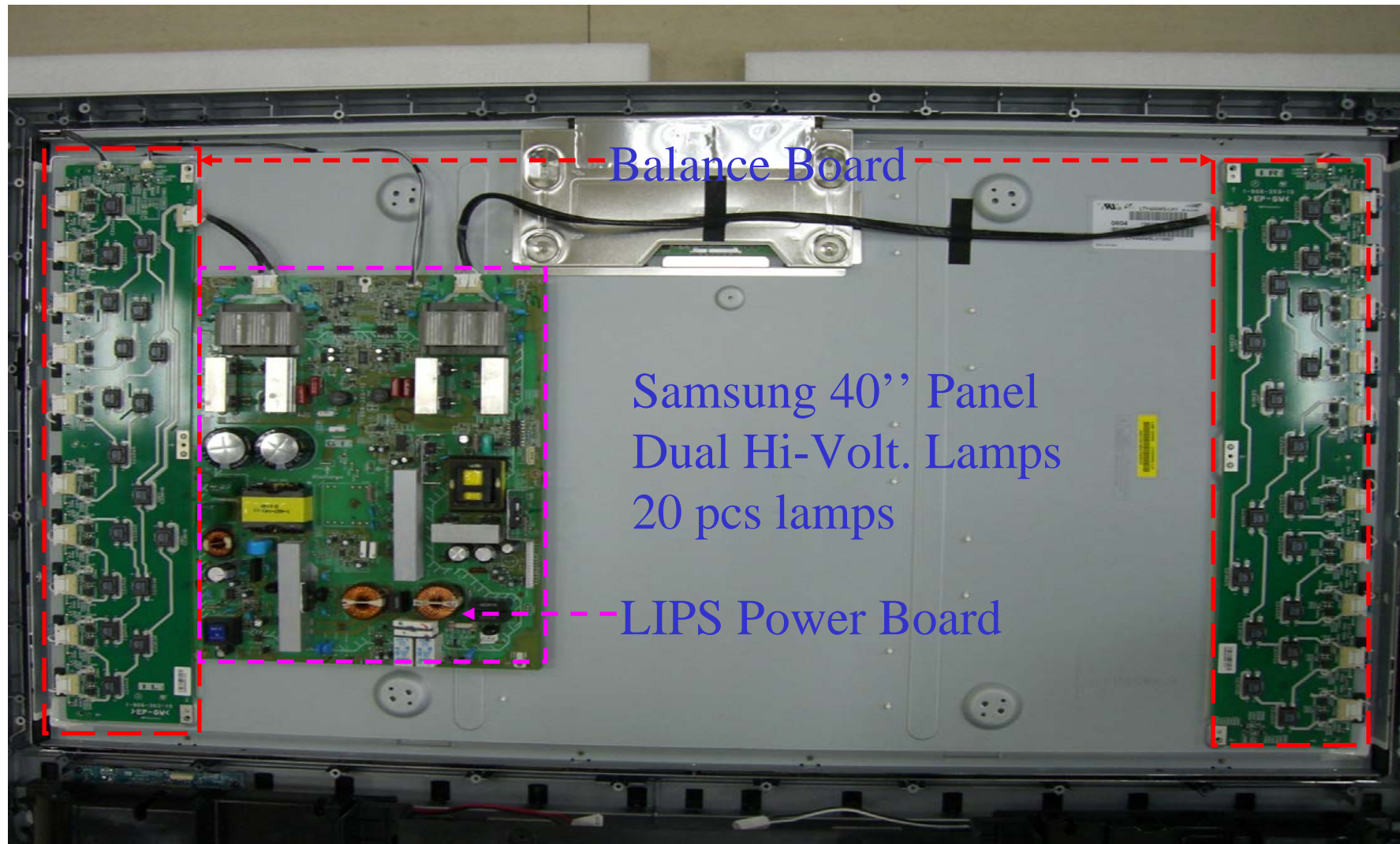
Televisions

BRAVIA

Redefining flat televisions in the digital era.

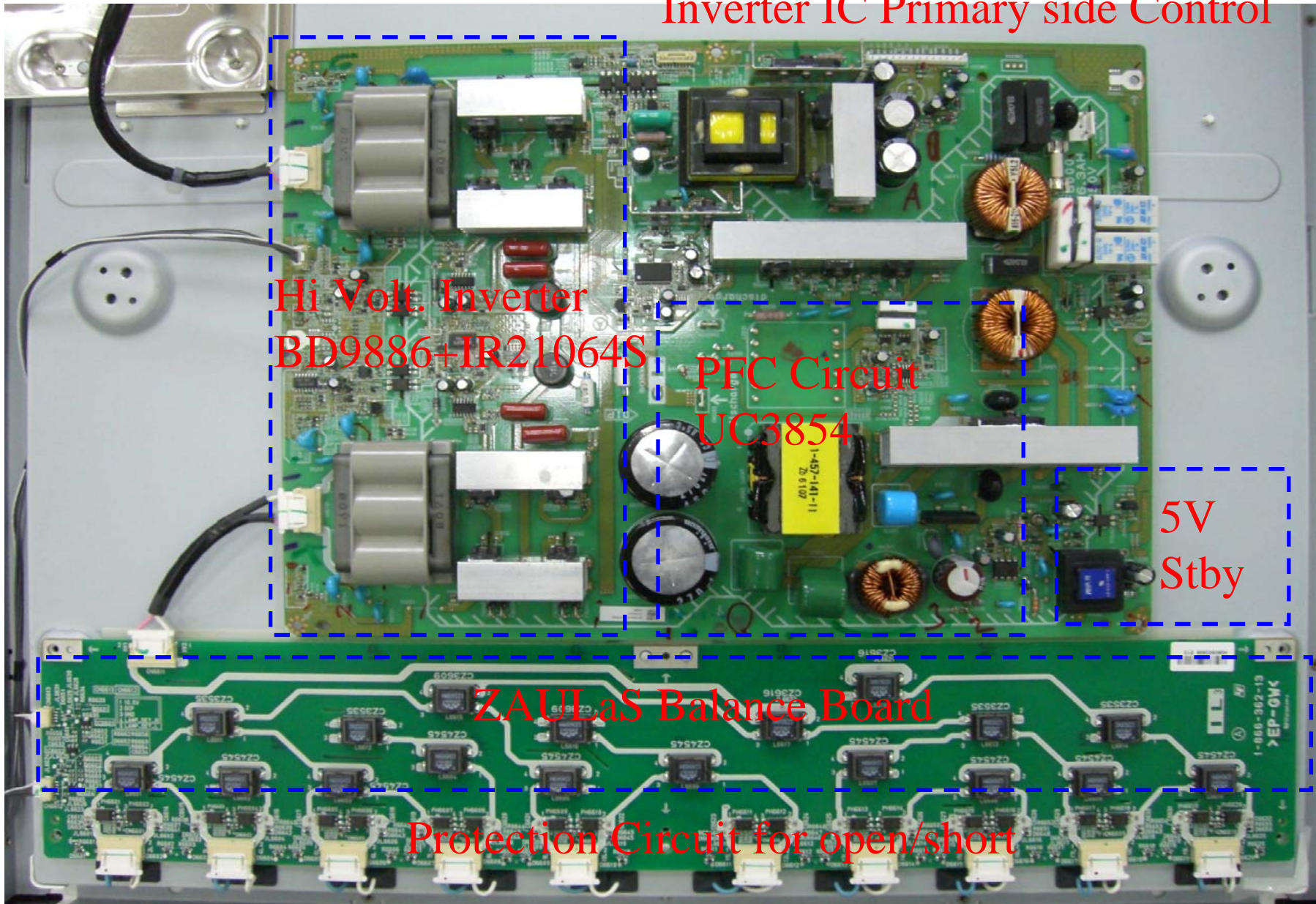


# SONY 40'' LCD-TV LIPS





## Inverter IC Primary side Control



# Current Distributor (Balance)

1. Jin Balance -- Microsemi

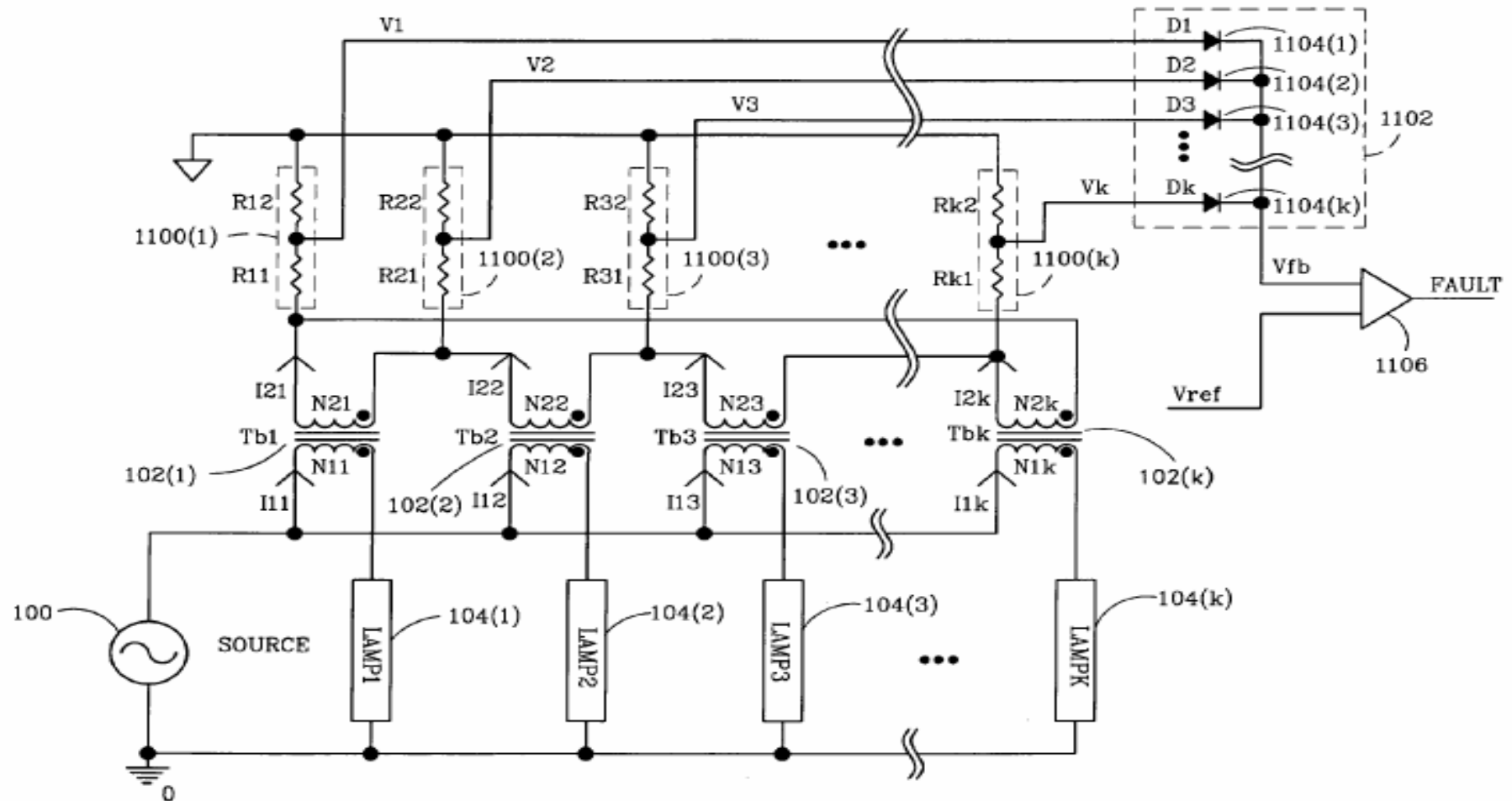
-- Samsung

2. ZAULaS Balance -- Greatech

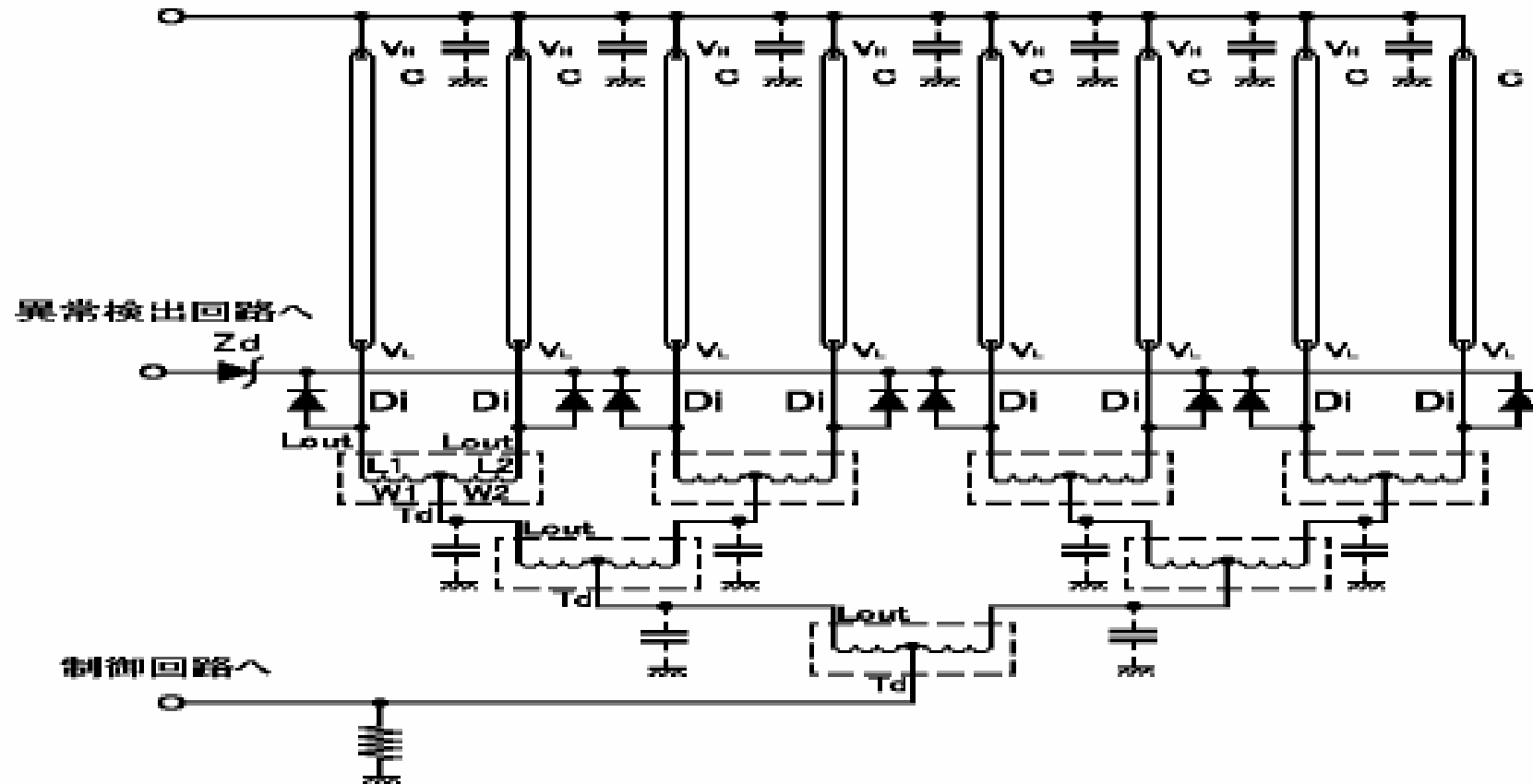
-- SONY

3. Other Balance -- TMP

# Jin Balance (Microsemi)



# ZAULaS Balance with Detector



# Zenitron Taiwan FAE

- MSN : [roytinachang@gmail.com](mailto:roytinachang@gmail.com)
- Skype : roytinachang
- E-mail : roy\_chang@zenitron.com.tw