

# DATA SHEET

**LM139/239/239A/339/339A/LM2901/MC  
3302**

Quad voltage comparator

Product specification

1995 Nov 27

IC11 Data Handbook

# Quad voltage comparator

## LM139/239/239A/339/339A /LM2901/MC3302

### DESCRIPTION

The LM139 series consists of four independent precision voltage comparators, with an offset voltage specification as low as 2.0mV max for each comparator, which were designed specifically to operate from a single power supply over a wide range of voltages. Operation from split power supplies is also possible and the low power supply current drain is independent of the magnitude of the power supply voltage. These comparators also have a unique characteristic in that the input common-mode voltage range includes ground, even though they are operated from a single power supply voltage.

The LM139 series was designed to directly interface with TTL and CMOS. When operated from both plus and minus power supplies, the LM139 series will directly interface with MOS logic where their low power drain is a distinct advantage over standard comparators.

### FEATURES

- Wide single supply voltage range 2.0V<sub>DC</sub> to 36V<sub>DC</sub> or dual supplies ±1.0V<sub>DC</sub> to ±18V<sub>DC</sub>
- Very low supply current drain (0.8mA) independent of supply voltage (1.0mW/comparator at 5.0V<sub>DC</sub>)
- Low input biasing current 25nA
- Low input offset current ±5nA and offset voltage
- Input common-mode voltage range includes ground
- Differential input voltage range equal to the power supply voltage
- Low output 250mV at 4mA saturation voltage
- Output voltage compatible with TTL, DTL, ECL, MOS and CMOS logic systems

### APPLICATIONS

- A/D converters
- Wide range VCO
- MOS clock generator
- High voltage logic gate
- Multivibrators

### PIN CONFIGURATION

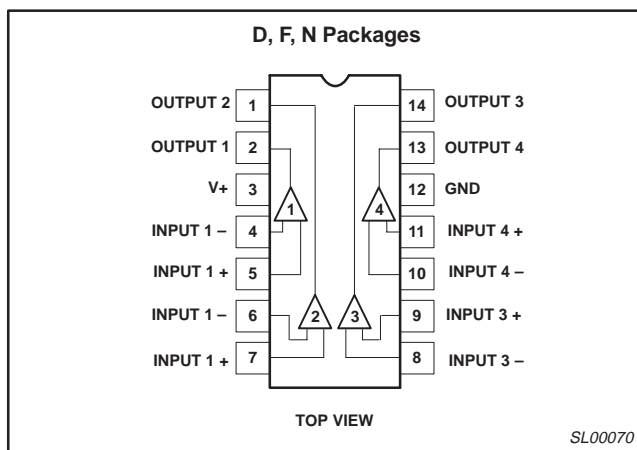


Figure 1. Pin Configuration

### EQUIVALENT CIRCUIT

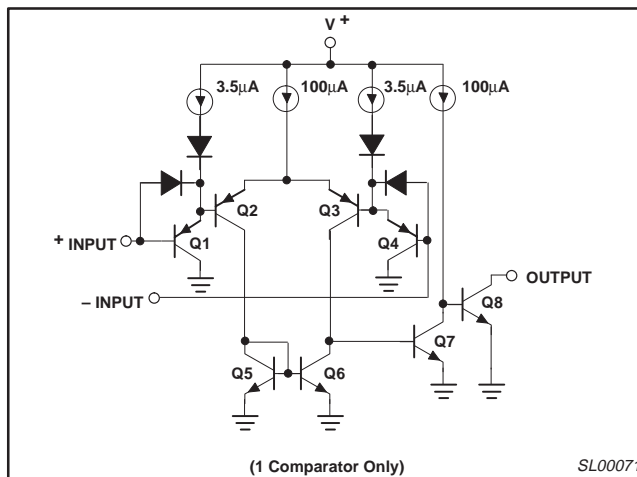


Figure 2. Equivalent Circuit

### ORDERING INFORMATION

DESCRIPTION	TEMPERATURE RANGE	ORDER CODE	DWG #
14-Pin Ceramic Dual In-Line Package (Cerdip)	-55 to +125°C	LM139F	0581B
14-Pin Plastic Dual In-Line Package (DIP)	-25°C to +85°C	LM239AN	SOT27-1
14-Pin Plastic Dual In-Line Package (DIP)	-25°C to +85°C	LM239N	SOT27-1
14-Pin Plastic Small Outline (SO) Package	-25°C to +85°C	LM239D	SOT108-1
14-Pin Plastic Dual In-Line Package (DIP)	-40°C to +125°C	LM2901N	SOT27-1
14-Pin Plastic Small Outline (SO) Package	-40°C to +125°C	LM2901D	SOT108-1
14-Pin Plastic Dual In-Line Package (DIP)	0 to +70°C	LM339AN	SOT27-1
14-Pin Plastic Small Outline (SO) Package	0 to +70°C	LM339D	SOT108-1
14-Pin Plastic Dual In-Line Package (DIP)	0 to +70°C	LM339N	SOT27-1
14-Pin Plastic Small Outline (SO) Package	-40°C to +85°C	MC3302D	SOT108-1
14-Pin Ceramic Dual In-Line Package (Cerdip)	-40°C to +85°C	MC3302F	0581B
14-Pin Plastic Dual In-Line Package (DIP)	-40°C to +85°C	MC3302N	SOT27-1
14-Pin Plastic Dual In-Line Package (DIP)	-55 to +125°C	LM139N	SOT27-1

## Quad voltage comparator

LM139/239/239A/339/339A/  
LM2901/MC3302

## ABSOLUTE MAXIMUM RATINGS

SYMBOL	PARAMETER	RATING	UNIT
V <sub>CC</sub>	V <sub>CC</sub> supply voltage	36 or ±18	V <sub>DC</sub>
V <sub>DIFF</sub>	Differential input voltage	36	V <sub>DC</sub>
V <sub>IN</sub>	Input voltage	-0.3 to +36	V <sub>DC</sub>
P <sub>D</sub>	Maximum power dissipation, T <sub>A</sub> =25°C (still-air) <sup>1</sup>		
	F package	1190	mW
	N package	1420	mW
	D package	1040	mW
	Output short-circuit to ground <sup>2</sup>	Continuous	
I <sub>IN</sub>	Input current (V <sub>IN</sub> <-0.3V <sub>DC</sub> ) <sup>3</sup>	50	mA
T <sub>A</sub>	Operating temperature range		
	LM139	-55 to +125	°C
	LM239/239A	-25 to +85	°C
	LM339/339A	0 to +70	°C
	LM2901	-40 to +125	°C
	MC3302	-40 to +85	°C
T <sub>STG</sub>	Storage temperature range	-65 to +150	°C
T <sub>SOLD</sub>	Lead soldering temperature (10sec max)	300	°C

## NOTES:

- Derate above 25°C, at the following rates:  
F Package at 9.5mW/°C  
N Package at 11.4mW/°C  
D Package at 8.3mW/°C
- Short circuits from the output to V+ can cause excessive heating and eventual destruction. The maximum output current is approximately 20mA independent of the magnitude of V+.
- This input current will only exist when the voltage at any of the input leads is driven negative. It is due to the collector-base junction of the input PNP transistors becoming forward biased and thereby acting as input diode clamps. In addition to this diode action, there is also lateral NPN parasitic transistor action on the IC chip. This transistor action can cause the output voltages of the comparators to go to the V+ voltage level (or to ground for a large overdrive) for the time duration that an input is driven negative. This is not destructive and normal output states will reestablish when the input voltage, which was negative, again returns to a value greater than -0.3V<sub>DC</sub>.

## Quad voltage comparator

LM139/239/239A/339/339A/  
LM2901/MC3302**DC AND AC ELECTRICAL CHARACTERISTICS**

$V_{+}=5V_{DC}$ , LM139:  $-55^{\circ}\text{C} \leq T_A \leq 125^{\circ}\text{C}$ ; LM239/239A:  $-25^{\circ}\text{C} \leq T_A \leq 85^{\circ}\text{C}$ ; LM339/339A:  $0^{\circ}\text{C} \leq T_A \leq 70^{\circ}\text{C}$ ; LM2901:  $-40^{\circ}\text{C} \leq T_A \leq 125^{\circ}\text{C}$ , MC3302:  $-40^{\circ}\text{C} \leq T_A \leq 85^{\circ}\text{C}$ , unless otherwise specified.

SYMBOL	PARAMETER	TEST CONDITIONS	LM239A/339A			UNIT
			Min	Typ	Max	
$V_{OS}$	Input offset voltage <sup>2</sup>	$T_A=25^{\circ}\text{C}$ Over temp.		$\pm 1.0$	$\pm 2.0$ $\pm 4.0$	mV mV
$V_{CM}$	Input common-mode voltage range <sup>3</sup>	$T_A=25^{\circ}\text{C}$ Over temp.	0 0		$V_{+}-1.5$ $V_{+}-2.0$	V
$V_{IDR}$	Differential input voltage <sup>1</sup>	Keep all $V_{IN(S)} \geq 0V_{DC}$ (or $V_{-}$ if need)			$V_{+}$	V
$I_{BIAS}$	Input bias current <sup>4</sup>	$I_{IN(+)}$ or $I_{IN(-)}$ with output in linear range $T_A=25^{\circ}\text{C}$ Over temp.		25	250 400	nA nA
$I_{OS}$	Input offset current	$I_{IN(+)} - I_{IN(-)}$ $T_A=25^{\circ}\text{C}$ Over temp.		$\pm 5.0$	$\pm 50$ $\pm 150$	nA nA
$I_{OL}$	Output sink current	$V_{IN(-)} \geq 1V_{DC}$ , $V_{IN(+)}=0$ , $V_O \leq 1.5V_{DC}$ , $T_A=25^{\circ}\text{C}$	6.0	16		mA
	Output leakage current	$V_{IN(+)} \geq 1V_{DC}$ , $V_{IN(-)}=0$ $V_O=5V_{DC}$ , $T_A=25^{\circ}\text{C}$ $V_O=30V_{DC}$ , over temp.		0.1	1.0	nA $\mu\text{A}$
$I_{CC}$	Supply current	$R_L=\infty$ on comparators, $T_A=25^{\circ}\text{C}$ $V_{+}=30V$		0.8	2.0	mA
$A_V$	Voltage gain	$R_L \geq 15k\Omega$ , $V_{+}=15V_{DC}$	50	200		V/mV
$V_{OL}$	Saturation voltage	$V_{IN(-)} \geq 1V_{DC}$ , $V_{IN(+)}=0$ , $I_{SINK} \leq 4\text{mA}$ $T_A=25^{\circ}\text{C}$ Over temp.		250	400 700	mV mV
$t_{LSR}$	Large-signal response time	$V_{IN}=\text{TTL logic swing}$ , $V_{REF}=1.4V_{DC}$ , $V_{RL}=5V_{DC}$ , $R_L=5.1k\Omega$ , $T_A=25^{\circ}\text{C}$		300		ns
$t_R$	Response time <sup>5</sup>	$V_{RL}=5V_{DC}$ , $R_L=5.1k\Omega$ , $T_A=25^{\circ}\text{C}$		1.3		$\mu\text{s}$

See notes at the end of the Electrical Characteristics.

## Quad voltage comparator

LM139/239/239A/339/339A/  
LM2901/MC3302

## DC AND AC ELECTRICAL CHARACTERISTICS

$V_{+}=5V_{DC}$ , LM139:  $-55^{\circ}\text{C} \leq T_A \leq 125^{\circ}\text{C}$ ; LM239/239A:  $-25^{\circ}\text{C} \leq T_A \leq 85^{\circ}\text{C}$ ; LM339/339A:  $0^{\circ}\text{C} \leq T_A \leq 70^{\circ}\text{C}$ ; LM2901:  $-40^{\circ}\text{C} \leq T_A \leq 125^{\circ}\text{C}$ , MC3302:  $-40^{\circ}\text{C} \leq T_A \leq 85^{\circ}\text{C}$ , unless otherwise specified.

SYMBOL	PARAMETER	TEST CONDITIONS	LM139			LM239/339			UNIT
			Min	Typ	Max	Min	Typ	Max	
$V_{OS}$	Input offset voltage <sup>2</sup>	$T_A=25^{\circ}\text{C}$ Over temp.		$\pm 2.0$	$\pm 5.0$ $\pm 9.0$		$\pm 2.0$	$\pm 5.0$ $\pm 9.0$	mV mV
$V_{CM}$	Input common-mode voltage range <sup>3</sup>	$T_A=25^{\circ}\text{C}$ Over temp.	0 0		$V_{+}-1.5$ $V_{+}-2.0$	0 0		$V_{+}-1.5$ $V_{+}-2.0$	V
$V_{IDR}$	Differential input voltage <sup>1</sup>	Keep all $V_{IN}^S \geq 0V_{DC}$ (or $V_{-}$ if need)			$V_{+}$			$V_{+}$	V
$I_{BIAS}$	Input bias current <sup>4</sup>	$I_{IN(+)}$ or $I_{IN(-)}$ with output in linear range $T_A=25^{\circ}\text{C}$ Over temp.		25	100 300		25	250 400	nA nA
$I_{OS}$	Input offset current	$I_{IN(+)} - I_{IN(-)}$ $T_A=25^{\circ}\text{C}$ Over temp.		$\pm 3.0$	$\pm 25$ $\pm 100$		$\pm 5.0$	$\pm 50$ $\pm 150$	nA nA
$I_{OL}$	Output sink current	$V_{IN(-)} \geq 1V_{DC}$ , $V_{IN(+)}=0$ , $V_{O} \leq 1.5V_{DC}$ , $T_A=25^{\circ}\text{C}$	6.0	16		6.0	16		mA
	Output leakage current	$V_{IN(+)} \geq 1V_{DC}$ , $V_{IN(-)}=0$ $V_{O}=5V_{DC}$ , $T_A=25^{\circ}\text{C}$ $V_{O}=30V_{DC}$ , over temp.		0.1	1.0		0.1	1.0	nA $\mu\text{A}$
$I_{CC}$	Supply current	$R_L=\infty$ on comparators, $T_A=25^{\circ}\text{C}$ $V_{+}=30V$		0.8	2.0		0.8	2.0	mA
$A_V$	Voltage gain	$R_L \geq 15k\Omega$ , $V_{+}=15V_{DC}$	50	200		50	200		V/mV
$V_{OL}$	Saturation voltage	$V_{IN(-)} \geq 1V_{DC}$ , $V_{IN(+)}=0$ , $I_{SINK} \leq 4\text{mA}$ $T_A=25^{\circ}\text{C}$ Over temp.		250	400 700		250	400 700	mV mV
$t_{LSR}$	Large-signal response time	$V_{IN}=\text{TTL logic swing}$ , $V_{REF}=1.4V_{DC}$ , $V_{RL}=5V_{DC}$ , $R_L=5.1k\Omega$ , $T_A=25^{\circ}\text{C}$		300			300		ns
$t_R$	Response time <sup>5</sup>	$V_{RL}=5V_{DC}$ , $R_L=5.1k\Omega$ , $T_A=25^{\circ}\text{C}$		1.3			1.3		$\mu\text{s}$

See notes on following page.

## Quad voltage comparator

LM139/239/239A/339/339A/  
LM2901/MC3302

## DC AND AC ELECTRICAL CHARACTERISTICS

$V_+ = 5V_{DC}$ , LM139:  $-55^\circ\text{C} \leq T_A \leq 125^\circ\text{C}$ ; LM239/239A:  $-25^\circ\text{C} \leq T_A \leq 85^\circ\text{C}$ ; LM339/339A:  $0^\circ\text{C} \leq T_A \leq 70^\circ\text{C}$ ; LM2901:  $-40^\circ\text{C} \leq T_A \leq 125^\circ\text{C}$ , MC3302:  $-40^\circ\text{C} \leq T_A \leq 85^\circ\text{C}$ , unless otherwise specified.

SYMBOL	PARAMETER	TEST CONDITIONS	LM2901			MC3302			UNIT
			Min	Typ	Max	Min	Typ	Max	
$V_{OS}$	Input offset voltage <sup>2</sup>	$T_A = 25^\circ\text{C}$ Over temp.		$\pm 2.0$ $\pm 9$	$\pm 7.0$ $\pm 15$		$\pm 3.0$ $\pm 20$ $\pm 40$	mV mV	
$V_{CM}$	Input common-mode voltage range <sup>3</sup>	$T_A = 25^\circ\text{C}$ Over temp.	0 0		$V_+ - 1.5$ $V_+ - 2.0$	0 0	$V_+ - 1.5$ $V_+ - 2.0$	V	
$V_{IDR}$	Differential input voltage <sup>1</sup>	Keep all $V_{IN} \geq 0V_{DC}$ (or $V_-$ if need)			$V_+$		$V_+$	V	
$I_{BIAS}$	Input bias current <sup>4</sup>	$I_{IN(+)}$ or $I_{IN(-)}$ with output in linear range $T_A = 25^\circ\text{C}$ Over temp.		25 200	250 500		25 500 1000	nA nA	
$I_{OS}$	Input offset current	$I_{IN(+)} - I_{IN(-)}$ $T_A = 25^\circ\text{C}$ Over temp.		$\pm 5$ $\pm 50$	$\pm 50$ $\pm 200$		$\pm 5$ $\pm 100$ $\pm 300$	nA nA	
$I_{OL}$	Output sink current	$V_{IN(-)} \geq 1V_{DC}$ , $V_{IN(+)} = 0$ , $V_O \leq 1.5V_{DC}$ , $T_A = 25^\circ\text{C}$	6.0	16		6	16	mA	
	Output leakage current	$V_{IN(+)} \geq 1V_{DC}$ , $V_{IN(-)} = 0$ $V_O = 5V_{DC}$ , $T_A = 25^\circ\text{C}$ $V_O = 30V_{DC}$ , over temp.		0.1	1.0		0.1 1.0	nA $\mu\text{A}$	
$I_{CC}$	Supply current	$R_L = \infty$ on all comparators, $T_A = 25^\circ\text{C}$		0.8	2.0		.8	1.8	mA
		$R_L = \infty$ on all comparators, $V_+ = 30V$		1.0	2.5				mA
$A_V$	Voltage gain	$R_L \geq 15k\Omega$ , $V_+ = 15V_{DC}$	25	100		2	100	V/mV	
$V_{OL}$	Saturation voltage	$V_{IN(-)} \geq 1V_{DC}$ , $V_{IN(+)} = 0$ , $I_{SINK} \leq 4\text{mA}$ $T_A = 25^\circ\text{C}$ Over temp.		400	400 700		150 400 700	mV mV	
$t_{LSR}$	Large-signal response time	$V_{IN} = \text{TTL logic swing}$ , $V_{REF} = 1.4V_{DC}$ , $V_{RL} = 5V_{DC}$ , $R_L = 5.1k\Omega$ , $T_A = 25^\circ\text{C}$		300			300	ns	
$t_R$	Response time <sup>5</sup>	$V_{RL} = 5V_{DC}$ , $R_L = 5.1k\Omega$ , $T_A = 25^\circ\text{C}$		1.3			1.3	$\mu\text{s}$	

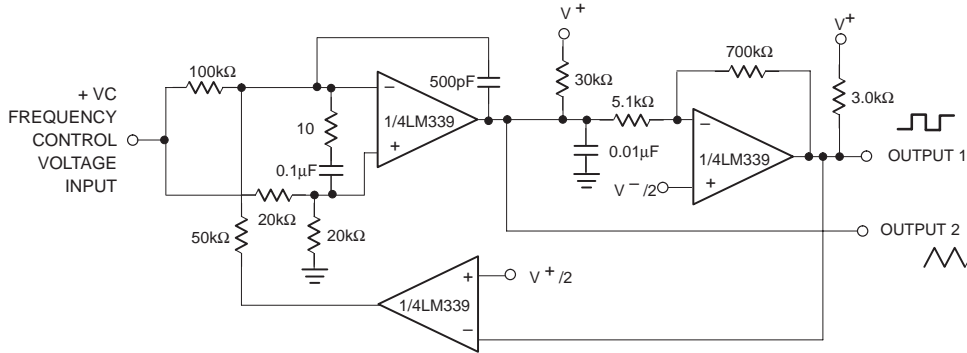
## NOTES:

- Positive excursions of input voltage may exceed the power supply level by 17V. As long as the other voltage remains within the common-mode range, the comparator will provide a proper output state. The low input voltage state must not be less than  $-0.3V_{DC}$  (or  $0.3V_{DC}$  below the magnitude of the negative power supply, if used).
- At output switch point,  $V_O \approx 1.4V_{DC}$ ,  $R_S = 0\Omega$  with  $V_+$  from  $5V_{DC}$  to  $30V_{DC}$ ; and over the full input common-mode range ( $0V_{DC}$  to  $V_+ - 1.5V_{DC}$ ). Inputs of unused comparators should be grounded.
- The input common-mode voltage or either input signal voltage should not be allowed to go negative by more than 0.3V. The upper end of the common-mode voltage range is  $V_+ - 1.5V$ , but either or both inputs can go to  $30V_{DC}$  without damage.
- The direction of the input current is out of the IC due to the PNP input stage. This current is essentially constant, independent of the state of the output so no loading change exists on the reference or input lines.
- The response time specified is for a 100mV input step with a 5mV overdrive. For larger overdrive signals, 300ns can be obtained (see typical performance characteristics section).

# Quad voltage comparator

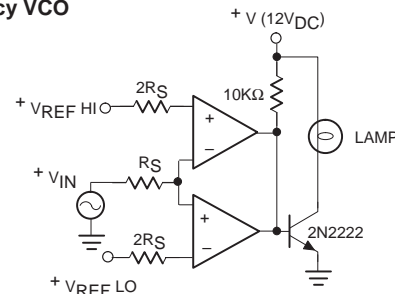
# LM139/239/239A/339/339A/ LM2901/MC3302

## EQUIVALENT CIRCUIT

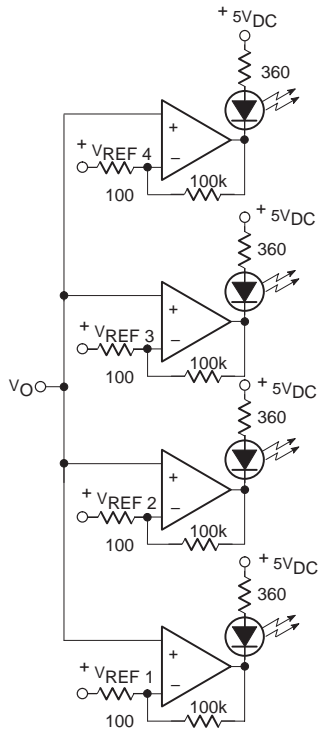


**NOTES:**  
 $V+ = 30V_{DC}$   
 $+250mV_{DC} \leq V_C = 50V_{DC}$   
 $700H \leq f_O = 100kHz$

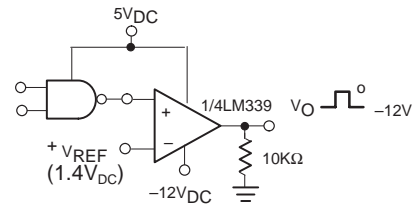
**Two-Decade High-Frequency VCO**



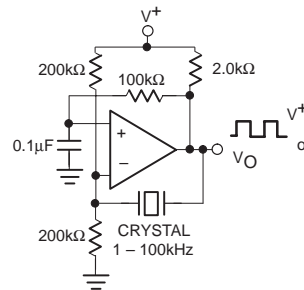
**Limit Comparator**



**Visible Voltage Indicator**



**TTL-to-MOS Logic Converter**



**Crystal-Controlled Oscillator**

**NOTE:**  
 Input of unused comparators should be grounded.

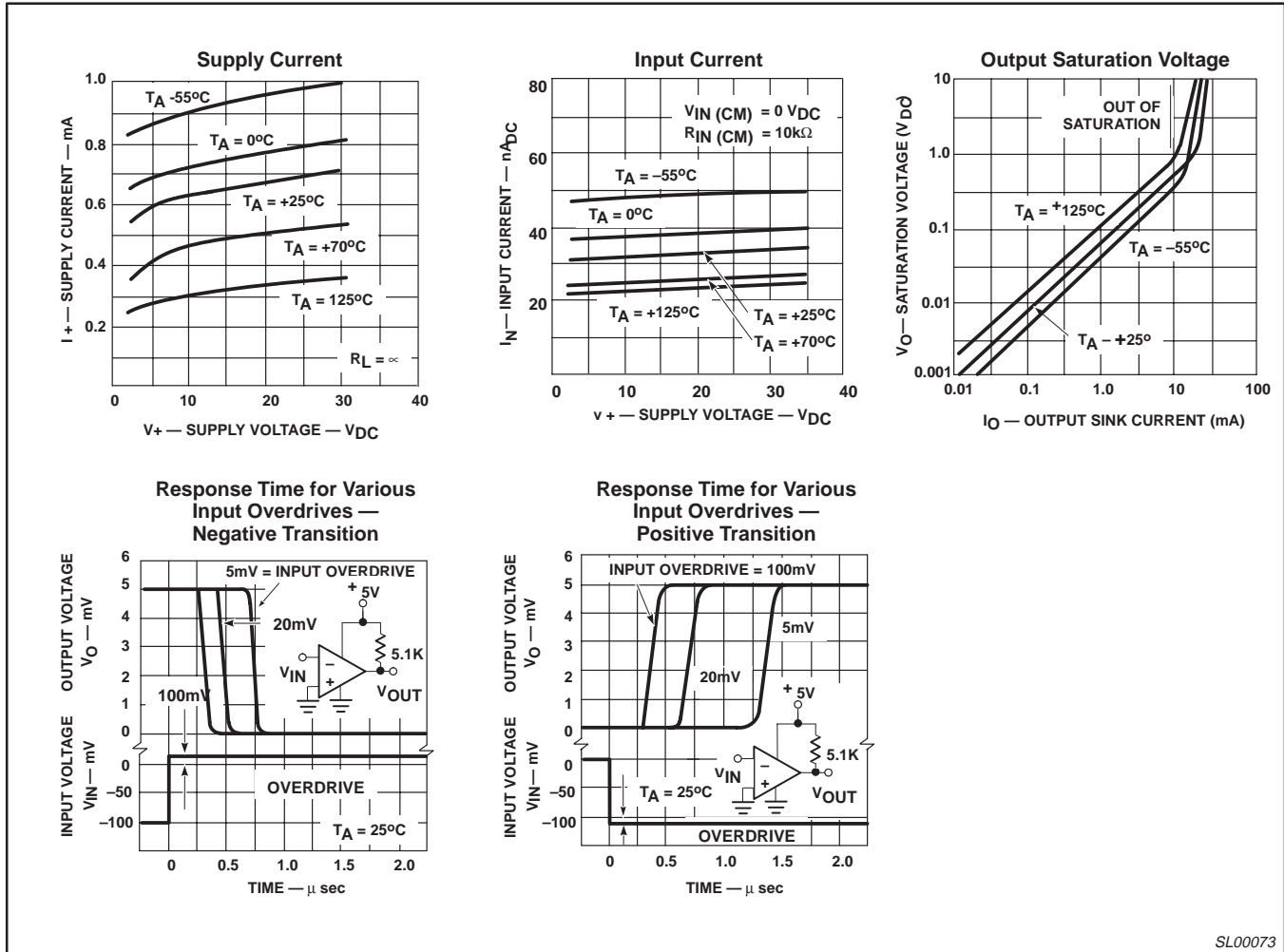
SL00072

**Figure 3. Equivalent Circuit**

Quad voltage comparator

LM139/239/239A/339/339A/  
LM2901/MC3302

TYPICAL PERFORMANCE CHARACTERISTICS



SL00073

Figure 4. Typical Performance Characteristics



## Quad voltage comparator

LM139/239/239A/339/339A/  
LM2901/MC3302

## DEFINITIONS

Data Sheet Identification	Product Status	Definition
<i>Objective Specification</i>	<b>Formative or in Design</b>	This data sheet contains the design target or goal specifications for product development. Specifications may change in any manner without notice.
<i>Preliminary Specification</i>	<b>Preproduction Product</b>	This data sheet contains preliminary data, and supplementary data will be published at a later date. Philips Semiconductors reserves the right to make changes at any time without notice in order to improve design and supply the best possible product.
<i>Product Specification</i>	<b>Full Production</b>	This data sheet contains Final Specifications. Philips Semiconductors reserves the right to make changes at any time without notice, in order to improve design and supply the best possible product.

Philips Semiconductors and Philips Electronics North America Corporation reserve the right to make changes, without notice, in the products, including circuits, standard cells, and/or software, described or contained herein in order to improve design and/or performance. Philips Semiconductors assumes no responsibility or liability for the use of any of these products, conveys no license or title under any patent, copyright, or mask work right to these products, and makes no representations or warranties that these products are free from patent, copyright, or mask work right infringement, unless otherwise specified. Applications that are described herein for any of these products are for illustrative purposes only. Philips Semiconductors makes no representation or warranty that such applications will be suitable for the specified use without further testing or modification.

## LIFE SUPPORT APPLICATIONS

Philips Semiconductors and Philips Electronics North America Corporation Products are not designed for use in life support appliances, devices, or systems where malfunction of a Philips Semiconductors and Philips Electronics North America Corporation Product can reasonably be expected to result in a personal injury. Philips Semiconductors and Philips Electronics North America Corporation customers using or selling Philips Semiconductors and Philips Electronics North America Corporation Products for use in such applications do so at their own risk and agree to fully indemnify Philips Semiconductors and Philips Electronics North America Corporation for any damages resulting from such improper use or sale.

**Philips Semiconductors**  
**811 East Arques Avenue**  
**P.O. Box 3409**  
**Sunnyvale, California 94088-3409**  
**Telephone 800-234-7381**

Philips Semiconductors and Philips Electronics North America Corporation register eligible circuits under the Semiconductor Chip Protection Act.  
 © Copyright Philips Electronics North America Corporation 1995  
 All rights reserved. Printed in U.S.A.

