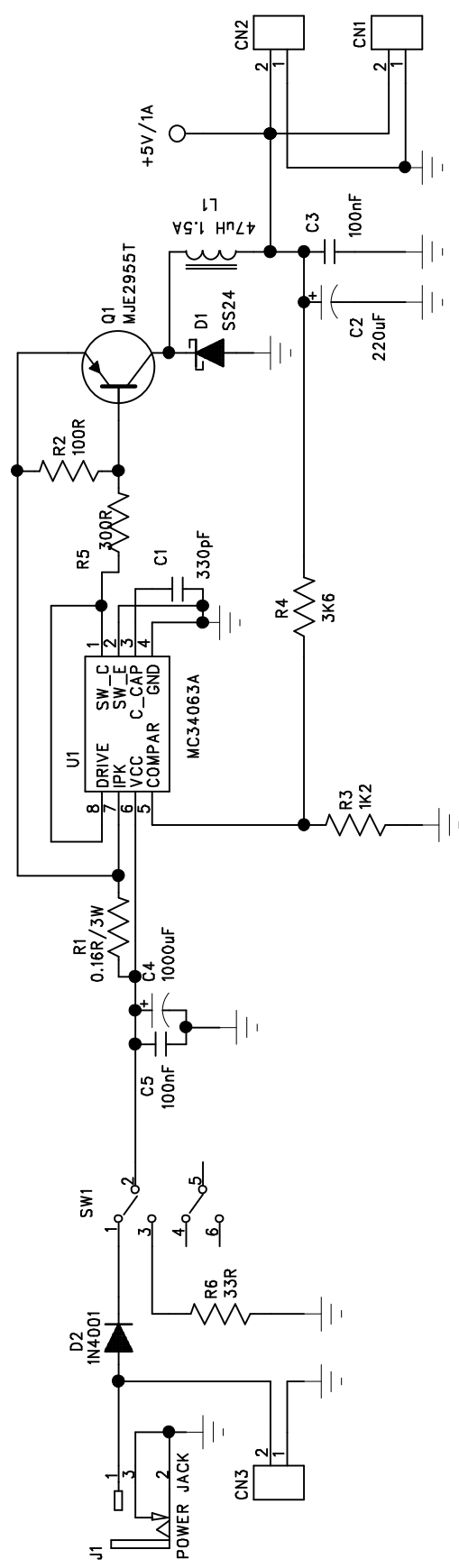


6 5 4 3 2 1

D C B A

D C B A



TITLE: DC TO DC(1A/5V)

COMPANY: RINGWAY

SHEET: 1 OF 1

REV: