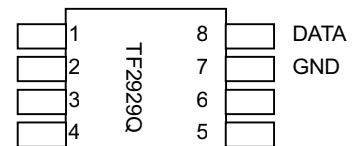
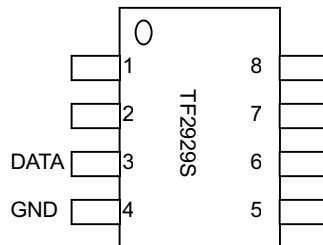
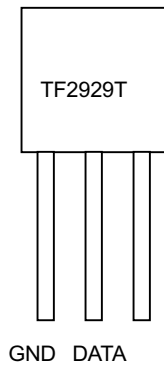
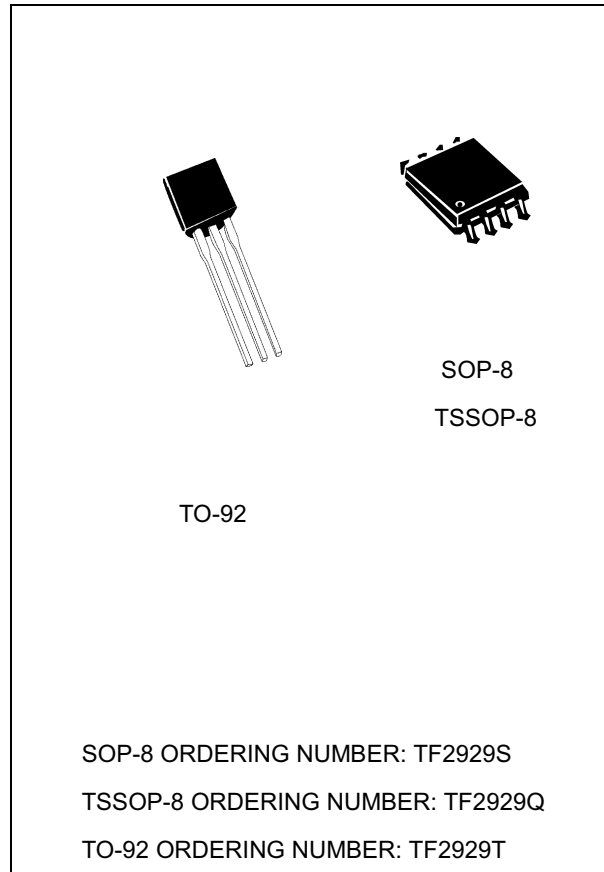




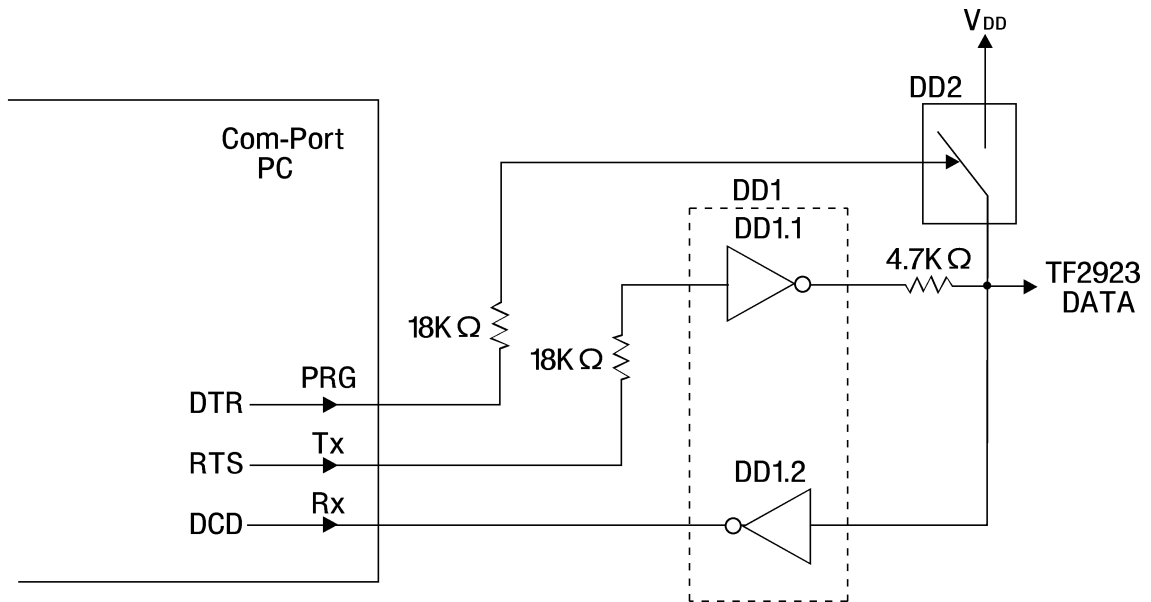
1024 BIT ADD-ONLY EEPROM

Features

- 1024 bits EEPROM communicates with the economy of one signal plus ground
- Unique, one-time write protection 64-bit registration number (8-bit family code+48-bit serial number+8 bit CRC tester) assures absolute tractability because no two parts are alike
- EEPROM partitioned into four 256-bit pages for randomly accessing packetized data records
- Each memory page can be permanently write-protected to prevent tampering
- Reduces control, address, data, power, and programming signals to a single data pin
- Directly connects to a single port pin of a microprocessor and communicates at up to 16.3k bits per second
- Write voltage range of 4.0V to 4.5V from:
-10°C to +60°C
- Read voltage range of 2.5V to 5.3V from:
-10°C to +60°C



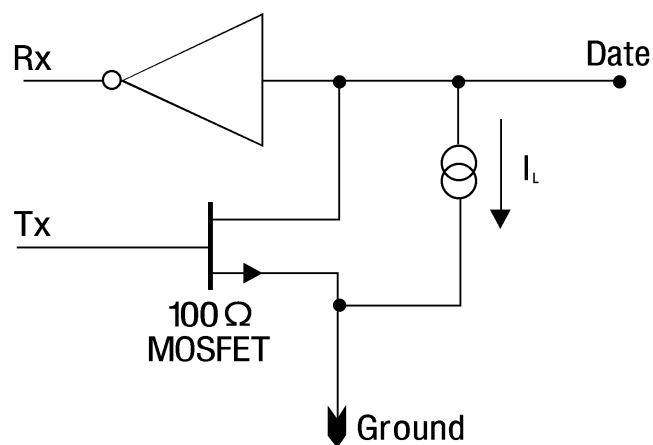
Electrical Circuit of Writer for TF2929



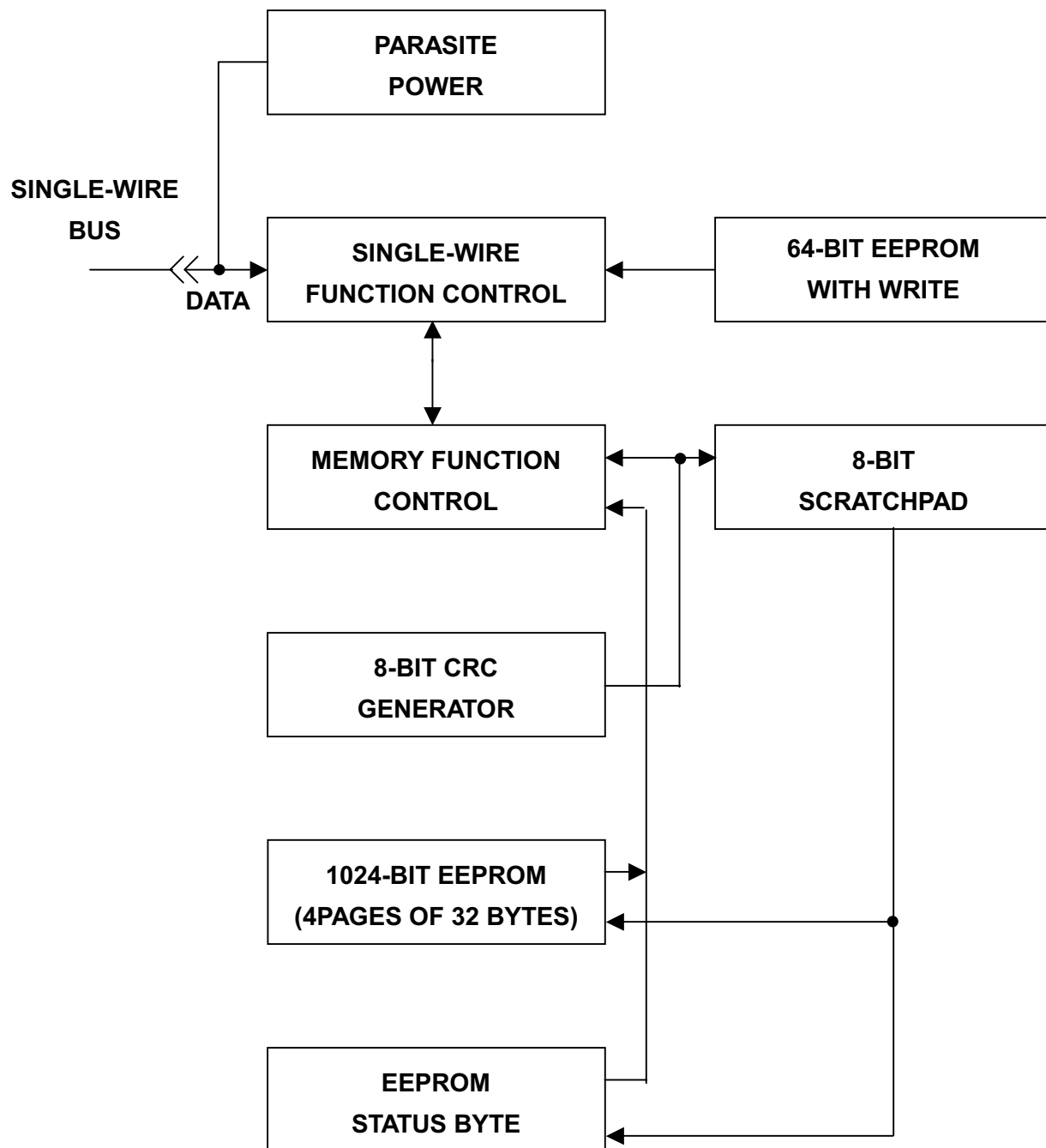
DD1 – CD4049

DD2 – CD4066

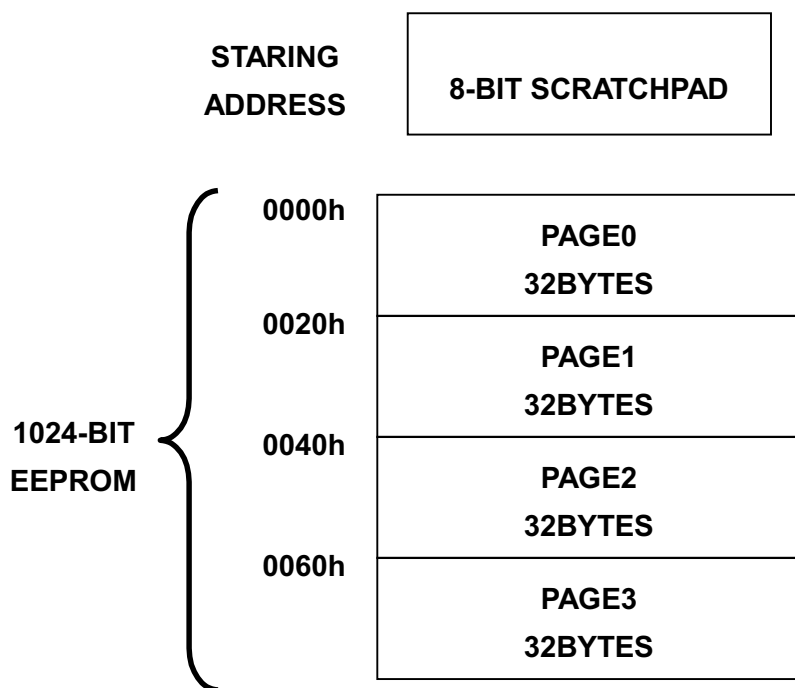
TF2929 Equivalent Circuit



Block Diagram



Memory structure



EEPROM STATUS BYTE

