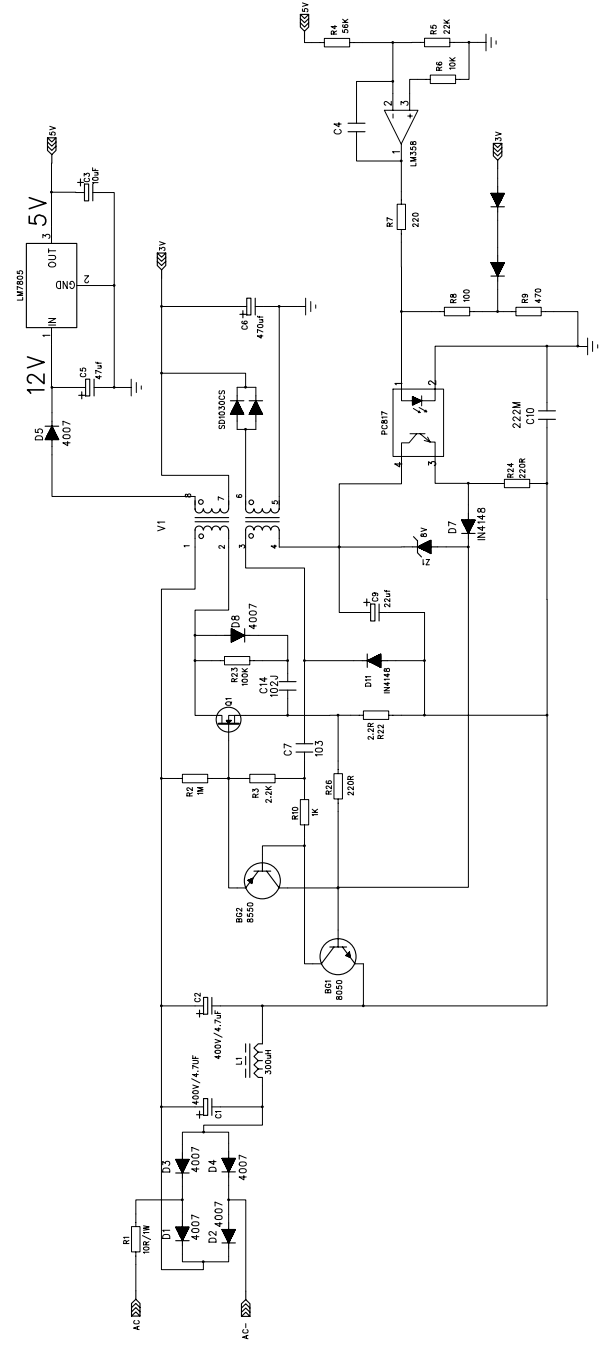


1 2 3 4 5 6

LTR	
REVISION RECORD	
ECC NO:	
APPROVED:	
DATE:	

D C B A



COMPANY:			
TITLE:			
DRAWN:	DATE:		
CHECKED:	DATE:		
QUALITY CONTROL:	DATE:		
RELEASED:	DATE:		
SCALE:	SHEET: 1 OF 1		
CODE	SIZE	DRAWING NO.	REV:
			1.0