



SP6850

Green-Mode PWM Controller

DESCRIPTION

The SP6850 is the current mode PWM controller with green-mode power-saving operation, to meet the low standby-power needs of low-power SMPS. This green-mode function enables the power supply to easily meet even the strictest power conservation requirements. The functions such as the leading-edge blanking of the current sensing, internal slope compensation and the small package provide the high efficiency / low cost for SMPS power applications. SP6850 is processed by BiCMOS fabrication, that enables reducing the start-up current and the operating current. SP6850 is available by SOT-23-6L / DIP-8P packages.

APPLICATIONS

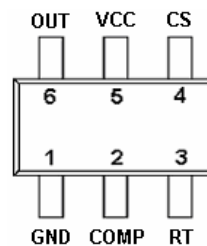
- AC/DC Switching Power Adaptor
- Battery Charger
- PC 5V Standby Power.
- Open-Frame Switching Power Supply

FEATURES

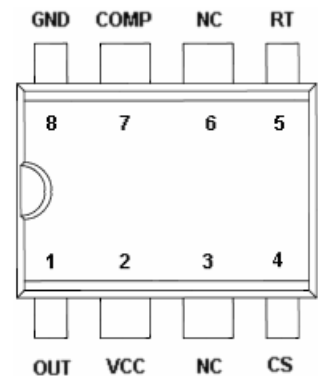
- High-Voltage BiCMOS Process
- Very Low Startup Current (Typ \equiv 8 μ A)
- Under Voltage Lockout (UVLO)
- Current Mode Control with Cycle Peak
- Current Limiting
- Leading-Edge Blanking
- Programmable Switching Frequency
- Internal Slope Compensation
- Green-Mode Control for Power Saving
- Non-audible-noise Green Mode Control
- 300mA Driving Capability
- OVP (Over Voltage Protection) on Vcc Pin

PIN CONFIGURATION

SOT-23-6L

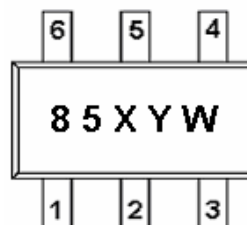


DIP-8P



PART MARKING

SOT-23-6L



Y : Year Code
W : Week Code
X : Parts Code

DIP-8P

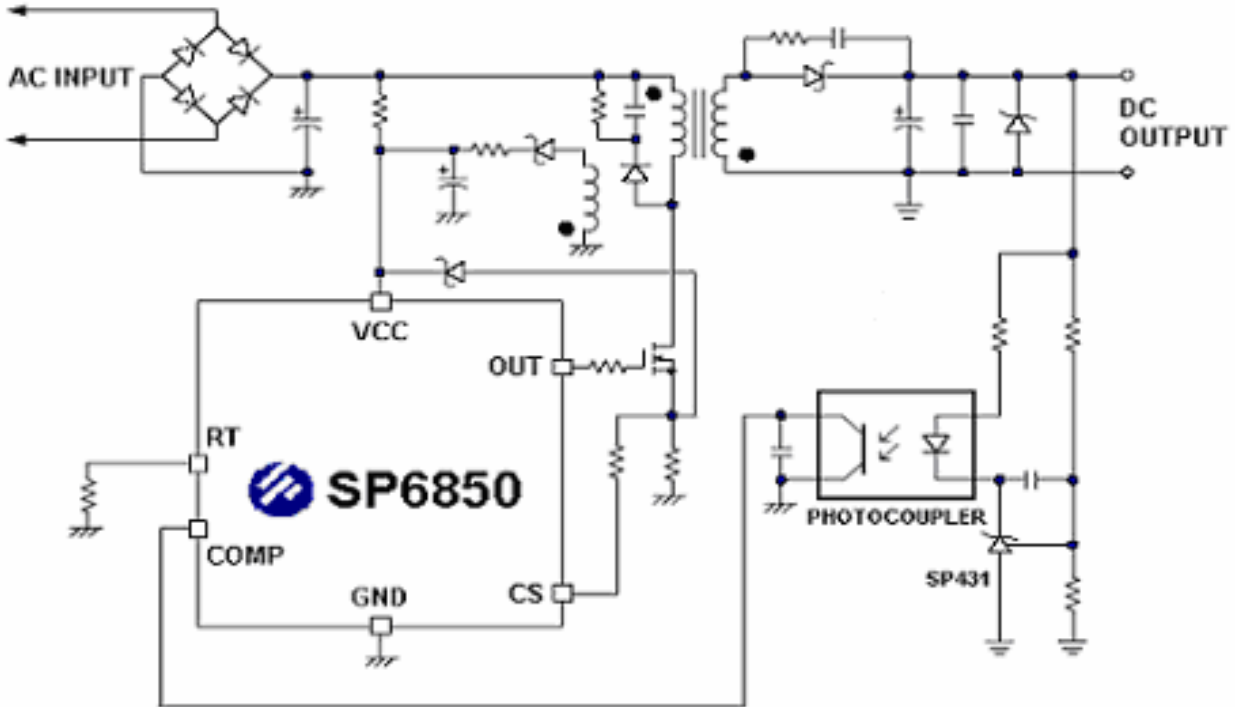


A : Lot Code
B : Date Code

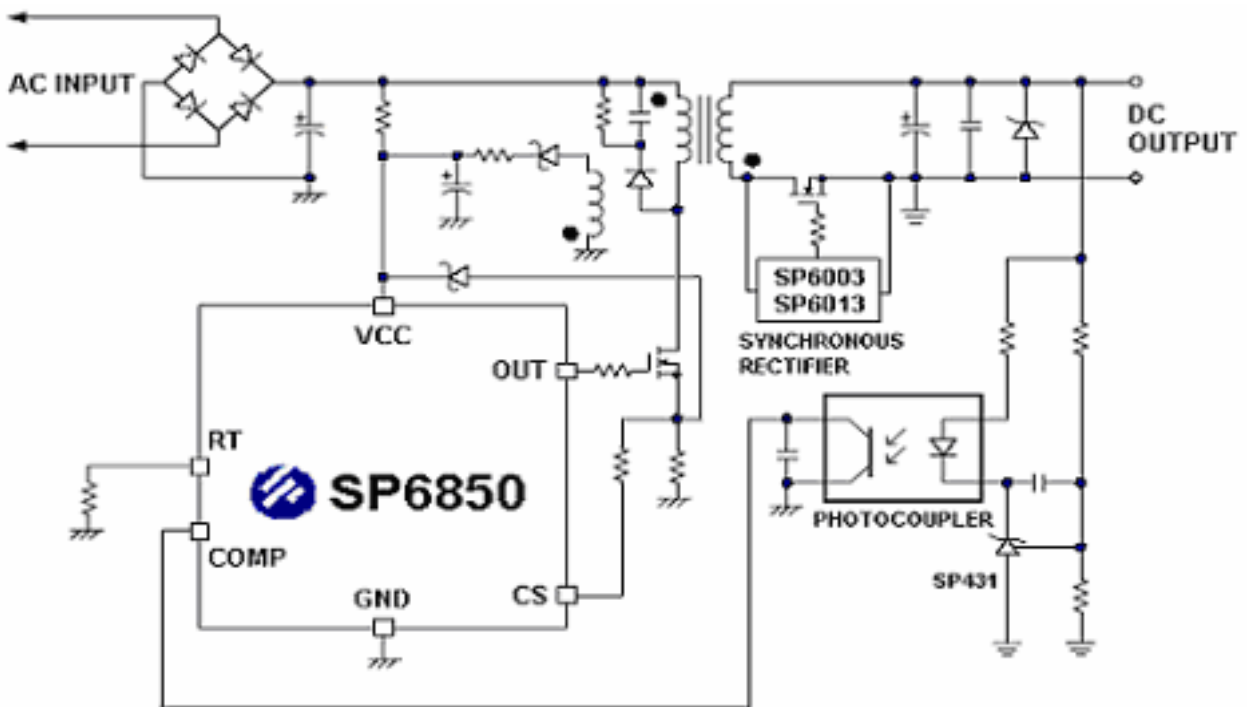


SP6850 Green-Mode PWM Controller

TYPICAL APPLICATION CIRCUIT



TYPICAL APPLICATION CIRCUIT (High Efficiency SMPS + Synchronous Rectifier)





SP6850

Green-Mode PWM Controller

PIN DESCRIPTION

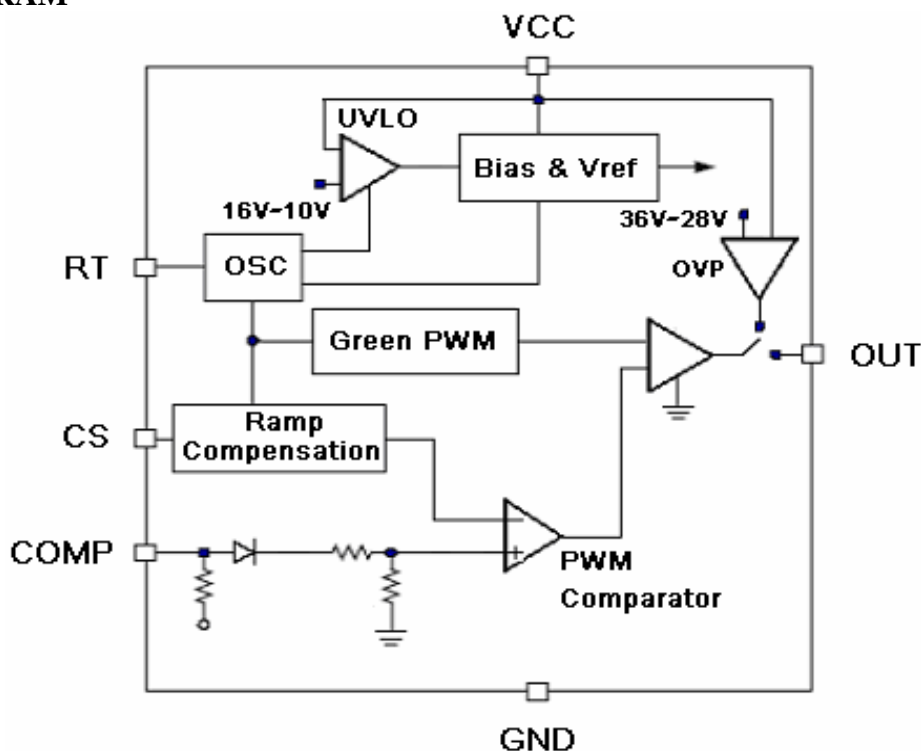
SP6850D8TG

Pin	Symbol	Description
1	OUT	Gate driver output to drive the external MOSFET
2	VCC	Supply Voltage in
3	NC	Unconnected pin
4	CS	Current sense. This pin senses the voltage across a resistor, to control PWM output. This pin also provides current amplitude information for current-mode control.
5	RT	This current is used to charge an internal capacitor, to determine the switching frequency.
6	NC	Unconnected pin
7	COMP	Voltage feedback. The pin provides the output voltage regulation signal., it provides feedback to the internal PWM comparator, so that the PWM comparator can control the duty cycle.
8	GND	Ground

SP6850S26RG

Pin	Symbol	Description
1	GND	Ground
2	COMP	Voltage feedback. The pin provides the output voltage regulation signal., it provides feedback to the internal PWM comparator, so that the PWM comparator can control the duty cycle
3	RT	This current is used to charge an internal capacitor, to determine the switching frequency.
4	CS	Current sense. This pin senses the voltage across a resistor, to control PWM output. This pin also provides current amplitude information for current-mode control
5	VCC	Supply Voltage in
6	OUT	Gate driver output to drive the external MOSFET

BLOCK DIAGRAM





SP6850

Green-Mode PWM Controller

ORDERING INFORMATION

Part Number	Package	Part Marking
SP6850AD8TG	DIP-8P	SP6850I
SP6850BD8TG	DIP-8P	SP6850I
SP6850AS26RG	SOT-23-6L	85AYW
SP6850BS26RG	SOT-23-6L	85BYW

※ SP6850AD8TG / SP6850BD8TG : Tube ; Pb – Free

※ SP6850AS26RG / SP6850BS26RG : Tape Reel ; Pb – Free

ABSOLUTE MAXIMUM RATINGS (T_A=25°C, unless otherwise specified.)

The following ratings designate persistent limits beyond which damage to the device may occur.

Symbol	Parameter	Value	Unit
V _{CC}	DC Supply Voltage	36	V
V _{COMP/RT/CS}	SYNC Voltage	-0.3 ~ 7.0	V
P _D	Power Dissipation @ T _A =85°C (*)	0.3	W
ESD	Human Body Model	4	KV
	Machine Model	300	V
T _J	Operating Junction Temperature Range	150	°C
T _{STG}	Storage Temperature Range	150	°C
T _{LEAD}	Pb-Free Lead Soldering Temperature for 5 sec.	260	°C
R _{θJC}	Thermal Resistance Junction – Case (*)	SOT-23-6L	210
		DIP-8P	95

(*) The power dissipation and thermal resistance are evaluated under copper board mounted with free air conditions.



SP6850

Green-Mode PWM Controller

ELECTRICAL CHARACTERISTICS

(T_A=25°C, V_{CC}=15V, unless otherwise specified.)

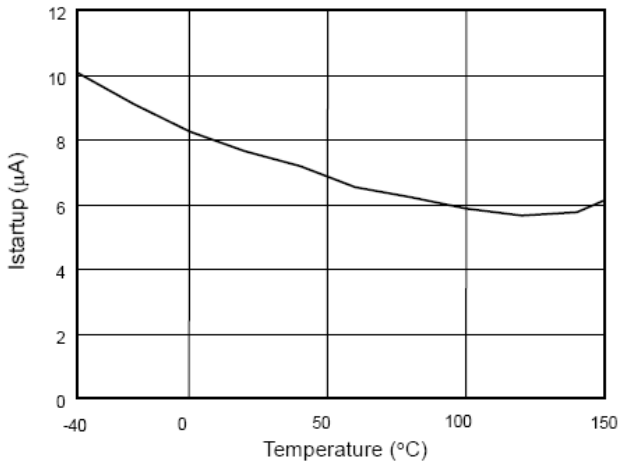
Symbol	Parameter	Conditions	Min.	Typ.	Max.	Unit
Supply Voltage (Vcc Pin)						
I _{stt}	Startup Current			8	20	uA
I _{op}	Operating Current	V _{COMP} = 3V		2	4	mA
UVLO (off)	Min. Operating Voltage		9.0	10.0	11.0	V
UVLO (on)	Start Threshold Voltage		15.0	16.0	17.0	V
OVP Level	Over Voltage Protection		28		36	V
Voltage Feedback (Comp Pin)						
I _{sc}	Short Circuit Current			2.2	3.0	mA
V _{op}	Open Loop Voltage			5.0		V
V _{TH(GM)}	Green Mode Threshold V _{COMP}			2.35		V
Oscillator (RT Pin)						
F _{osc}	Frequency	R _T =100KΩ	60.0	65.0	75.0	KHz
F _{osc(GM)}	Green Mode Frequency	F _s =65.0KHz		20		KHz
F _{dt}	Frequency Variation versus Temp. Deviation	(-40°C ~105°C)			3	%
F _{dv}	Frequency Variation versus V _{CC} Deviation	(V _{CC} =11V-25V)			1	%
Current Sensing (CS Pin)						
V _{cs(off)}	Maximum Input Voltage	SP6850BD8TG SP6850BS26RG	0.8	0.85	0.9	V
		SP6850AD8TG SP6850AS26RG	0.7	0.75	0.8	
Z _{cs}	Input impedance			50		KΩ
T _{PD}	Delay to Output			150		nS
Gate Driver Output (OUT Pin)						
V _{OL}	Output Low Level	V _{CC} =15V, I _o =20mA			1	V
V _{OH}	Output High Level	V _{CC} =15V, I _o =20mA	8			V
T _r	Rising Time	Load Cap=1000pF		50	200	nS
T _f	Falling Time	Load Cap=1000pF		30	120	nS



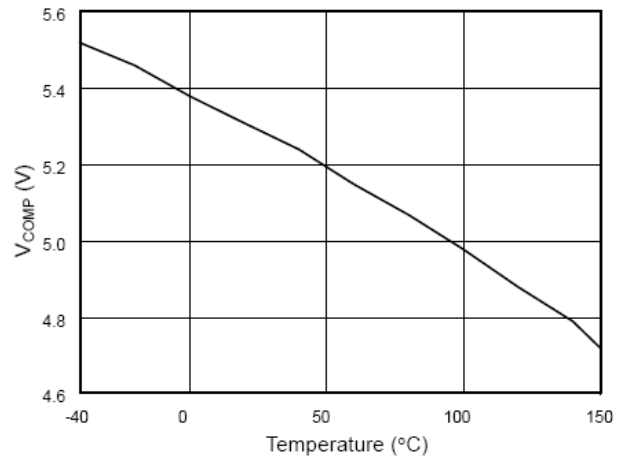
SP6850

Green-Mode PWM Controller

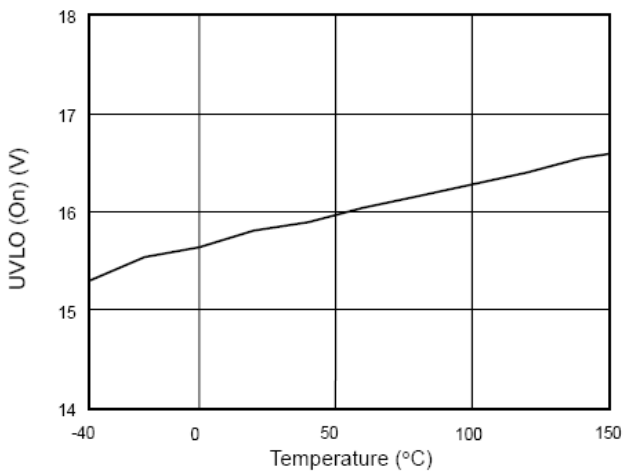
PERFORMANCE CHARACTERISTICS ($T_A=25^\circ\text{C}$, unless otherwise specified.)



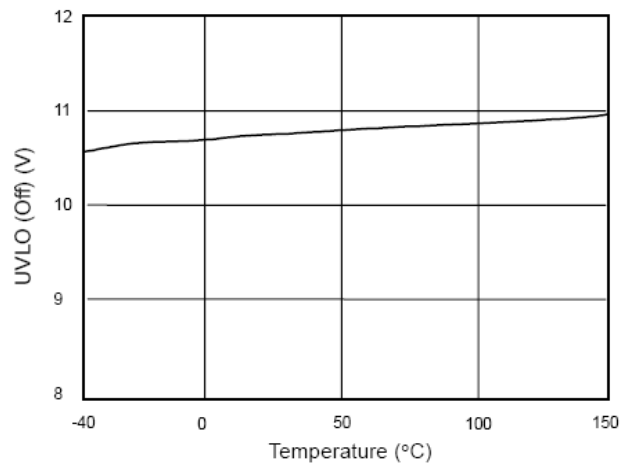
Startup Current (I_{startup}) vs. Temperature



V_{COMP} open loop voltage v.s. Temperature



UVLO (On) vs. Temperature



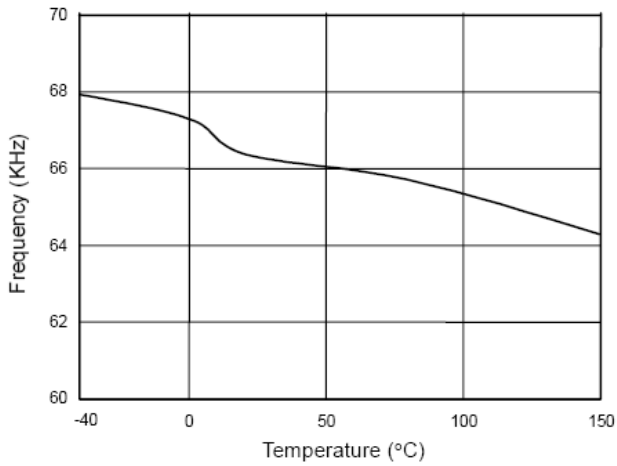
UVLO Off v.s. Temperature



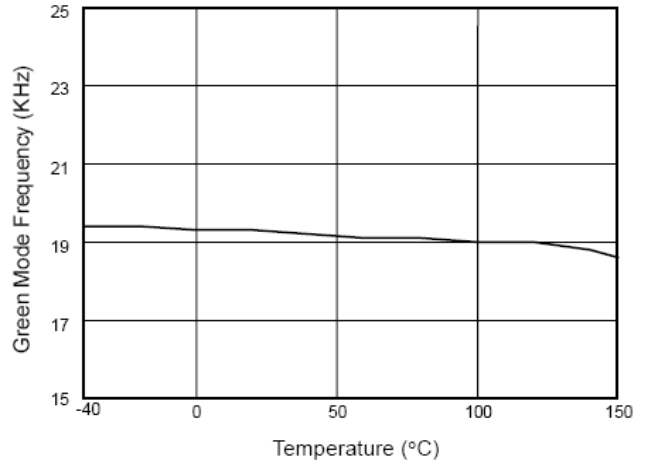
SP6850

Green-Mode PWM Controller

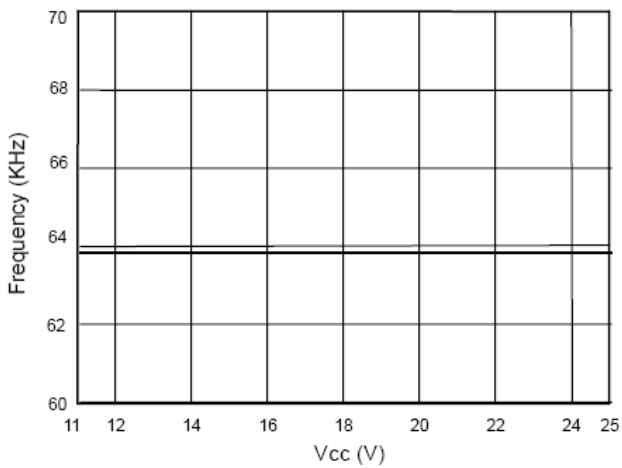
PERFORMANCE CHARACTERISTICS ($T_A=25^\circ\text{C}$, unless otherwise specified.)



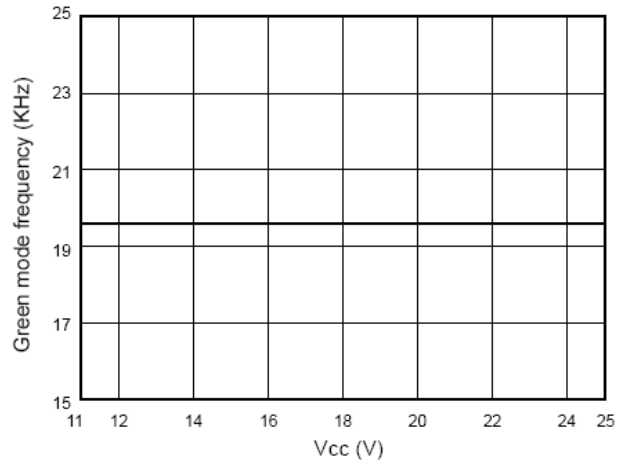
Frequency v.s. Temperature



Green Mode Frequency v.s. Temperature



Frequency v.s. Vcc



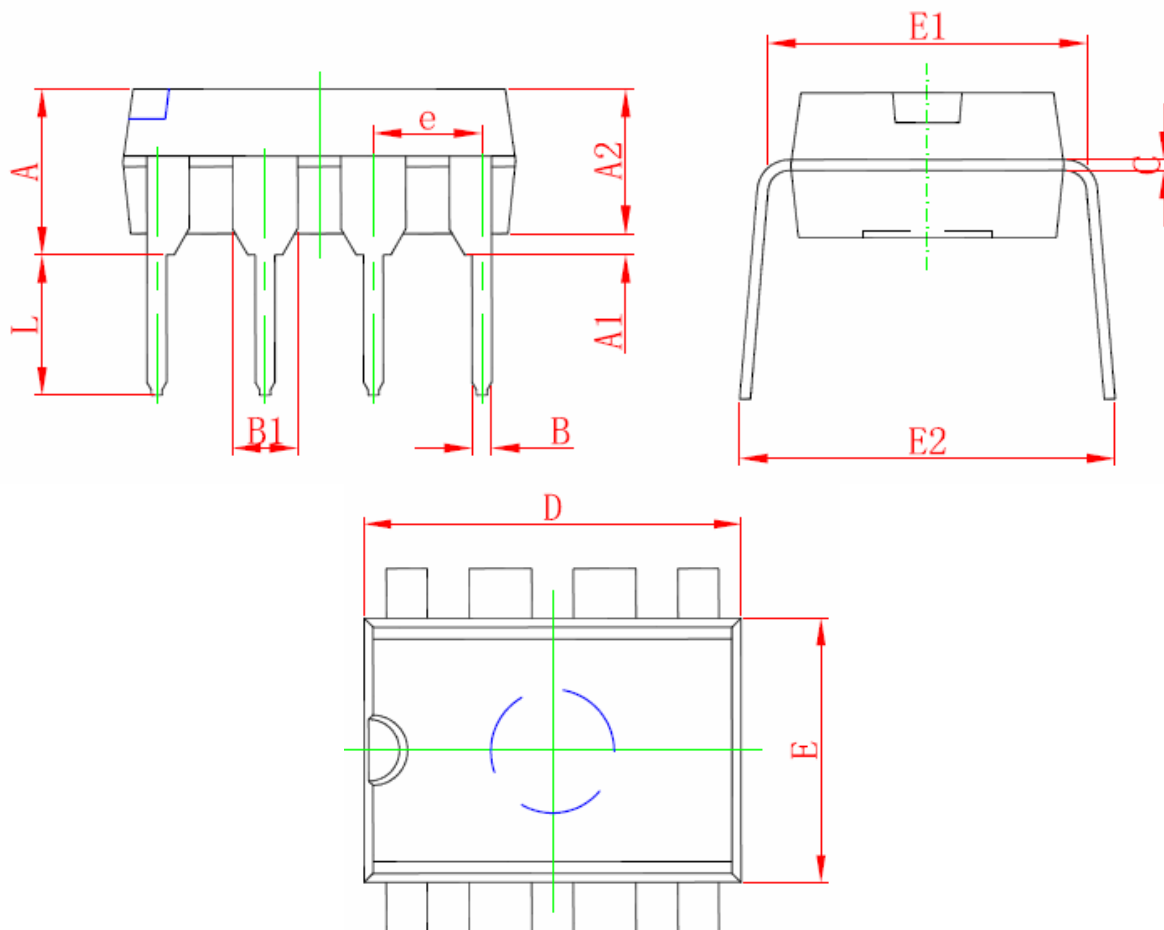
Green mode frequency v.s. Vcc



SP6850

Green-Mode PWM Controller

DIP- 8P PACKAGE OUTLINE



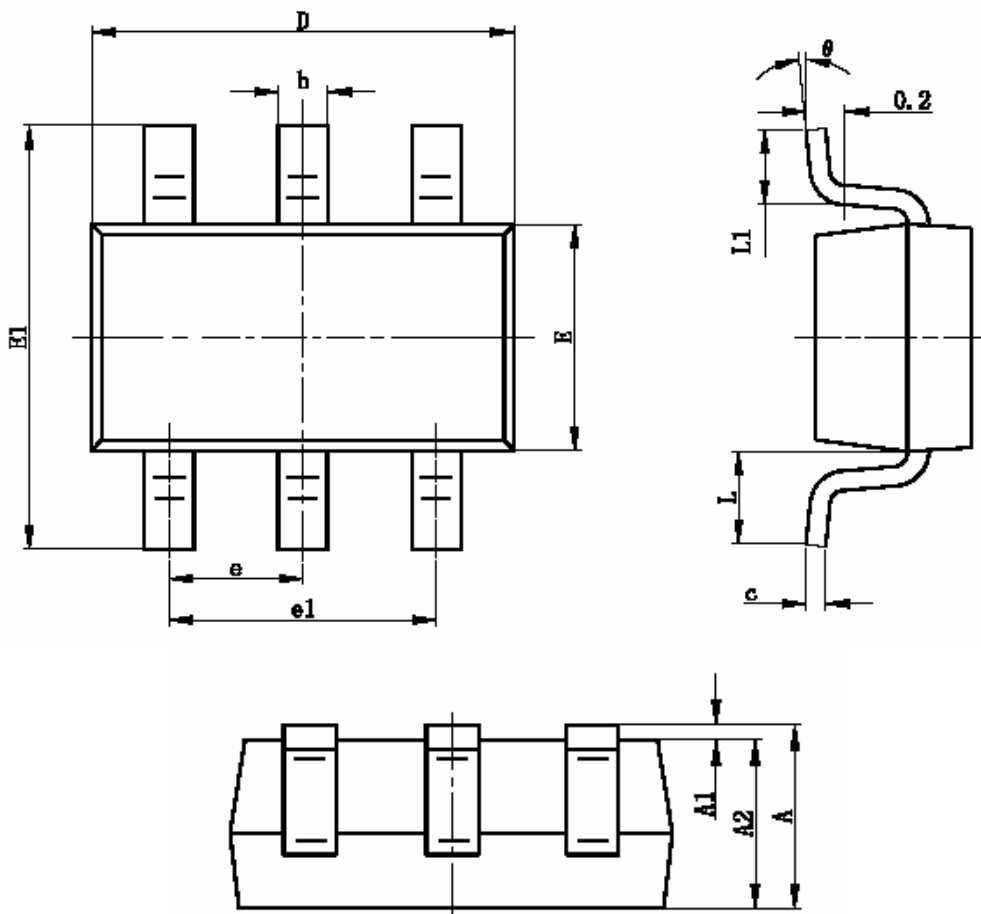
Symbol	Dimensions In Millimeters		Dimensions In Inches	
	Min	Max	Min	Max
A	3.710	4.310	0.146	0.170
A1	0.510		0.020	
A2	3.200	3.600	0.126	0.142
B	0.380	0.570	0.015	0.022
B1	1.524 (BSC)		0.060 (BSC)	
C	0.204	0.360	0.008	0.014
D	9.000	9.400	0.354	0.370
E	6.200	6.600	0.244	0.260
E1	7.320	7.920	0.288	0.312
e	2.540 (BSC)		0.100 (BSC)	
L	3.000	3.600	0.118	0.142
E2	8.400	9.000	0.331	0.354



SP6850

Green-Mode PWM Controller

SOT-23-6L PACKAGE OUTLINE



Symbol	Dimensions In Millimeters		Dimensions In Inches	
	Min	Max	Min	Max
A	1.050	1.250	0.041	0.049
A1	0.000	0.100	0.000	0.004
A2	1.050	1.150	0.041	0.045
b	0.300	0.400	0.012	0.016
c	0.100	0.200	0.004	0.008
D	2.820	3.020	0.111	0.119
E	1.500	1.700	0.059	0.067
E1	2.650	2.950	0.104	0.116
e	0.950TYP		0.037TYP	
e1	1.800	2.000	0.071	0.079
L	0.700REF		0.028REF	
L1	0.300	0.600	0.012	0.024
θ	0°	8°	0°	8°



SP6850

Green-Mode PWM Controller

Information provided is alleged to be exact and consistent. SYNC Power Corporation presumes no responsibility for the penalties of use of such information or for any violation of patents or other rights of third parties that may result from its use. No license is granted by allegation or otherwise under any patent or patent rights of SYNC Power Corporation. Conditions mentioned in this publication are subject to change without notice. This publication surpasses and replaces all information previously supplied. SYNC Power Corporation products are not authorized for use as critical components in life support devices or systems without express written approval of SYNC Power Corporation.

©The SYNC Power logo is a registered trademark of SYNC Power Corporation

©2004 SYNC Power Corporation – Printed in Taiwan – All Rights Reserved

SYNC Power Corporation

9F-5, No.3-2, Park Street

NanKang District (NKSP), Taipei, Taiwan, 115, R.O.C

Phone: 886-2-2655-8178

Fax: 886-2-2655-8468

<http://www.syncpower.com>