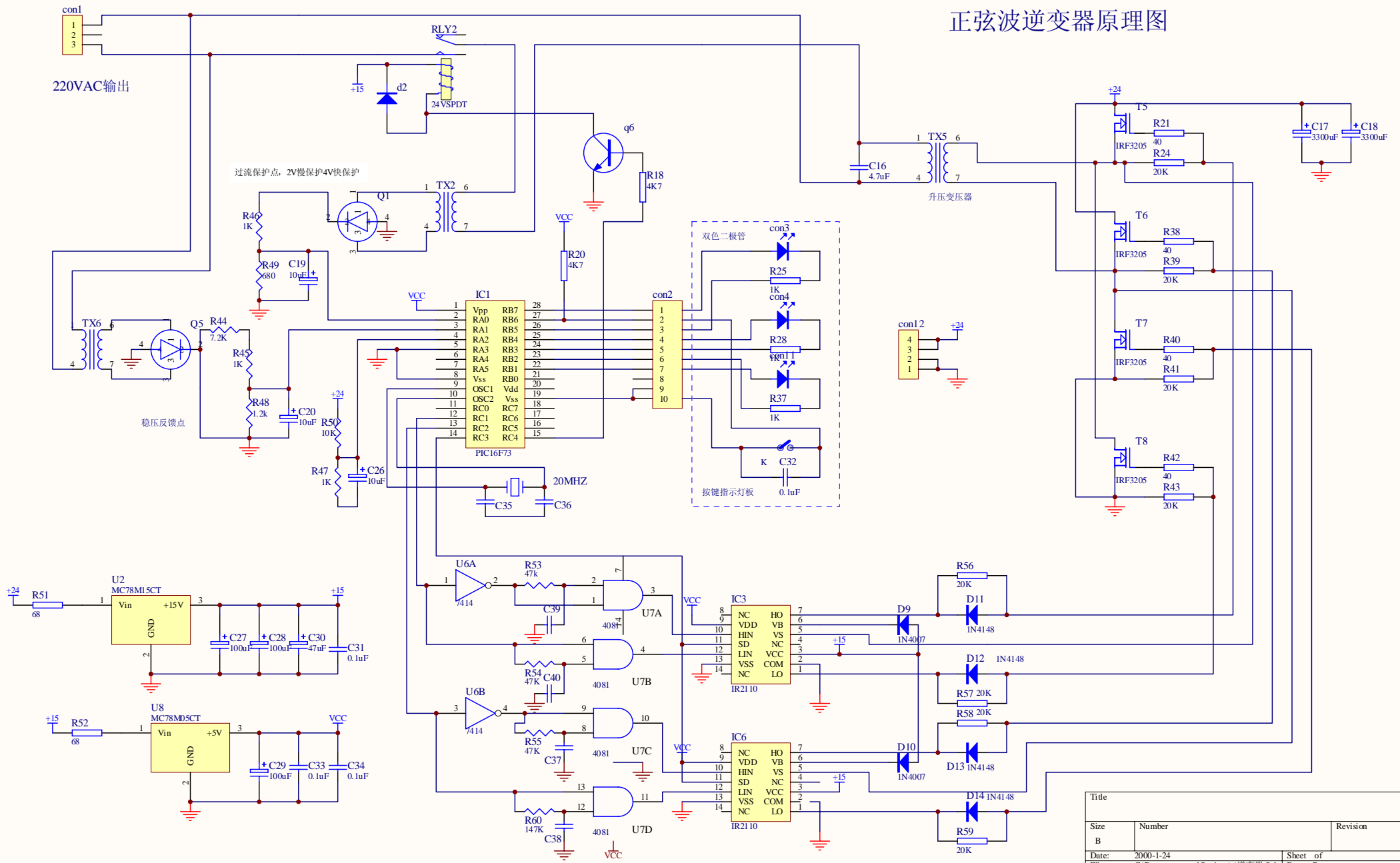


正弦波逆变器原理图



Title		
Size	Number	Revision
B		
Date:	2000-1-24	Sheet of
File:	C:\Documents and Settings\...\逆变器.Sch	Drawn By: