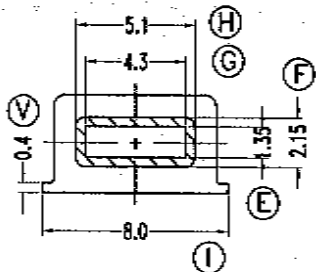
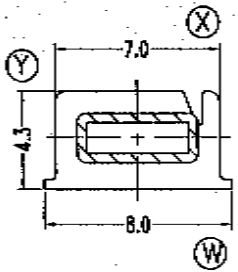
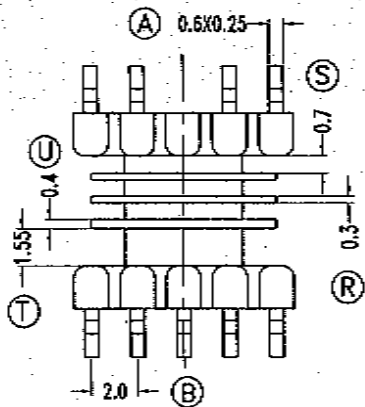
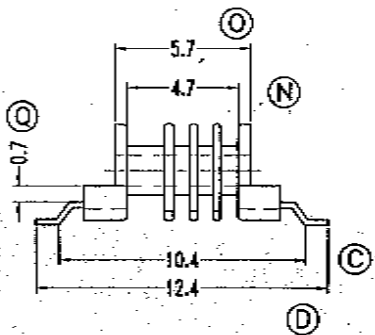
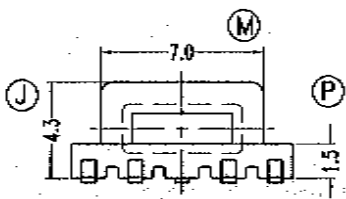
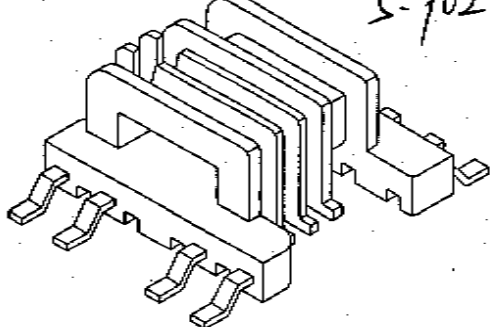
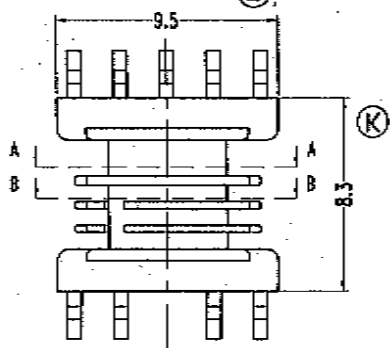


5-702



B-B SECTION

A-A SECTION