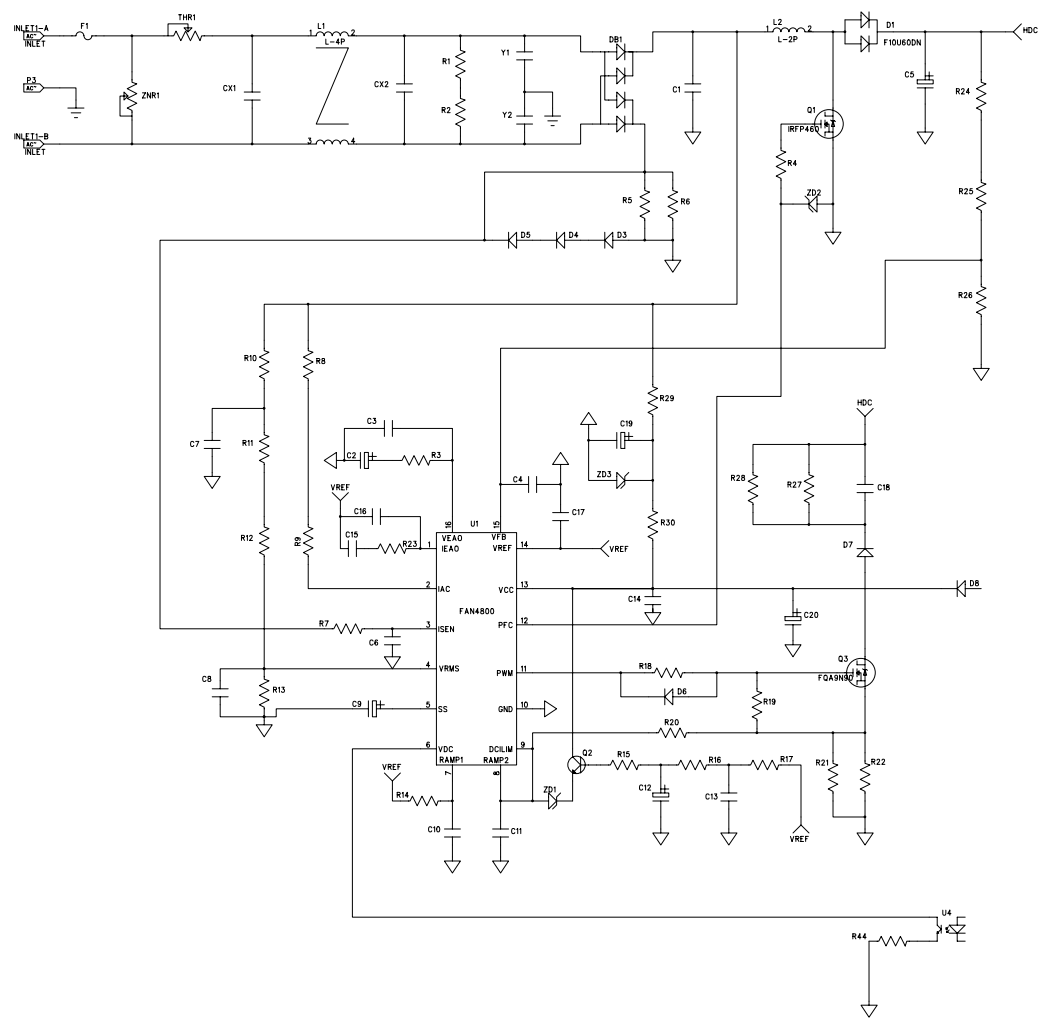


REVISION RECORD			
LTR	ECO NO:	APPROVED:	DATE:



DRAWN: Danny	DATED: 2006/11/13	COMPANY:	
CHECKED:	DATED:	Model Name:	
APPROVED:	DATED:	DRAWING NO:	REV:
RELEASED:	DATED:	SCALE:	SHEET: A2