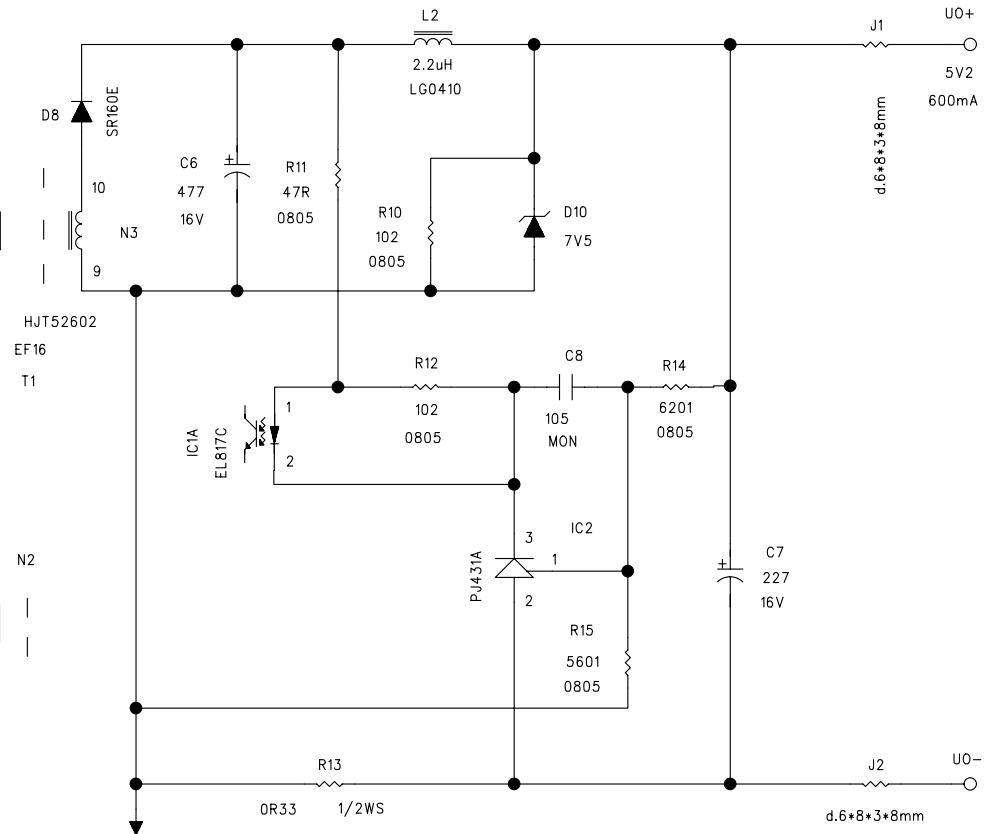


R=15 L=3
 C=8 T=1
 D=9 F1=1
 Q=2 PCB=1
 IC=2 J=2
 47



MODEL: HJN52602		COMPANY: HJ-JL	
DRAW BY:	DRAWING:	SIZE: A4	
DATE: 2006 11 22	SHELL:	REV.: A	
DESIGN:	CHECK:	APPROVE:	