

Description

The IP7135 is a constant current regulator for driving LEDs with low quiescent current and low dropout voltage. The current ranges from 100mA to 400mA with 10mA step.

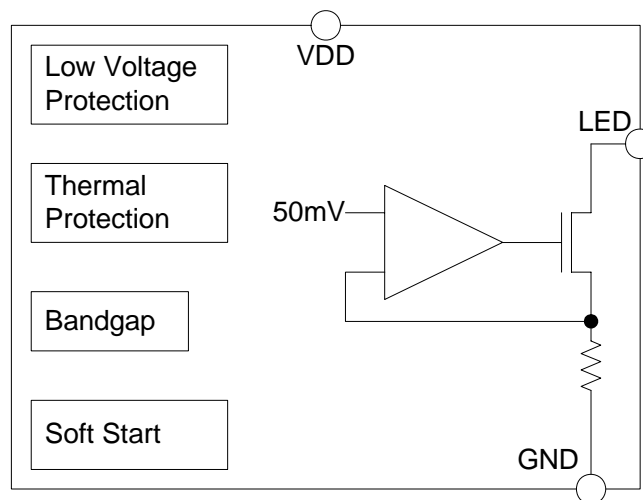
No external component is required to achieve a constant current LED driver.

Soft start, thermal protection and low voltage protection are also provided.

Applications

- Power Led driver

Block Diagram

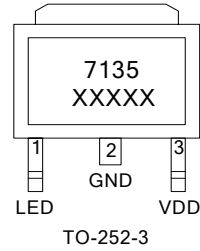
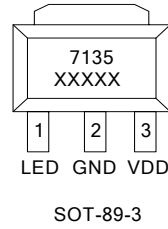


Features

- Sink current: 100mA to 400mA with 10mA step
- Power supply voltage: 2.7-6V
- Low drop out voltage: 100mV@350mA
- Low quiescent current: 100uA
- Thermal protection
- Soft start
- Low voltage protection: 2.5V
- SOT-89-3 and TO-252-3 packages

Pin Configuration

(Top View)



Absolute Maximum Ratings

| Type | Symbol | Description | Value | Unit |
|-------------------|-----------------|--|--------------|------|
| Voltage | V_{MAX} | Maximum voltage on VDD and LED pins | 8 | V |
| | $V_{MIN-MAX}$ | Voltage range on LED pin | -0.3~VDD+0.3 | V |
| Current | $I_{LED_{MAX}}$ | Maximum current on LED pin | 500 | mA |
| Power dissipation | $P_{SOT-89-3}$ | Maximum Power dissipation for SOT-89-3 package | 0.5 | W |
| | $P_{TO-252-3}$ | Maximum Power dissipation for TO-252-3 package | 0.8 | W |
| Thermal | $T_{MIN-MAX}$ | Operation temperature range | -20~85 | °C |
| | $T_{storage}$ | Storage temperature range | -40~165 | °C |
| ESD | V_{ESD} | ESD voltage for human body model | 2000 | V |

Electrical Characteristics

| Parameter | Symbol | Test Condition | Min | Typ | Max | Unit |
|------------------------|--------------------------|--|-----|-----|-----|------|
| Sink current range | | VDD=3.6V | 100 | | 400 | mA |
| VDD range | | I _{LED} =350mA | 2.7 | | 5.5 | V |
| Sink current accuracy | $\Delta I_{LED}/I_{LED}$ | | -5 | | 5 | % |
| Load regulation | | V _{LED} =0.2V to 3V VDD=3.6V | | | 2 | mA/V |
| Line regulation | | VDD=3V to 5.5V | | | 2 | mA/V |
| Output dropout voltage | V_{DO} | | | 100 | | mV |
| Supply current | I_{DD} | | | 100 | | μA |
| Low voltage protection | | | 2.3 | 2.5 | 2.7 | V |

Typical Application Circuit

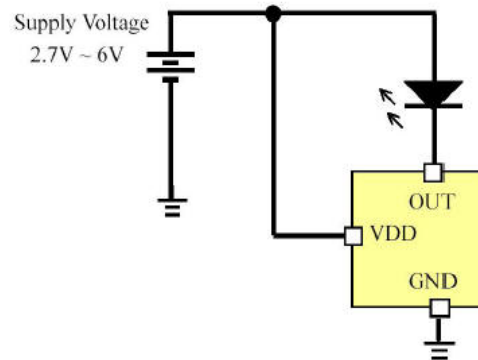


Figure1. IP7135 for Low voltage application (Drive 1W LED)

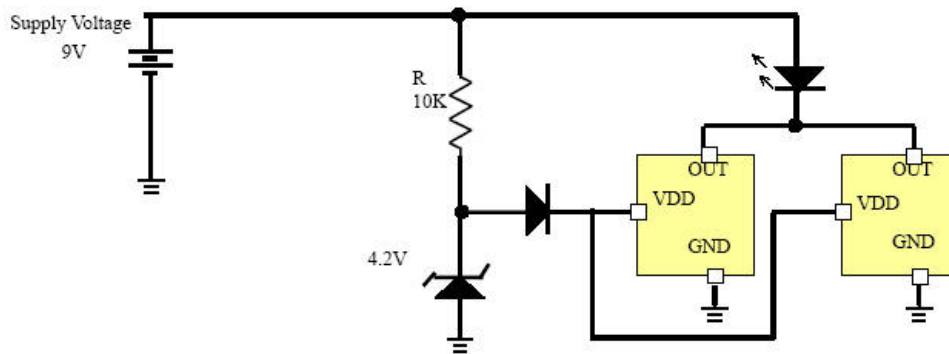


Figure1. IP7135 for 3W LED application

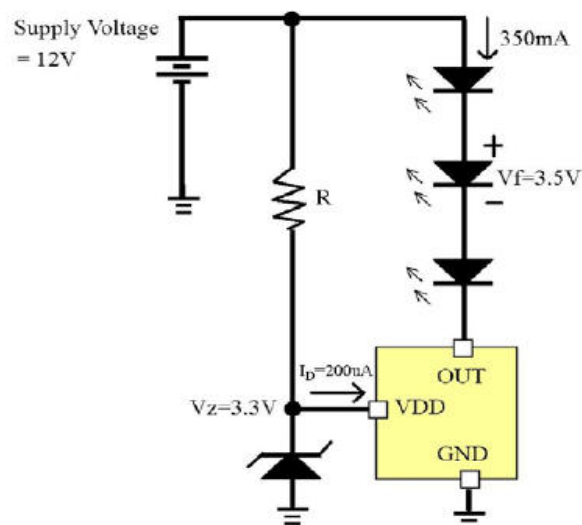
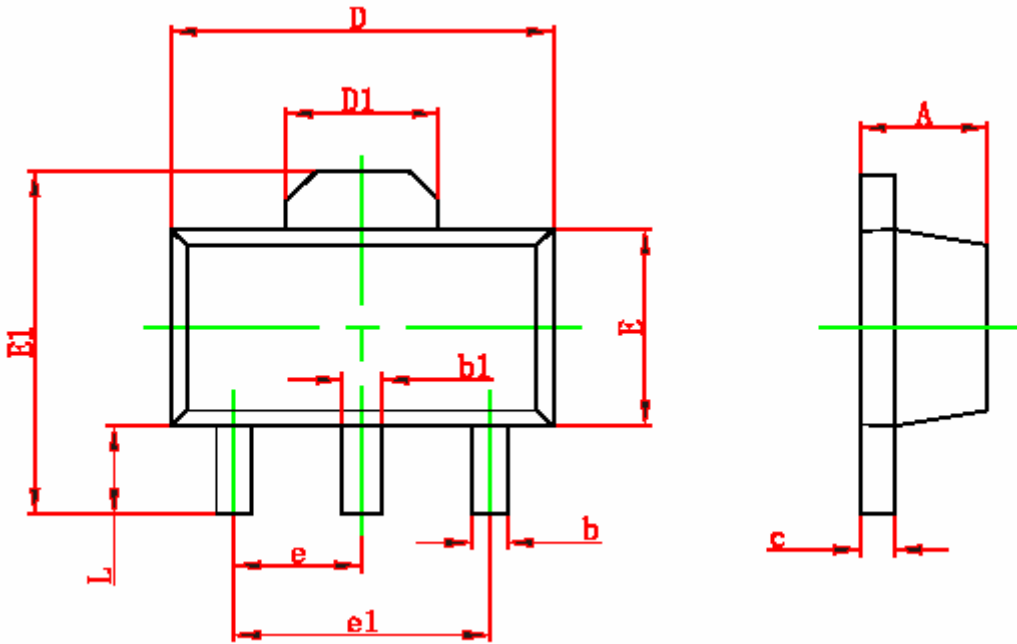


Figure1. IP7135 for High voltage application

Package

1. SOT-89-3 package outline dimensions



| Symbol | Dimensions In millimeter | | Dimensions In Inches | |
|--------|--------------------------|-------|----------------------|-------|
| | Min | Max | Min | Max |
| A | 1.400 | 1.600 | 0.055 | 0.063 |
| b | 0.320 | 0.520 | 0.013 | 0.020 |
| b1 | 0.400 | 0.580 | 0.016 | 0.023 |
| c | 0.350 | 0.440 | 0.014 | 0.017 |
| D | 4.400 | 4.600 | 0.173 | 0.181 |
| D1 | 1.550 REF | | 0.061 REF | |
| E | 2.300 | 2.600 | 0.091 | 0.102 |
| E1 | 3.940 | 4.250 | 0.155 | 0.167 |
| e | 1.500 TYP | | 0.060 TYP | |
| e1 | 3.000 TYP | | 0.118 TYP | |
| L | 0.900 | 1.200 | 0.035 | 0.047 |

2. TO-252-3 package outline dimensions

Unit: mm

