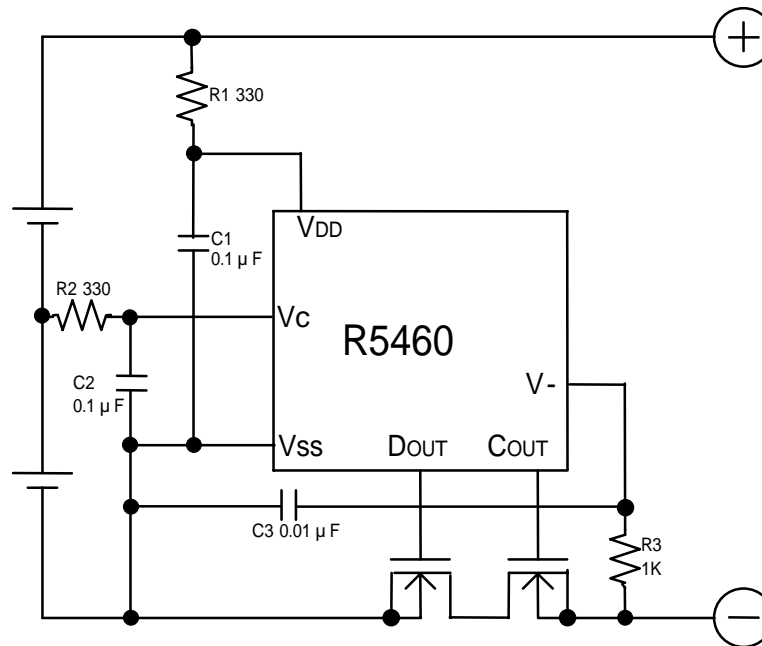


New Recommended Circuit for R5460



R1, R2, C1 and C2 stabilize a supply voltage to the R5460xxxxxx. A recommended R1, R2 value is less than 1K . A larger value of R1 and R2 makes the detection voltage shift higher because of some conduction current in the R5460xxxxxx. To stabilize the operation, the value of C1 and C2 should be equal or more than 0.01 μ F.

R1 and R3 can operate also as parts for current limit circuit against reverse charge or applying a charger with excess charging voltage beyond the absolute maximum rating of the R5460xxxxxx, the battery pack. Small value of R1 and R3 may cause over-power consumption rating of power dissipation of the R5460xxxxxx. Thus, the total value of 'R1+R3' should be equal or more than 1K .

If R3 value is set too large, after detecting over-discharge, release operation by connecting a charger may be impossible, our recommendation value as R3 is 3K or less.

To stabilize the operation of the IC, use 0.01 μ F or more capacitor as C3.

