



SP1937 DC-DC Step-Up Converter for White LED

DESCRIPTION

The SP1937 is a step-up DC/DC converter for white LED driver with constant current. The device can driver one to four LEDs in series from a single cell Lithium Ion battery. Internal functions include current limiting; thermal shutdown and soft-start to prevent damage operate status. The SP1937 DC/DC converter operates at 1.2MHz and low output capacitor as small as 0.22uF; apply to Lithium-Ion powered systems. A low 95mV (Typ) reference voltage minimizes power loss in the current setting resistor for better efficiency.

APPLICATIONS

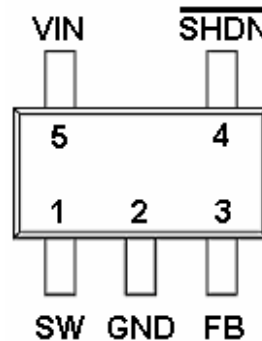
- Battery Power Equipment
- Notebook Computers
- PDA
- Cellular Phone
- Digital Cameras
- MP3 Players
- GPS Receivers

FEATURES

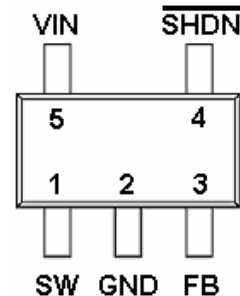
- ◆ Fast 1.2MHz Switching Frequency
- ◆ High Efficiency up to 85%
- ◆ Drives up to Four LEDs From 3.2V Supply
- ◆ Low Quiescent Current
- ◆ Disconnects LEDs in Shutdown Mode
- ◆ Internal Over Temperature and Current Limiting Shutdown Function
- ◆ 36V Rugged Bipolar Switch
- ◆ Small Package SOT-23-5L & SOT-353

PIN CONFIGURATION

SOT-23-5L

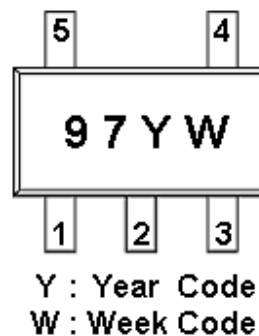


SOT-353 (SC-70-5L)

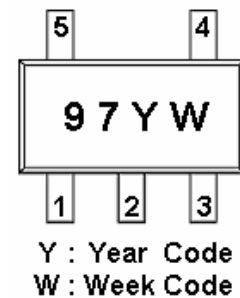


PART MARKING

SOT-23-5L



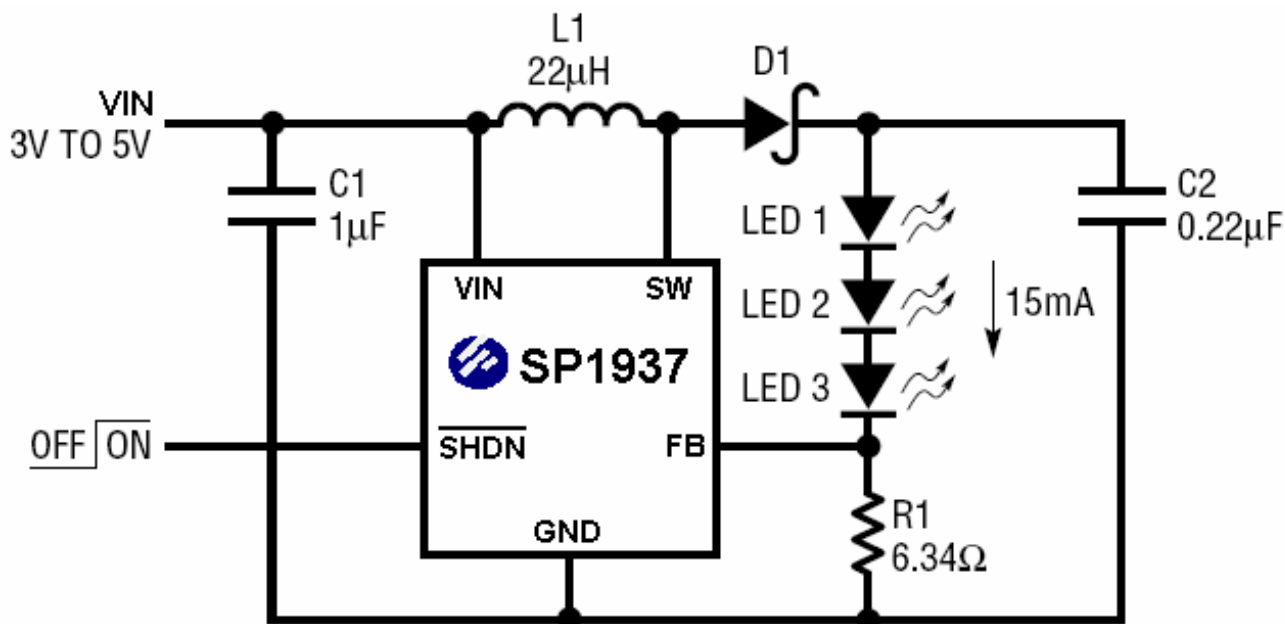
SOT-353 (SC-70-5L)





SP1937 DC-DC Step-Up Converter for White LED

TYPICAL APPLICATION CIRCUIT



PIN DESCRIPTION

SP1937S25RG

Pin	Symbol	Description
1	SW	Switch Pin.
2	GND	Ground Pin
3	FB	Feedback Pin.
4	SHDN	Shutdown Pin. Active-low enable
5	VIN	Supply Voltage Input

SP1937S36RG

Pin	Symbol	Description
1	SW	Switch Pin.
2	GND	Ground Pin
3	FB	Feedback Pin.
4	SHDN	Shutdown Pin. Active-low enable
5	GND	Ground Pin
6	VIN	Supply Voltage Input

ORDERING INFORMATION

Part Number	Package	Part Marking
SP1937S25RG	SOT-23-5L	97YW
SP1937S35RG	SOT-353 (SC-70-5L)	97YW

※ Week Code : A ~ Z (1 ~ 26) ; a ~ z (27 ~ 52)

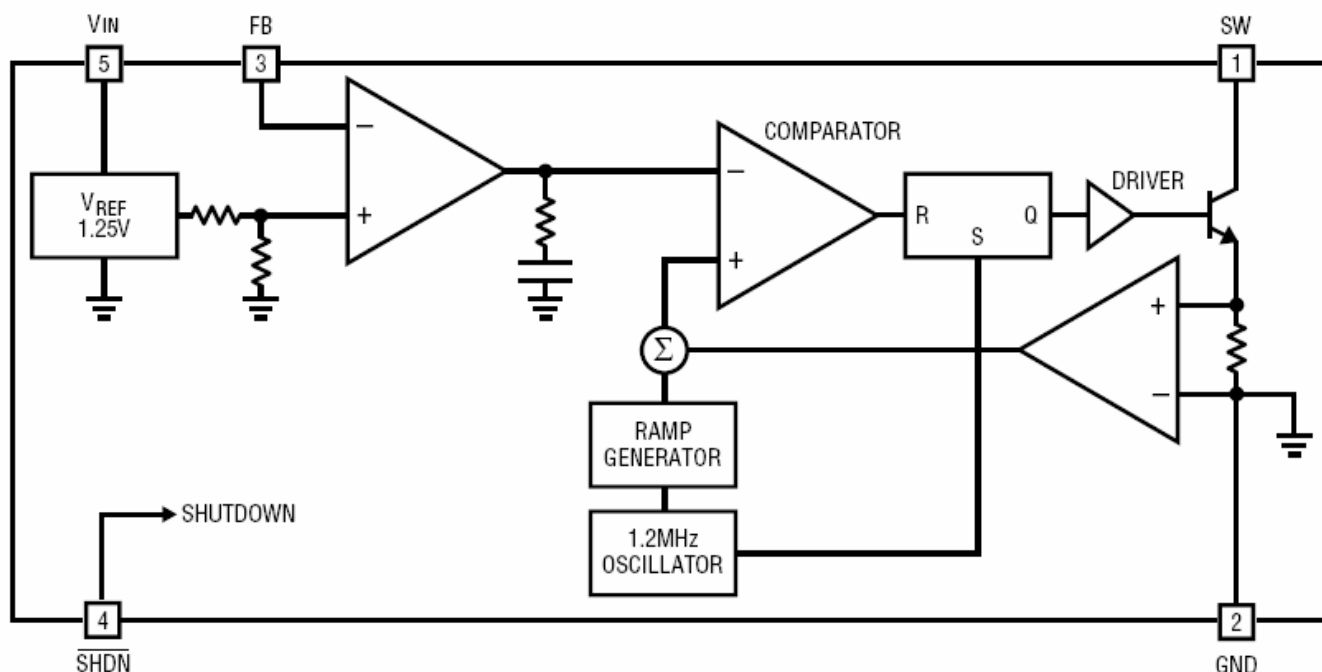
※ SP1937S25RG : Tape Reel ; Pb - Free

※ SP1937S35RG : Tape Reel ; Pb - Free



SP1937 DC-DC Step-Up Converter for White LED

BLOCK DIAGRAM



ABSOLUTE MAXIMUM RATINGS

(T_A=25°C Unless otherwise specified)

Parameter	Symbol	Value	Unit
DC Supply Voltage	V _{IN}	10	V
SW Voltage	V _{SW}	36	V
FB Voltage	V _{FB}	10	V
SHDN Voltage	V _{SHDN}	10	V
Operating Temperature	T _{OPR}	-40~85	°C
Maximum Junction Temperature	T _{J(Max)}	125	°C
Storage Temperature	T _S	-65~150	°C

The IC has a protection circuit against static electricity. Do not apply high static electricity or high voltage that exceeds the performance of the protection circuit to the IC.



SP1937

DC-DC Step-Up Converter for White LED

ELECTRICAL CHARACTERISTICS

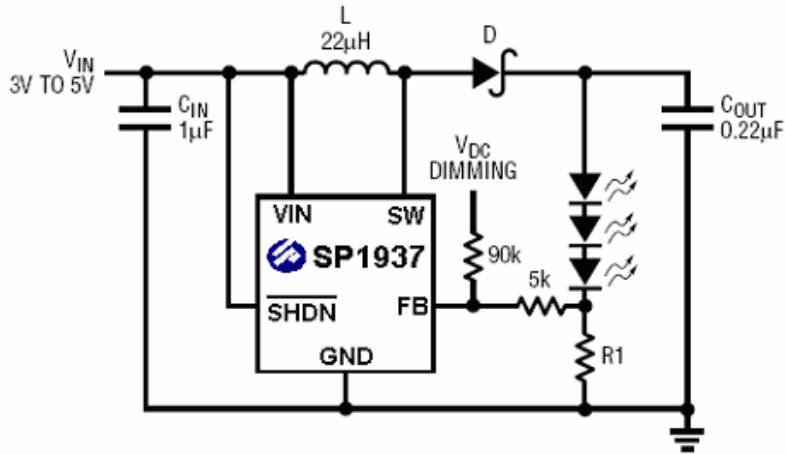
($T_A=25^{\circ}\text{C}$, $V_{\text{IN}}=3\text{V}$, $V_{\text{SHDN}}=3\text{V}$, Unless otherwise specified)

Parameter	Conditions	Min.	Typ.	Max.	Unit
Operating Voltage		2.5		9.0	V
Feedback Voltage	$I_{\text{sw}}=100\text{mA}$, Duty Cycle = 66%	86		104	mV
FB Pin Bias Current				150	nA
Supply Current			2.8	3.5	mA
	$V_{\text{SHDN}} = 0\text{V}$		0.1	1.0	μA
Switching Frequency		0.8	1.2	1.6	MHz
Maximum Duty Cycle			85		%
Switch Current Limit			320		mA
Switch Leakage Current	$V_{\text{sw}}= 5\text{V}$		0.01	5	μA
Switch V_{cesat}	$I_{\text{sw}} = 200\text{mA}$		150		mV
SHDN Voltage High		1.5			V
SHDN Voltage Low				0.4	V
SHDN Pin Bias Current			90		μA

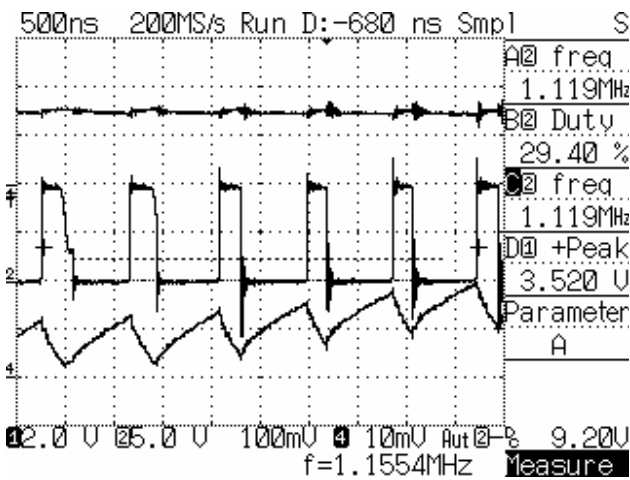


SP1937 DC-DC Step-Up Converter for White LED

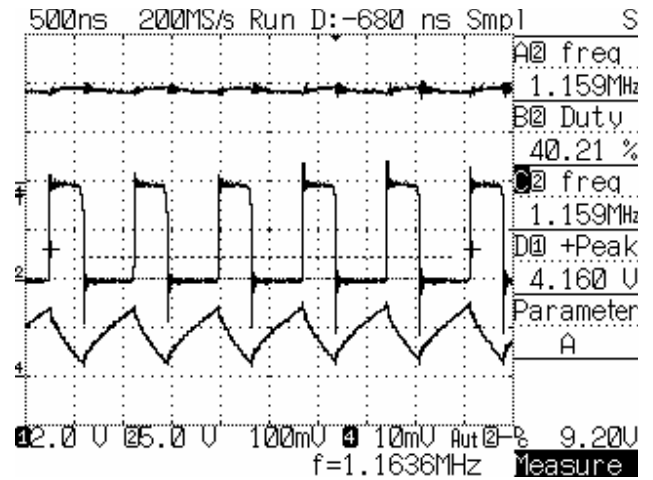
APPLICATION INFORMATION



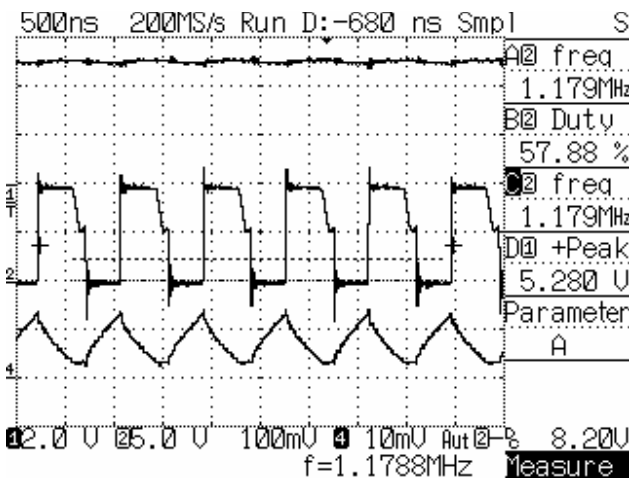
CH1: VCC / CH2: Vsw / CH3: Inductor current / R1= 6.8Ω



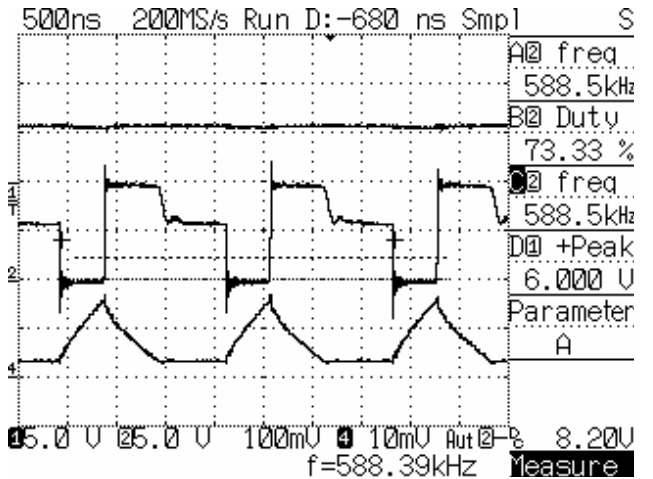
Vin=3V ; Vout=8.972V ; Iout=14.624mA



Vin=3.75V ; Vout=8.957V ; Iout=14.698mA



Vin=5V ; Vout=8.963V ; Iout=14.869mA



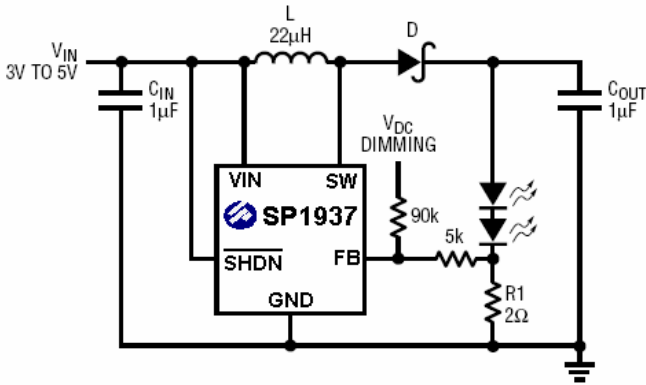
Vin=5.5V ; Vout=8.959V ; Iout=14.836mA



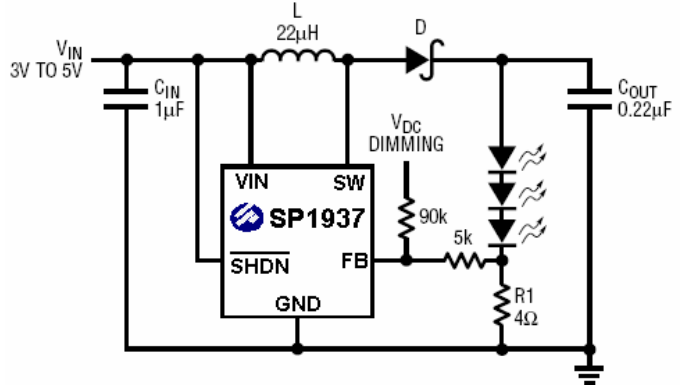
SP1937 DC-DC Step-Up Converter for White LED

APPLICATION CIRCUIT

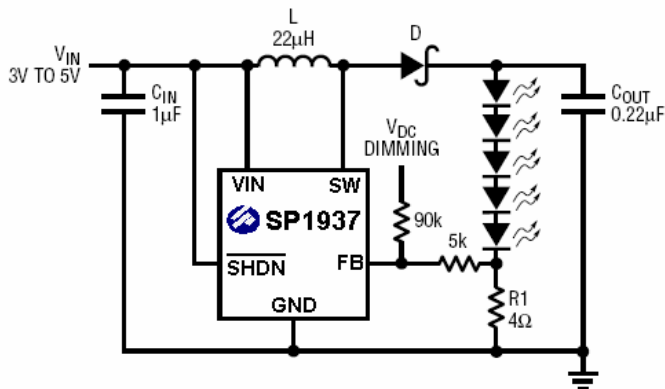
Li-Ion to Two White LEDs



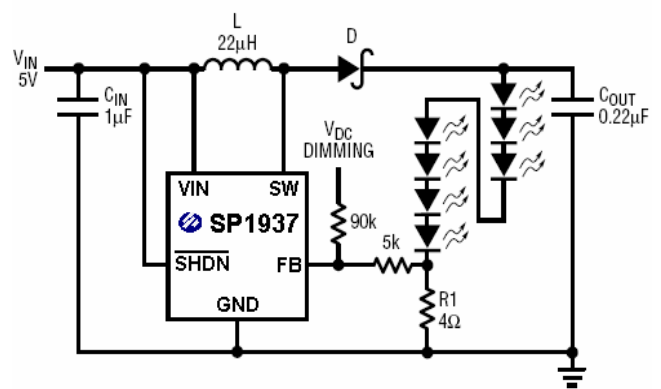
Li-Ion to Three White LEDs



Li-Ion to Five White LEDs



5V to Seven White LEDs

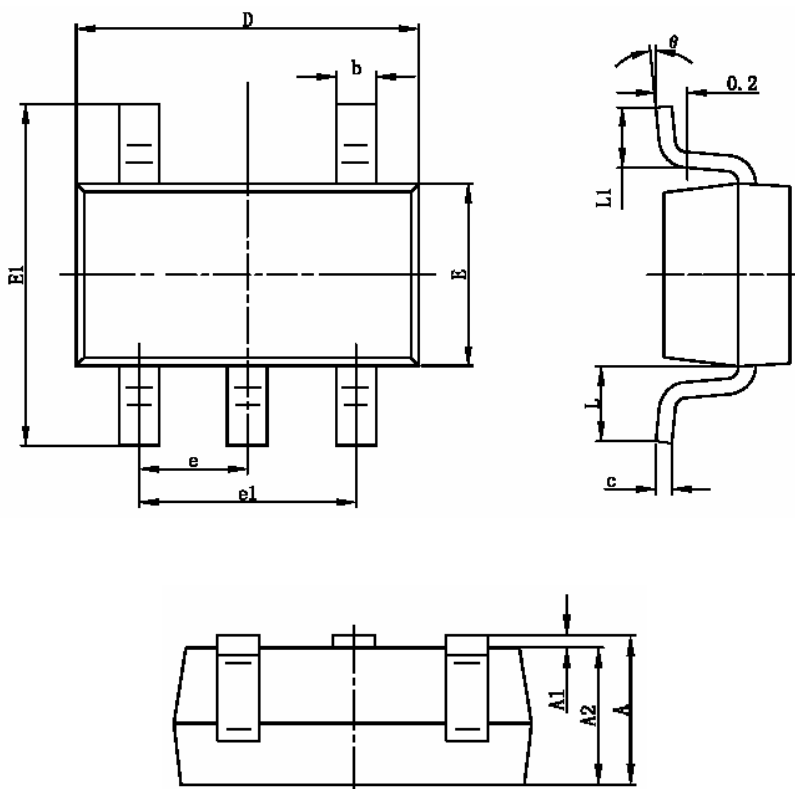




SP1937

DC-DC Step-Up Converter for White LED

SOT-23-5L PACKAGE OUTLINE



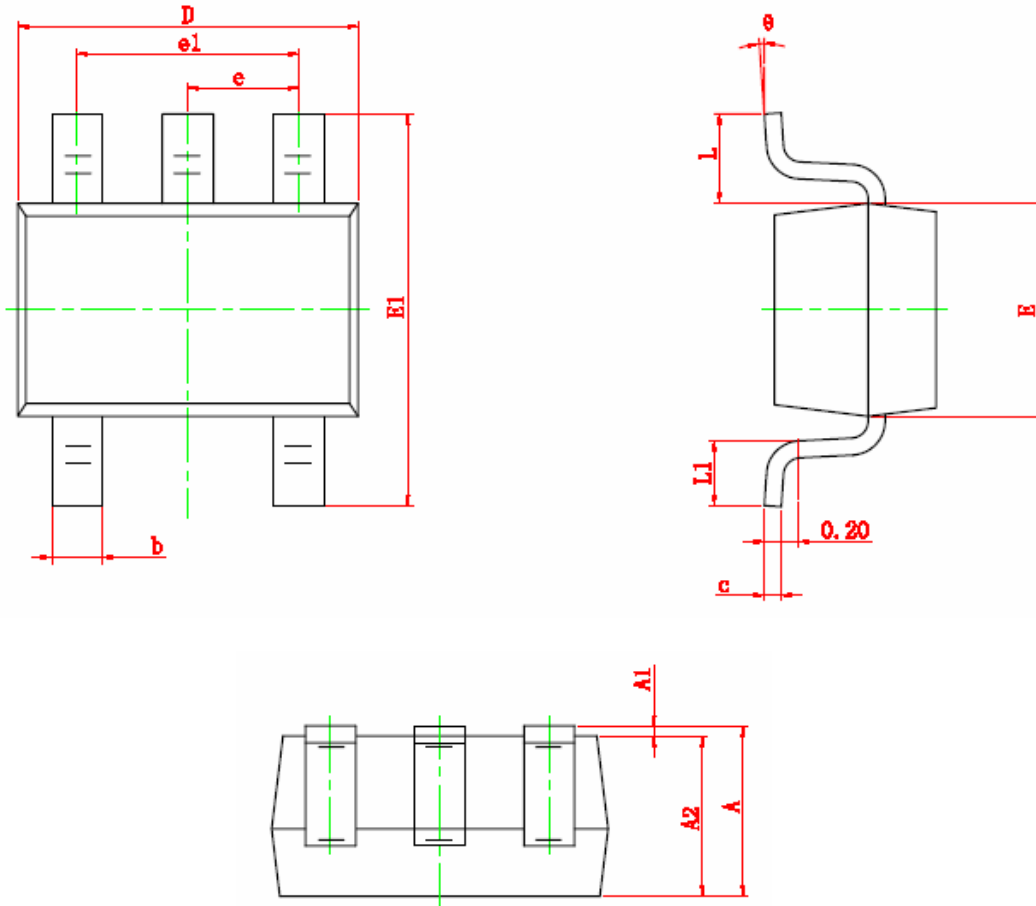
Symbol	Dimensions In Millimeters		Dimensions In Inches	
	Min	Max	Min	Max
A	1.050	1.250	0.041	0.049
A1	0.000	0.100	0.000	0.004
A2	1.050	1.150	0.041	0.045
b	0.300	0.400	0.012	0.016
c	0.100	0.200	0.004	0.008
D	2.820	3.020	0.111	0.119
E	1.500	1.700	0.059	0.067
E1	2.650	2.950	0.104	0.116
e	0.950TYP		0.037TYP	
e1	1.800	2.000	0.071	0.079
L	0.700REF		0.028REF	
L1	0.300	0.600	0.012	0.024
θ	0°	8°	0°	8°



SP1937

DC-DC Step-Up Converter for White LED

SOT-353 PACKAGE OUTLINE



Symbol	Dimensions In Millimeters		Dimensions In Inches	
	Min	Max	Min	Max
A	0.900	1.100	0.035	0.043
A1	0.000	0.100	0.000	0.004
A2	0.900	1.000	0.035	0.039
b	0.150	0.350	0.006	0.014
c	0.080	0.150	0.003	0.006
D	2.000	2.200	0.079	0.087
E	1.150	1.350	0.045	0.053
E1	2.150	2.450	0.085	0.096
e	0.650 TYP		0.026 TYP	
e1	1.200	1.400	0.047	0.055
L	0.525 REF		0.021 REF	
L1	0.260	0.460	0.010	0.018
θ	0°	8°	0°	8°



SP1937

DC-DC Step-Up Converter for White LED

Information provided is alleged to be exact and consistent. SYNC Power Corporation presumes no responsibility for the penalties of use of such information or for any violation of patents or other rights of third parties which may result from its use. No license is granted by allegation or otherwise under any patent or patent rights of SYNC Power Corporation. Conditions mentioned in this publication are subject to change without notice. This publication surpasses and replaces all information previously supplied. SYNC Power Corporation products are not authorized for use as critical components in life support devices or systems without express written approval of SYNC Power Corporation.

©The SYNC Power logo is a registered trademark of SYNC Power Corporation

©2004 SYNC Power Corporation – Printed in Taiwan – All Rights Reserved

SYNC Power Corporation

9F-5, No.3-2, Park Street

NanKang District (NKSP), Taipei, Taiwan 115

Phone: 886-2-2655-8178

Fax: 886-2-2655-8468

<http://www.syncpower.com>